

This Quick Start Guide applies to the following Brooks products:

- MT3809G
- MT3810G
- MT3750

In an effort to be more eco-friendly, Brooks is no longer supplying printed instruction manuals with product shipments to reduce our paper consumption. For your product's complete instruction manual, please download it at [www.BrooksInstrument.com/Documentation](http://www.BrooksInstrument.com/Documentation)

Sincerely,  
Brooks Instrument

Dear Customer,

Thank you for your purchase. We appreciate this opportunity to service your flow measurement and control needs with a Brooks Instrument device. Brooks' award-winning meters and controllers consistently rank at the top of their category for accuracy, reliability and user preference, as judged by the audience that matters - real users of flow instrumentation, like you.

But Brooks' products are only half of the story. You are backed by Brooks' unsurpassed local technical expertise in virtually every corner of the planet. Your local Brooks product and application specialist is truly your "partner in flow". They have been extensively trained to help you select the optimal solutions for your flow measurement or control needs and offer years of experience solving application problems just like yours.

Should you require any additional information concerning Brooks' products and services, please contact your local Brooks Sales and Service office listed on the back cover of this guide.

Visit us online at [www.BrooksInstrument.com](http://www.BrooksInstrument.com)

**Global Headquarters**  
**Brooks Instrument**  
 407 West Vine Street  
 Hatfield, PA 19440-0903 USA  
 Toll-Free (USA): 888-554-FLOW  
 Tel (215) 362 3700  
 Fax (215) 362 3745  
[BrooksAm@BrooksInstrument.com](mailto:BrooksAm@BrooksInstrument.com)

A list of all Brooks Instrument locations and contact details can be found at [www.BrooksInstrument.com](http://www.BrooksInstrument.com)

Brooks is a trademark of Brooks Instrument, LLC.  
 All other marks are property of their respective owners.

PN: 541B133AAG/D  
 Reference: 834z986



© Copyright 2017, Brooks Instrument, LLC,  
 All rights reserved. Printed in USA.

**Read this page before proceeding!**

**WARNING**

Do not operate this equipment in excess of the specifications listed on the meter. Failure to heed this warning can result in serious personal injury and/or damage to the equipment.

If the inlet and outlet valves adjacent to the flowmeter are to be closed for any reason, the flowmeter must be completely drained. Failure to do so may result in thermal expansion of the liquid which can cause rupture of the meter and possible personal injury.

**CAUTION**

Care must be taken in the system plumbing to this instrument to prevent sudden excessive pressure or flow surges. Protective devices should be installed upstream from this instrument, such as flow controllers, pressure regulators, pressure snubbers and rupture discs.

If this instrument contains electronic components it is susceptible to damage by static electricity. Proper handling procedures must be observed during the removal, installation or other handling of the circuit boards or devices.

If this instrument contains electronic components consult the complete instruction manual for proper wiring.

X-VA-MetalTube-QS-eng  
 August, 2017  
 PN: 541B133AAG/D

**Quick Start Guide**

**Armored Variable Area Flow Meters**

**Variable Area, Armored**



## Installation (See Figures 1 and 2)

- Carefully remove the covers from each end of the flowmeter.
- Install the flowmeter with the inlet at the bottom and the outlet at the top.
- When installing the flowmeter in the process line, follow accepted plumbing practices for flanged or threaded fittings.
- Install the flowmeter within 5° of true vertical. Use of a level is recommended to determine the proper alignment.
- Installation of a bypass piping arrangement is recommended, see Figures 1 and 2 Typical Flowmeter Installations. Bypass piping permits the meter to be isolated from the flow for servicing and cleaning.

### Models MT3809G and MT3810G

#### Pressure Equipment Directive (2014/68/EU)

Note: Equipment falls under Sound Engineering Practice (SEP) or Categories I, II or III.

### Model MT3750

#### Pressure Equipment Directive (2014/68/EU)

Note: Equipment falls under Sound Engineering Practice (SEP) according to the directive.

It is recommended that a final leak test of the system plumbing and the meter be performed before subjecting it to the process fluid.

**NOTE: If the device includes a Transmitter or Alarm, please reference the complete instruction manual for proper installation instructions.**

4

## Installation

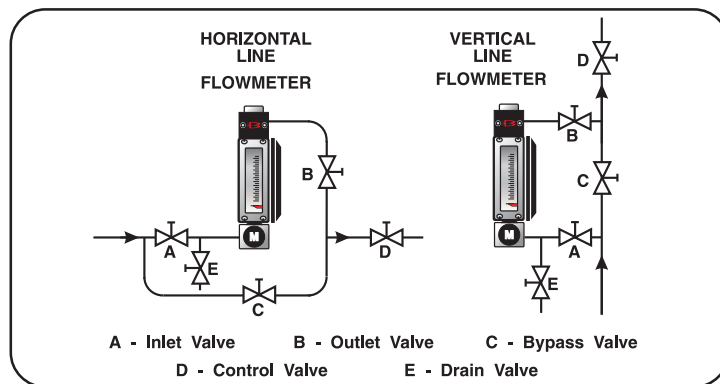


Figure 1 Typical Flowmeter Installation

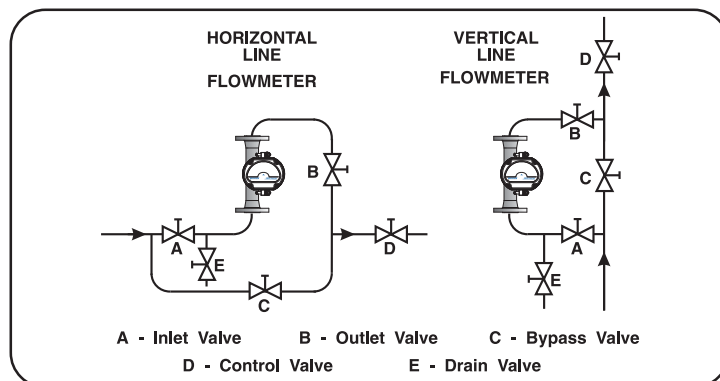


Figure 2 Typical Flowmeter Installation

5

## Operation

After the flowmeter has been installed in the flow system, it is ready for operation. An optional built-in needle control valve may be provided to control the flow through the flowmeter. These control valves are designed for control. Excessive tightening may damage the valve seat and limit its effectiveness as a control valve. If tight shut-off is required, it is recommended that a separate shut-off valve is installed in the process line immediately before the flowmeter.

This Quick Start Guide applies to the following Brooks product(s):

- MT3809G
- MT3810G
- MT3750

In an effort to be more eco-friendly, Brooks is no longer supplying printed instruction manuals with product shipments to reduce our paper consumption.

For your product's complete instruction manual, please download it at [www.BrooksInstrument.com/Documentation](http://www.BrooksInstrument.com/Documentation)

6

## Equipment Receipt and Return Procedures

### Receipt of Equipment

If the packing case is damaged, the local carrier should be notified at once regarding their liability. Carefully remove the equipment from the packing case and inspect for damage or missing parts. If damaged, please contact Brooks Instrument at one of the locations listed on the back of this Quick Start Guide.

### Return Shipment

Please note that prior to returning any instrument to the factory Brooks Instrument requires the completion of Form RPR003-1, a Brooks Instrument Decontamination Statement, as well as a Materials Safety Data Sheet (MSDS) for fluid(s) used in the instrument. Copies of these forms can be found online at [www.brooksinstrument.com/en/service-support](http://www.brooksinstrument.com/en/service-support) along with complete details on how to process your return shipment or you can contact your nearest Brooks location for the necessary forms and instruction.

7