

INDUSTRIAL THERMOMETERS

Sky Blue Fill

Economy Line

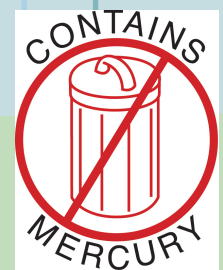
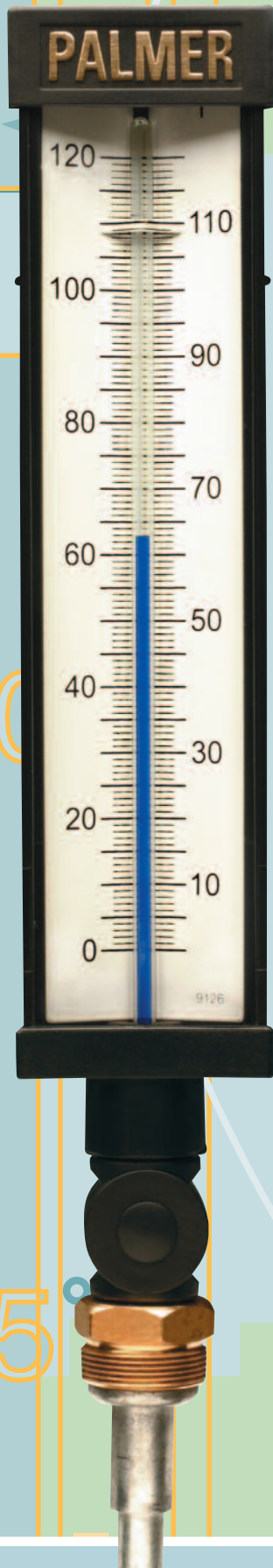
New! Solar Digital

Classic Line

Prover Tank

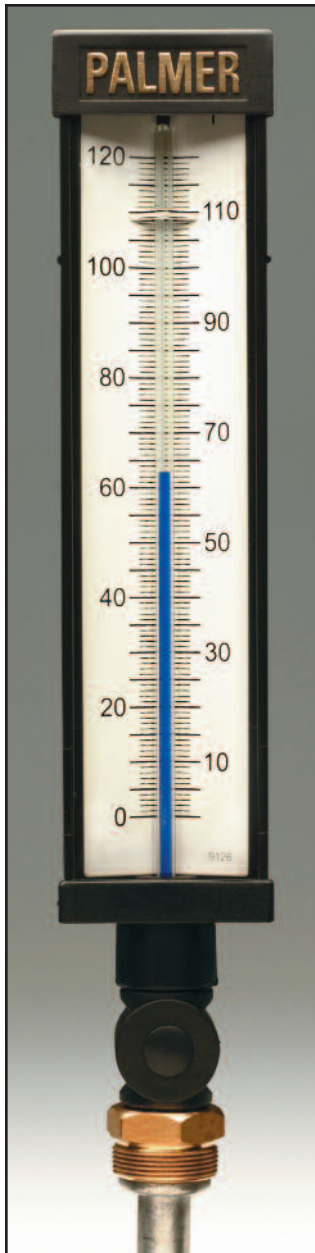
Narrow Case

Wide Case



Model 9AL • 9FL • 9ALSB • 9FLSB

Economy Industrial Thermometers



“SKY BLUE” Fill (SB) Environmentally Safe Models are filled with a mercury-free Blue Liquid. SB Models are available in 9" Cases, with either 3-1/2" or 6" Stem Lengths, Ranges up to 300°F. Mercury filled models are still available.

All Angle Adjustment: (pictured at right) Just two screws permit cases to be rotated 180° and stems to be positioned in 10° increments. Users can “infinitely” adjust Economy Line Industrial Thermometers to virtually any viewing angle required.

Easy Readability: Standard Lens front glass tube is “Red Reading” Mercury-Filled or Sky Blue Fill. Compact, yet visible 9" (229mm) Plastic or Aluminum, or 12" (305mm) Aluminum (only) cases, fitted with a “V” shaped white aluminum scale graduated with bold black lines and numerals.

Accuracy: Economy Line Industrial Thermometers are calibrated against standards traceable to the National Institute of Standards and Technology (NIST) and are guaranteed accurate to ±1 scale division.

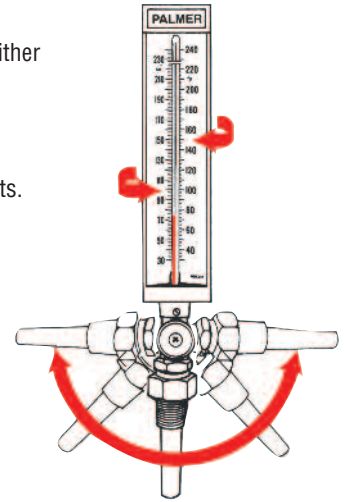


Construction: User selection of either tough, black-finished molded high temperature Plastic Case (9FL Models) or extruded, black-finished Aluminum Case (9AL or 12AL Models). Glass crystal, machined Brass Swivel Nut, and cast aluminum stem and seat are standard on all 3-1/2" stems.

Connection Assembly: Tapered Bulb Chamber allows maximum metal-to-metal contact with matching tapered thermowell for fast response and increased accuracy. Brass Swivel Nut is industry standard 1-1/4"-18 UNEF thread.

Range and Stem Length Selection: Full selection of Fahrenheit or Dual F & C Range scales available from -40 to 400°F (-40 to 204°C). Stock stem lengths are 3.5"(89 mm), 6"(152 mm), 8"(203 mm), 9"(229 mm) and 12"(305 mm).

Air Duct Construction: Air Duct Models feature a super-sensitive bare bulb protected by a 3/4" diameter perforated aluminum bulb guard. This design allows exposure to circulating air while still protecting the glass tube from any impact.



*Environmentally Safe, Sky Blue Fill,
Industrial Thermometer*



| 9AL, 9FL Standard Range Codes | | | |
|-------------------------------|--------|--------------------|-----------|
| °F Code | °F Div | Dual, °F & °C Code | °F/°C Div |
| -40/110F | 2° | -40/110F&C | 2°F/2°C |
| 0/120F | 1° | 0/120F&C | 1°F/0.5°C |
| 0/160F | 2° | 0/160F&C | 2°F/0.5°C |
| 20/180F | 2° | 20/180F&C | 2°F/1°C |
| 30/240F | 2° | 30/240F&C | 2°F/1°C |
| 30/300F | 2° | 30/300F&C | 2°F/1°C |
| 50/400F* | 5° | 50/400F&C* | 5°F/2°C |
| 100/550F | NA | 100/550F&C | NA |

* AL only, and not available in “Sky Blue” Fill

| 9AL, 9FL Base Model Numbers | | | | | | | | | |
|-----------------------------|-------------|--------------------|---------------|--------------------|---------------|-------------------|---------------|--------------------|---------------|
| | | Aluminum Case (AL) | | | | Plastic Case (FL) | | | |
| | | Mercury Fill | | Sky Blue Fill (SB) | | Mercury Fill | | Sky Blue Fill (SB) | |
| Case Size | | 9" Scale* | | | | | | | |
| Bulb Type | | Tapered | Air Duct (AD) | Tapered | Air Duct (AD) | Tapered | Air Duct (AD) | Tapered | Air Duct (AD) |
| Stem Length | 3.5" (89mm) | 9AL3.5 | NA | 9ALSB3.5 | NA | 9FL3.5 | NA | 9FLSB3.5 | NA |
| | 6" (152mm) | 9AL6 | 9ALAD6 | 9ALSB6 | 9ALADSB6 | 9FL6 | 9FLAD6 | 9FLSB6 | 9FLADSB6 |
| | 8" (203mm) | 9AL8 | NA | 9ALSB8 | NA | 9FL8 | NA | 9FLSB8 | NA |
| | 9" (229mm) | 9AL9 | NA | 9ALSB9 | NA | 9FL9 | NA | 9FLSB9 | NA |
| | 12" (305mm) | 9AL12 | 9ALAD12 | 9ALSB12 | 9ALADSB12 | 9FL12 | 9FLAD12 | 9FLSB12 | 9FLADSB12 |

* Optional 12" Case available, Aluminum only.

Model 9AL • 9FL • 9ALSB • 9FLSB

**Economy
Industrials**

Specifications

Case Length: 9" (220mm) Plastic or Aluminum Case, optional 12" (305mm) Aluminum.

Case Material: Painted Aluminum (AL) or Molded Plastic (FL).

Case Style: All Angle Adjustable.

Crystal: Glass Crystal Standard.

Scale: High visibility V-shaped painted white aluminum scale, black markings.

Glass Tube: Mercury Fill: Red Reading Lens glass, individually calibrated, thoroughly annealed and aged for permanent accuracy.

Sky Blue Fill: Magnified Lens; highly visible.

Fill: "Red-Reading" Mercury Fill, or Sky Blue Fill (SB Models)

Accuracy: Accurate to ± 1 scale division.
Fitting: 1-1/4"-18 UNEF machined Brass Swivel Nut.

Stem Material: Standard Cast Aluminum Stem and Seat.

Bulb: Choice of Tapered Bulb Chamber or perforated Air Duct design.

Calibration: Calibrated to NIST traceable standards.

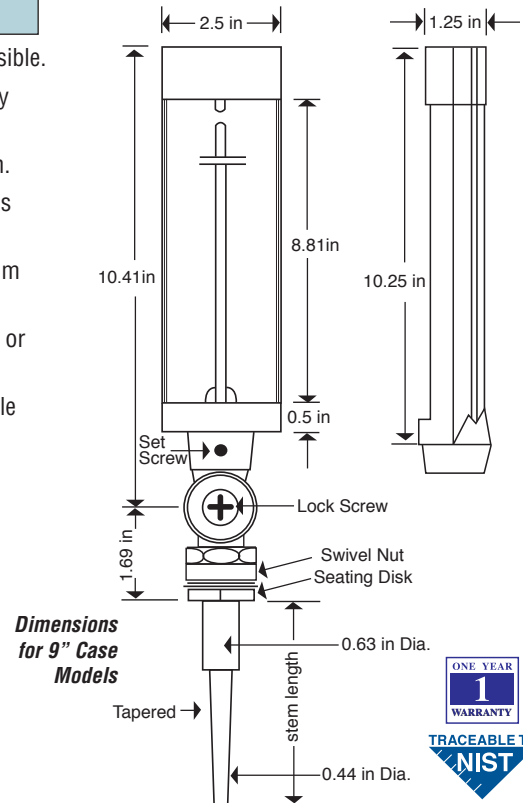
Ordering Information

9AL, 9FL Option Codes

| Code | Option Description |
|------------------|--|
| 12 | 12" (305 mm) Case Substitute "12" in place of "9" inch Scale in Base Model No. Table |
| (B) | Brass Stem and Seat |
| (PC) | Plastic Crystal |
| Discontinued | Red Spirit Fill (300°F/150°C limit) |
| (S) | Stainless Steel Stem/Seat material |
| 58 | Adjustable, Tilting Air Duct Flange Order Part No. "58" as a separate item |
| 1140-9 or 1140-9 | Flanged Union Connection Order Part No. 1140-9 or 1141-9 |

Standard three holes drilled in flange; 9/32" (7.1 mm) diameter equally spaced on 2-5/16" (57.7 mm) diameter bolt circle.

Specify either: Model 1140-9: 0.75" (19.1 mm) Flanged Union Connection, or Model 1141-9: 2.5" (63 mm) Extended Neck Flanged Union.



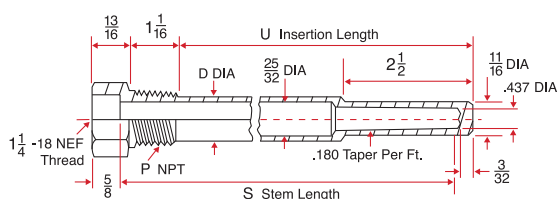
Part Number Example

| Base Model No. | Stem Length | Temp. Range | Option Code |
|---|-------------|-------------------------------------|-------------------------------|
| 9FLAD | 6 | 30/240F&C | (S) |
| 9" Case, Plastic Case Air Duct Mercury Fill | 6" Stem | 30/240°F & 0/114°C Dual Scale Range | Stainless Steel Stem and Seat |

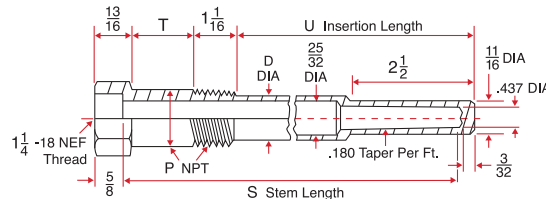
Economy Thermowells with 3/4"-14 NPT External Thread for Industrial Thermometers

| Well Material | Regular Series Thermowells | | | Lagging Extension Thermowells | | | |
|---------------|----------------------------|----------------------|--------------|-------------------------------|----------------------|-----------------------|--------------|
| | Stem Length "S" | Insertion Length "U" | Model Number | Stem Length "S" | Insertion Length "U" | Lagging Extension "T" | Model Number |
| Cast Brass | 3.5" | 2.5" | 1140-203-01A | 3.5" | 1.75" | 1" | 1141-203-01A |
| Cast Brass | 6" | 5" | 1140-206-01A | 6" | 2.5" | 2.5" | 1141-206-01A |
| Mach. Brass | 8" | 7" | 1140-208-01 | 8" | 4" | 3" | 1141-208-01 |
| Mach. Brass | 9" | 8" | 1140-209-01 | 9" | 5" | 3" | 1141-209-01 |
| Mach. Brass | 12" | 11" | 1140-212-01 | 12" | 8" | 3" | 1141-212-01 |

For a full listing of Industrial Thermometer Thermowells & Union Connections, please request catalog No. PW1100.



"P" = 3/4"-14 NPT External Thread



Air Duct Stem Model with bare bulb

Register your product at www.palmerwahl.com/register

Specifications subject to change without notice



Solar Digital Thermometers

Model PST500 • PST550 Solar Digital Industrial Thermometers



Model PST500

Can be powered by a flashlight!

PST500 Solar Digital Thermometer

PST550 Solar Digital Thermometer with Transmitter

NEW! Palmer PST Solar Digital Industrial Thermometers are environmentally friendly, mercury-free thermometers, *which can even be powered by a flashlight!* Palmer Thermometers set industry standards for accuracy, quality, and rugged operation. They offer 1% accuracy and are designed and constructed for long-term service.

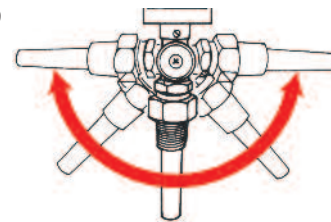
Direct Replacement for Industrial Glass and Bimetal Thermometers.

Transmitter: Single unit allows for local reading and remote transmitting. Dual sensors offer convenient and reliable independent operation for a variety of applications.

All Angle Adjustment: Just one screw permits cases to be rotated 180° and stem to be positioned in 10° increments. Users can “infinitely” adjust thermometers to virtually any viewing angle required.

Easy Readability: Large digital display can be seen from a distance.

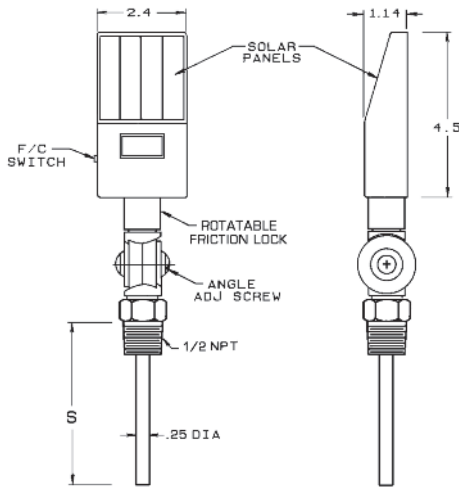
Self Powered: No need for batteries.



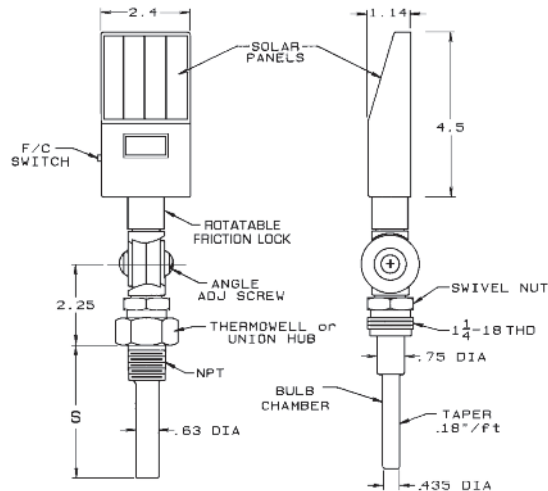
| Specifications | | |
|--|--|-------------------------------|
| | PST500 | PST550 |
| Solar Powered Digital Thermometer | | |
| Output | NA | 4-20mA Transmitter |
| Case | Hi-Impact ABS Case, All Angle Adjustable | |
| Range | -50° to 300°F (-45° to 150°C) F & C Switchable | |
| Display | 1/2" LCD digits, wide ambient formula | |
| Accuracy | 1% of reading or 1°, whichever is greater | |
| Resolution | 1/10° between -19.9° to 199.9°F (-28° to 93°C) | |
| Recalibration | Through case potentiometer adjustment | |
| Lux Rating | 10 Lux (one foot candle) | |
| Update | 10 seconds | |
| Ambient Temperature | -30° to 140°F (-35° to 60°C) | |
| Ambient Temp Error | Zero | |
| Humidity | 100% | |
| Sensor | Glass passivated Thermistor - NTC | Thermistor based - NTC |
| Fitting | 1-1/4"-18 UNEF Machined Brass Swivel Nut | |
| Stem Material | Standard Cast Aluminum Stem and Seat | |
| Stem Assemblies | Bimetallic, Industrial, Air Duct type | |
| Transmitter | | |
| Range | NA | -58° to 302°F (-50° to 150°C) |
| Output | NA | 4-20 mA |
| Ambient Operating Temp | NA | -15° to 185°F (-25° to 85°C) |
| Ambient Error | NA | 0.01% Span (°C) |
| Supply | NA | 8 to 35 VDC |
| Max Load Resistance | NA | 775W with 24VDC Supply |
| Accuracy | NA | 0.1% of Span |
| Sensor | NA | Platinum 100ΩRTD |



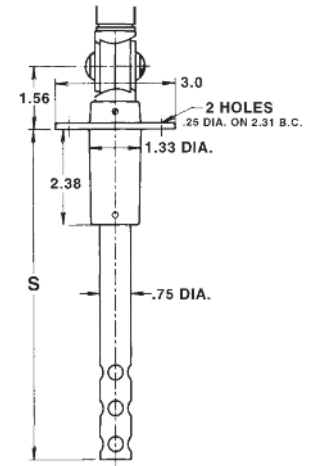
Model PST500 • PST550 Solar Industrial Digital Thermometers



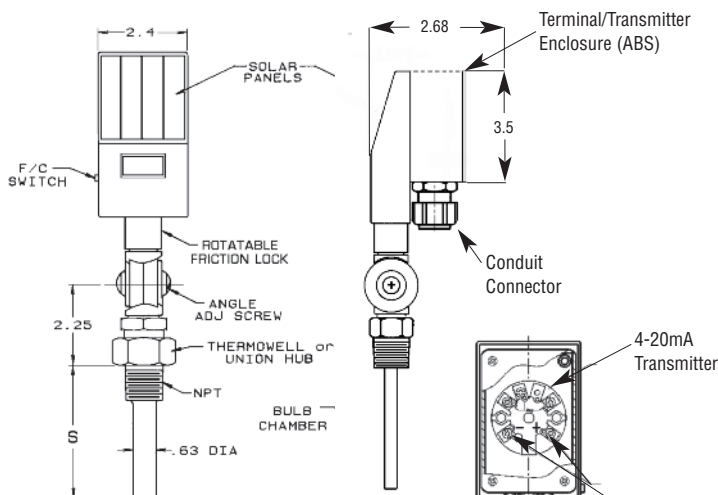
Bimetal Style Stem Assembly PST500BM



Industrial Glass Stem Assembly PST500IG

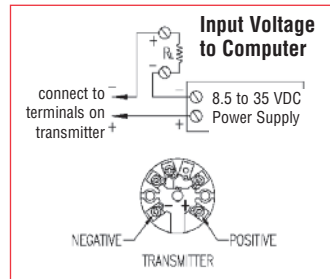


Air Duct Stem Assembly PST500AD and PST550AD



Transmitter Industrial Glass Stem PST550IG

Transmitter Bimetal Style Stem PST550BM



| For RL = 250Ω | | | |
|---------------|------|------|------|
| V VOLT | I mA | °F | °C |
| 1 | 4 | -58 | -50 |
| 5 | 20 | +302 | +150 |

Compatible with most building automation systems with 4-20mA input



Model PST550

Ordering Information

| Stem Length | Solar Thermometer | | | Solar Thermometer with Transmitter | | |
|-------------|--------------------------|--------------------------|-------------|------------------------------------|------------------|-------------|
| | Bimetal Style | Industrial Glass | Air Duct | Bimetal Style | Industrial Glass | Air Duct |
| 2.5" | PST500BM025 ¹ | NA | NA | PST550BM025 | NA | NA |
| 3.5" | NA | PST500IG035 ² | NA | NA | PST550IG035 | NA |
| 4" | PST500BM040 ¹ | NA | NA | PST550BM040 | NA | NA |
| 6" | PST500BM060 ¹ | PST500IG060 ² | PST500AD060 | PST550BM060 | PST550IG060 | PST550AD060 |
| 9" | NA | NA | PST500AD090 | NA | NA | PST550AD090 |
| 12" | NA | NA | PST500AD120 | NA | NA | PST550AD120 |

Bimetal Style: Fully interchangeable with Bimetallic Dial Thermometers
Industrial Glass: Fully interchangeable with Industrial Glass Thermometers
¹ Sockets available. ² without Socket



Register your product at www.palmerwahl.com/register

Specifications subject to change without notice



Model 200 Series • 300 Series Classic Industrials

Mercury Thermometers are the most reliable thermometers in the world. Palmer Industrial Thermometers set industry standards for accuracy, quality, and rugged operation. With looks to match their performance, these classic thermometers are designed and constructed for long-term industrial process service. For some applications requiring maximum response time using a union instead of a thermowell, specify one piece stem and bulb.

Specifications

Case Length: 300 Series - 9" (220mm) Case, or 200 Series - 12" (305mm) Case.

Case Material: Extruded "V" shaped brass with chrome finish.

Case Styles: Straight, 90° Back Angle, Left Side, Right Side, Incline, or Recline Angle. Please contact the factory for custom models and special needs.

Crystal: Instrument Quality Glass, Plastic optional.

Scale: 300 Series: Numerals and graduations are printed on a painted metal scale, Engraved Scale for Optional ranges. 200 Series: Scales are individually engraved for each glass tube. Optional Dual Scales available.

Glass Tube: "Red-Reading" Lens glass, individually calibrated, thoroughly annealed and aged for permanent accuracy.

Fill: "Red-Reading" Mercury Fill Standard, Red Spirit Fill optional (up to 300°F/150°C only).

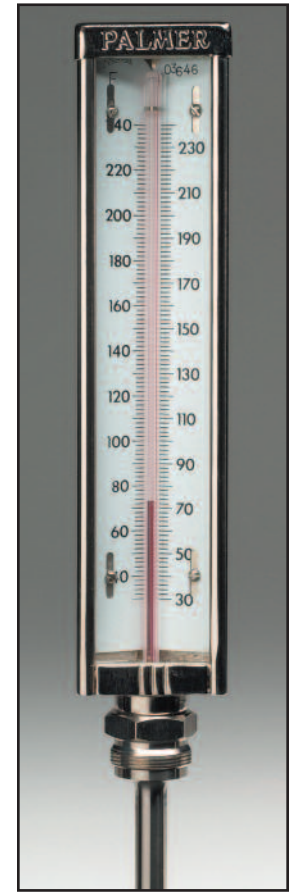
Accuracy: ±1/2 scale division, ±1 scale division if Red Spirit Filled. Special calibration from customer supplied set points available.

Calibration: Calibrated to NIST traceable standards.

Fitting: 1-1/4"-18 UNEF machined Brass Swivel Nut connection is standard. Stainless Steel optional.

Bulb: Tapered design for maximum contact and heat transfer from Thermowell. Stem and Bulb are Stainless Steel.

Wells & Fittings: Palmer Industrial Thermowells are listed in Palmer Catalog PW1100.



Model 209 Straight Industrial Thermometer



200 / 300 Series Base Model Numbers

| 200 Series 12" Scale Code | 300 Series 9" Scale Code | Case Style |
|------------------------------|-----------------------------|--------------------|
| 209 | 309 | Straight |
| 229 | 329 | 90° Back Angle |
| 268R | 368R | Right Side Angle** |
| 268L | 368L | Left Side Angle** |
| 249-301 ¹ | 249-301 ¹ | 30° Incline Angle |
| 249-45I | 349-45I | 45° Incline Angle |
| 249-30R ¹ | 249-30R ¹ | 30° Recline Angle |
| 249-45R | 349-45R | 45° Recline Angle |
| 249-75R | 349-75R | 75° Recline Angle |
| 249-105R | 349-105R | 105° Recline Angle |

** Illustration to show example of the position of stem to case. See table above for model numbers. ¹ Discontinued



Left Side Angle



Right Side Angle

200 / 300 Series Standard Range Codes

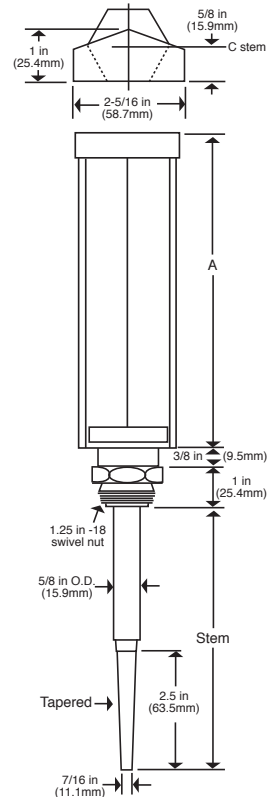
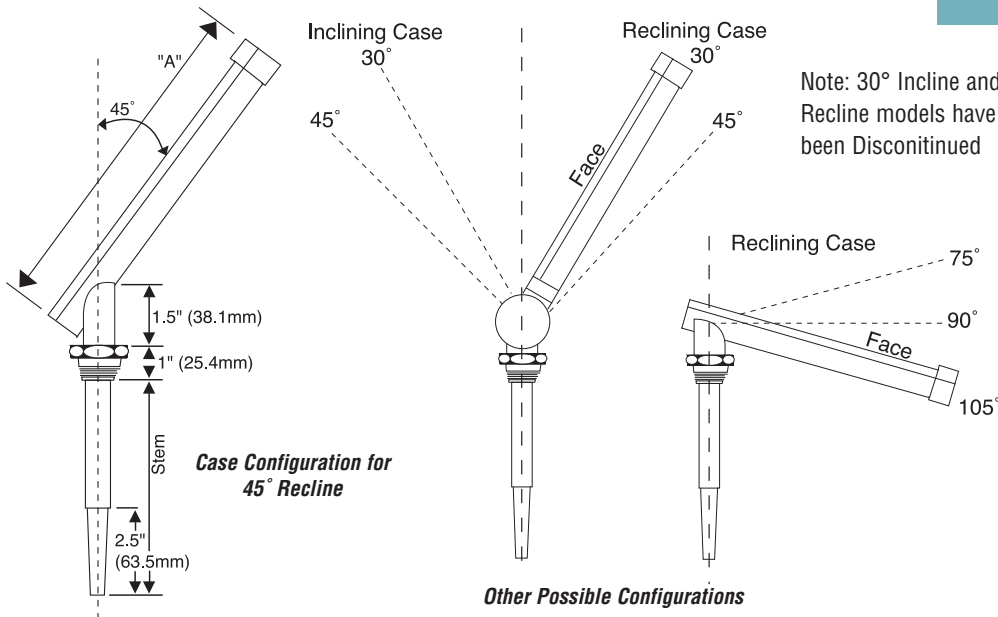
| °F Code | 9" Case Div | 12" Case Div* | °C Code | 9" Case Div | 12" Case Div* |
|------------|-------------|---------------|---------|-------------|---------------|
| 0/100F | 1° | 0.5° | -18/40C | 1° | 0.5° |
| 0/100F&R | 1° | 0.5° | 0/80C | 1° | 0.5° |
| 30/180F | 2° | 1° | 0/115C | 1° | 1° |
| 30/240F | 2° | 2° | 0/150C | 2° | 1° |
| 170/270F | 1°* | 1° | 10/205C | 2° | 2° |
| 170/270F&P | 1°* | 1° | | | |
| 30/300F | 2° | 2° | | | |
| 50/400F | 5° | 2° | | | |
| 200/300F | 1°* | 1° | | | |
| 200/400F | 2° | 2° | | | |

200 / 300 Series Optional Range Codes*

| °F Code | 9" Case Div | 12" Case Div | °C Code | 9" Case Div | 12" Case Div |
|------------|-------------|--------------|---------|-------------|--------------|
| -40/110F | 2° | 1° | -40/45C | 1° | 0.5° |
| -30/130F | 2° | 1° | 40/265C | 2° | 2° |
| 0/160F | 2° | 1° | 95/405C | NA | NA |
| 180/360F | 2° | 2° | | | |
| 180/360F&P | 2° | 1° | | | |
| 250/400F | 2° | 2° | | | |
| 100/550F | NA | NA | | | |
| 150/600F | NA | NA | | | |
| 200/750F | NA | NA | | | |

* Engraved Scale

Model 200 Series • 300 Series



Ordering Information

To select a thermometer, please specify the following:

- 1) Base Model Code for Case Size and Case Style from table pg 6
- 2) Stem Length Code from table below
- 3) Range Code from tables pg 6
- 4) Specify Option Codes from table at right

| 200 / 300 Series Option Codes | |
|-------------------------------|--|
| Code | Option Description |
| (DH) | Case Drain Holes |
| (DS) | Dual Scale |
| (ES) | Special Engraved Scale (Std on 200, 12") |
| (OPS) | One-Piece Stem/Bulb |
| (PC) | Plastic Crystal |
| (RS) | Red Spirit Fill (up to 300°F) |
| (SN) | 304 SS Swivel Nut |

| 200 / 300 Series Stem Length Codes | |
|------------------------------------|--------------|
| Code | Length (mm) |
| 3.5 | 3.5" (89mm) |
| 6 | 6" (152.4mm) |
| 8 | 8" (203mm) |
| 12 | 12" (305mm) |

| Part Number Example | | | |
|-------------------------|------------------|--------------------|-----------------|
| Base Model No. | Stem Length | Temp. Range | Option Code |
| 329 | 3.5 | 30/240F | (RS) |
| 90° Back Angle, 9" Case | 3.5" Stem Length | 30° to 240°F Range | Red Spirit Fill |

Straight Case Configuration



Prover Tank Industrial Thermometers

Prover Tank 12" Base Model Numbers

| Stem Length | Straight | 90° Back Angle | Left Side Mount | Right Side Mount | 30° Incline Mount | 30° Recline Mount |
|-------------|----------|----------------|-----------------|------------------|-----------------------|-----------------------|
| 3.5" | 210P3.5 | 210PBA3.5 | 210PLS3.5 | 210PRS3.5 | 210PI3.5 ¹ | 210PR3.5 ¹ |
| 6" | 210P6 | 210PBA6 | 210PLS6 | 210PRS6 | 210PI6 ¹ | 210PR6 ¹ |
| 8" | 210P8 | 210PBA8 | 210PLS8 | 210PRS8 | 210PI8 ¹ | 210PR8 ¹ |
| 12" | 210P12 | 210PBA12 | 210PLS12 | 210PRS12 | 210PI12 ¹ | 210PR12 ¹ |

¹Discontinued

| Part Number Example | | |
|---------------------|------------------|--------------------|
| Base Model No. | Stem Length | Temp. Range |
| 210P | 3.5 | 10/120F |
| Straight, 12" Case | 3.5" Stem Length | 10° to 120°F Range |

- Range: 10° to 120°F (1/2° divisions) Add Range Code **10/120F** to Base Model Number to complete a Prover Tank Model number
- Over-range reservoir to 150°F
- Nickel Plated Scale to resist gasoline vapors
- 12" Brass Case/Chrome Finish
- "Red-Reading" Mercury Fill

NOTE: Longer Stem Lengths available on request.

Register your product at www.palmerwahl.com/register

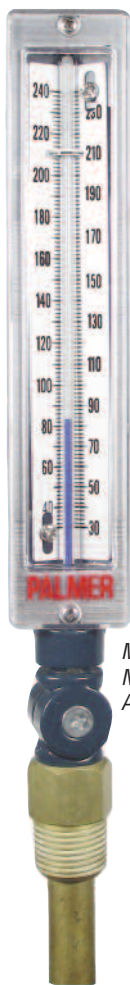
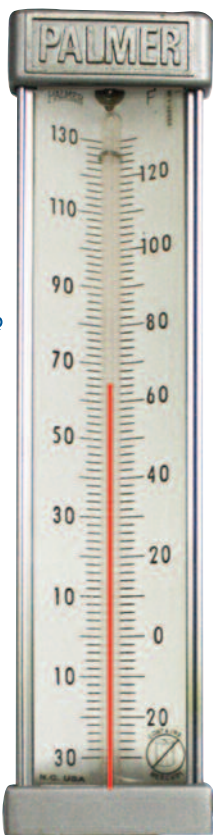
Specifications subject to change without notice

All Angle Wide or Narrow Case

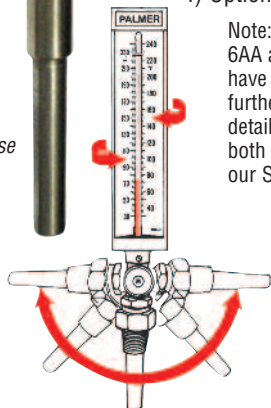
Model 3AA • 2AA • 7AA • All Angle Wide or Narrow Case Thermometers



Model 3AA
Wide Case
All Angle



Model 7AA
Narrow Case
All Angle



All Angle Adjustment: Just two screws permit cases to be rotated 180° and stems to be positioned in 10° increments. Users can "infinitely" adjust Wide Case Industrial Thermometers to virtually any viewing angle required.

All Angle, Wide Case Models 3AA and 2AA are a versatile solution to many problems encountered in ordering, stocking, and replacing Industrial Thermometers. 2-1/4" wide in either 9" or 12" case. All Angle Adjustment feature allows one thermometer to be "infinitely" adjusted to virtually any installation and viewing angle, greatly simplifying engineering and purchasing operations. Red Reading, Mercury-Filled tubes for high visibility and accuracy. Red Spirit Fill also available.

All Angle, Narrow Case Model 7AA offers quality and economy together in a space saving thermometer. Only 1-11/32" wide with a 6-1/2" case, this thermometer also includes a Brass thermowell. Features All Angle Adjustment.

Specifications

Case Length: 3AA: 9" (229mm); 2AA: 12" (305mm). 7AA: 6-1/2" (165.1 mm).

Case Width: 3AA, 2AA: 2.25" (57mm) Case. 7AA: 1-11/32" (34 mm) Case.

Case Material: 3AA, 2AA: Aluminum. 7AA: Blue Painted Aluminum.

Case Style: All Angle Adjustable.

Crystal: 3AA, 2AA: Instrument Glass. 7AA: Plastic Crystal and Cover.

Scale: Black numerals and graduations on aluminum scale. Engraved scale standard on 12".

Glass Tube: 3AA, 2AA: "Red-Reading" Lens glass, individually calibrated, thoroughly annealed and aged for permanent accuracy. 7AA: Magnified Lens; compact, yet visible.

Fill: 3AA, 2AA: "Red-Reading" Mercury Fill Standard, Red Spirit optional. 7AA: Sky Blue Fill.

Accuracy: 3AA, 2AA: ±1/2 scale division, ±1 scale division if Red Spirit Filled. 7AA: 1% of Full Scale.

Calibration: 3AA, 2AA: Calibrated to NIST traceable standards.

Fitting: 3AA, 2AA: 1-1/4" -18 UNEF Brass Swivel Nut, Stainless Steel optional. 7AA: Blue Painted Aluminum Knuckle.

Bulb: 3AA, 2AA: Stainless Steel, tapered, 0.437" (11mm). 7AA: Aluminum, Straight Shank, 3/8" Diameter.

Thermowell: 3AA, 2AA: See Palmer Thermowell Catalog PW1100. 7AA: 1/2" NPT Brass Thermowell with 0.531" diameter included.

Ordering Information

Please specify the following:

- 1) Base Model Number
- 2) Stem Length Code
- 3) Range Code
- 4) Options Code (not 7AA)

Note: The 7AA replaces the 6AA and 6000 Series which have been discontinued. For further information, and a detailed drawing comparing both models, please contact our Sales office.

| Stem Length Codes | | |
|-------------------|-----------|----------------|
| 7AA | 3AA / 2AA | Length (mm) |
| 2.25 | NA | 2.25" (57.2mm) |
| NA | 3.5 | 3.5" (89mm) |
| NA | 6 | 6" (152.4mm) |
| NA | 8 | 8" (203mm) |
| NA | 12 | 12" (305mm) |

| 3AA / 2AA Option Codes | |
|------------------------|---------------------|
| Code | Option Description |
| (DH) | Drain Holes |
| (DS) | Dual Scale |
| (ES) | Engraved Scale |
| (OPS) | One Piece Stem/Bulb |
| (PC) | Plastic Crystal |
| (RS) | Red Spirit Fill |
| (SN) | 304SS Swivel Nut |

7AA / 3AA / 2AA STANDARD RANGE CODES

| °F Range Code | 7" Div | 9" Div | 12" Div* | Dual Range Code | 7" Div | 9" Div | 12" Div* |
|---------------|--------|--------|----------|-----------------|--------|-------------|-------------|
| -40/110F | NA | 2° | 1° | -40/110F&C | NA | 2°F / 2°C | 1°F / 1°C |
| 0/120F | NA | 1° | 1° | 0/120F&C | NA | 1°F / 0.5°C | 1°F / 0.2°C |
| 0/160F | 2° | 2° | 1° | 0/160F&C | 2° | 2°F / 0.5°C | 1°F / 0.2°C |
| 20/180F | NA | 2° | 1° | 20/180F&C | NA | 2°F / 1°C | 1°F / 0.5° |
| 30/240F | 2° | 2° | 1° | 30/240F&C | 2° | 2°F / 1°C | 1°F / 0.5°C |
| 30/300F | NA | 2° | 2° | 30/300F&C | NA | 2°F / 1°C | 2°F / 1°C |
| 50/400F* | NA | 5° | 5° | 50/400F&C* | NA | 5°F / 2°C | 5°F / 2°C |

* Mercury Fill only.

