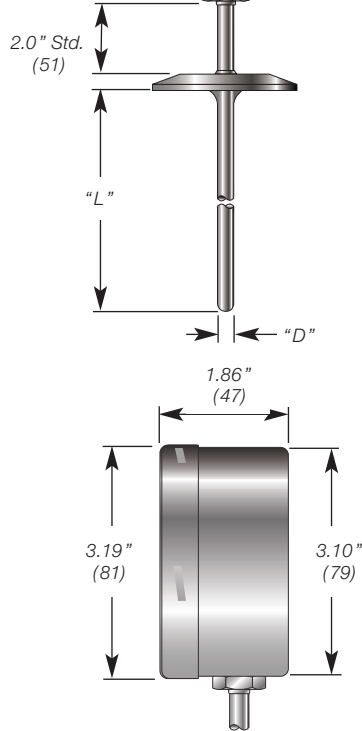


Model DTG84

LCD Digital Temperature Gauge
Battery Powered, Top Mounting w/Sanitary Fitting



Custom Builder

MODEL 1 2 3 4 5 6 7

DTG84 - - - - - - -

BOX1 CODE	Temperature Range
CL	Low Temperature, display °C -50 to 200°C
FL	Low Temperature, display °F -58/392°F

Note :
DTGs are factory calibrated to an accuracy of
 $\pm (0.2 + 0.002 \times |T|)$ °C
 $\pm (0.36 + 0.002 \times |T-32|)$ °F

BOX2 CODE	Output
0	No Output

BOX3 CODE	Probe Dia. "D" & Material
D	1/4" (6.3mm), Stainless steel 316
F	3/8" (9.5mm), Stainless steel 316
H	1/2" (12.7mm), Stainless steel 316
PS	6.0mm (0.236"), Stainless steel 316
RS	8.0mm (0.315"), Stainless steel 316

BOX4 CODE	Probe Length "L"
---	In 0.1" increments Ex.: 065 = 6.5" (165mm) long 120 = 12.0" (305mm) long
M---	In millimeters Ex.: M230 = 230mm long

BOX5 CODE	Fitting Type
T10	Hygienic clamp union, 1"
T15	Hygienic clamp union, 1.5"
T20	Hygienic clamp union, 2"
T25	Hygienic clamp union, 2.5"
T30	Hygienic clamp union, 3"

Note: Fitting material is stainless steel SS316

BOX6 CODE	Surface Finish
SF	32 μ-in (0.8 μm) Ra max. or better
F1	20 μ-in (0.5 μm) Ra max., w/o EP
F4	15 μ-in (0.4 μm) Ra max., with EP

BOX7 CODE	Options
N	No Options
C1	Calibration certificate, NIST traceable, 1 point, 0°C (32°F)
C2	Calibration certificate, NIST traceable, 2 points, 0.0°C (32.0°F) & 100.0°C (212.0°F)
CC	Calibration certificate, NIST traceable, specify points

Stock Items

- DTG84 w/LCD display, "CL" or "FL" range
- Factory calibrated to accuracy of $\pm (0.2 + 0.002 \times |T|)$ °C
 $\pm (0.36 + 0.002 \times |T-32|)$ °F
- Operating temperature range of -50 to 200°C (-58 to 392°F)
- Battery Operated 5 year life span
- Probe 1/4" (6.35mm) diameter stainless 316
- Fitting 1-1/2" Tri-Clamp
- Probe lengths available are 2.5", 4", 6", 9" and 12"
- Surface Finish 32 μ-in Ra max. or better

Ordering Information

Model Part Number	Description
DTG84-CL-0-D-025-T15-SF-N	Low temperature, display °C (-50 to 200°C), 2.5" (63 mm) probe length
DTG84-FL-0-D-025-T15-SF-N	Low temperature, display °F (-58/392°F), 2.5" (63 mm) probe length
DTG84-CL-0-D-040-T15-SF-N	Low temperature, display °C (-50 to 200°C), 4.0" (102 mm) probe length
DTG84-FL-0-D-040-T15-SF-N	Low temperature., display °F (-58/392°F), 4.0" (102 mm) probe length
DTG84-CL-0-D-060-T15-SF-N	Low temperature, display °C (-50 to 200°C), 6.0" (152 mm) probe length
DTG84-FL-0-D-060-T15-SF-N	Low temperature, display °F (-58/392°F), 6.0" (152 mm) probe length
DTG84-CL-0-D-090-T15-SF-N	Low temperature, display °C (-50 to 200°C), 9.0" (229 mm) probe length
DTG84-FL-0-D-090-T15-SF-N	Low temperature., display °F (-58/392°F), 9.0" (229 mm) probe length
DTG84-CL-0-D-120-T15-SF-N	Low temperature, display °C (-50 to 200°C), 12.0" (305 mm) probe length
DTG84-FL-0-D-120-T15-SF-N	Low temperature, display °F (-58/392°F), 12.0" (305 mm) probe length