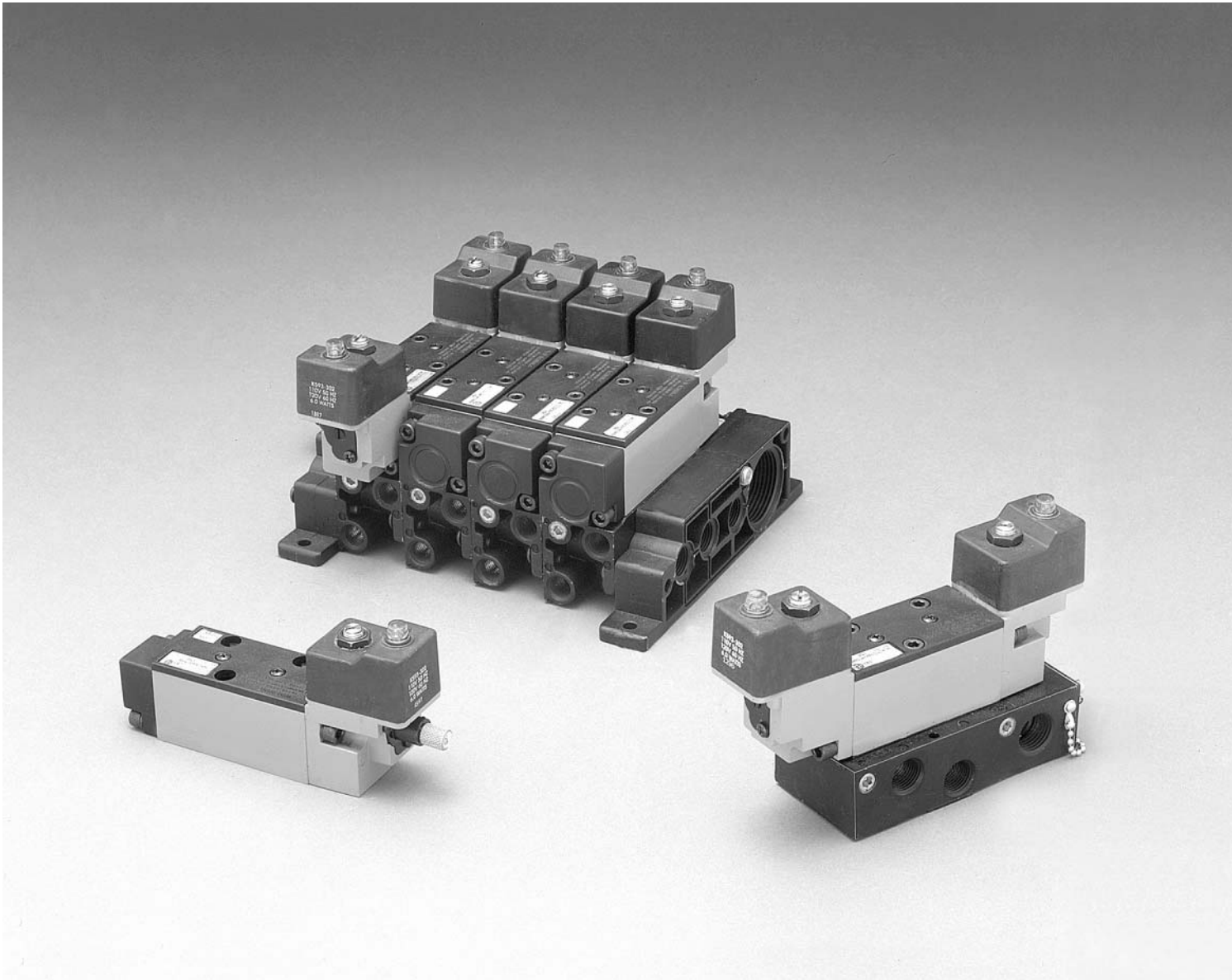




Valvair Sprint™

Pneumatic Valves
Solenoid & Pilot-Operated
Directional Spool Valves

Catalog VAL-VS-E/USA
April 2004



 **WARNING**

FAILURE OR IMPROPER SELECTION OR IMPROPER USE OF THE PRODUCTS AND/OR SYSTEMS DESCRIBED HEREIN OR RELATED ITEMS CAN CAUSE DEATH, PERSONAL INJURY AND PROPERTY DAMAGE.

This document and other information from Parker Hannifin Corporation, its subsidiaries and authorized distributors provide product and/or system options for further investigation by users having technical expertise. It is important that you analyze all aspects of your application including consequences of any failure, and review the information concerning the product or system in the current product catalog. Due to the variety of operating conditions and applications for these products or systems, the user, through its own analysis and testing, is solely responsible for making the final selection of the products and systems and assuring that all performance, safety and warning requirements of the application are met.

The products described herein, including without limitation, product features, specifications, designs, availability and pricing, are subject to change by Parker Hannifin Corporation and its subsidiaries at any time without notice.

Offer of Sale

The items described in this document are hereby offered for sale by Parker Hannifin Corporation, its subsidiaries or its authorized distributors. This offer and its acceptance are governed by the provisions stated on the separate page of this document entitled "Offer of Sale".

© Copyright 2004, Parker Hannifin Corporation. All Rights Reserved

SUBBASE & MANIFOLD MOUNTED

1/4" & 3/8" PORTS

2-Position – Single & Double Solenoid Operated Plug-In Valves 2
 Single & Double Remote Air Pilot Operated Valves 2

3-Position – Double Solenoid, 3-Position..... 2

Valve Model Number System 4-7

Dimensional Data – Solenoid & Remote Air Pilot Dimensions 8
 – Sandwich Regulator Dimensions 9
 – Manifold System Dimensions 9

Accessories 10-11

DIRECT PIPE PORTED (INLINE MOUNTED)

1/4" PORTS

2-Position – Single & Double Solenoid Operated Valves 3
 Single & Double Remote Air Pilot Operated Valves 3

3-Position – Solenoid Operated Valves 3

Valve Model Number System 4-7

TECHNICAL INFORMATION

Service Kit & Replacement Parts 12

General Specifications 14

Technical Specifications 13-17

CROSS REFERENCE INFORMATION

AL Series to Sprint Series 18-31

Sprint Valves 32

Coil Subassemblies 32

Special History 33-34

Direct Pipe Ported to B5 Cross 35

Direct Pipe Ported and B5 Series Dimensional Information 36

Sprint Valve to F5 Cross 37

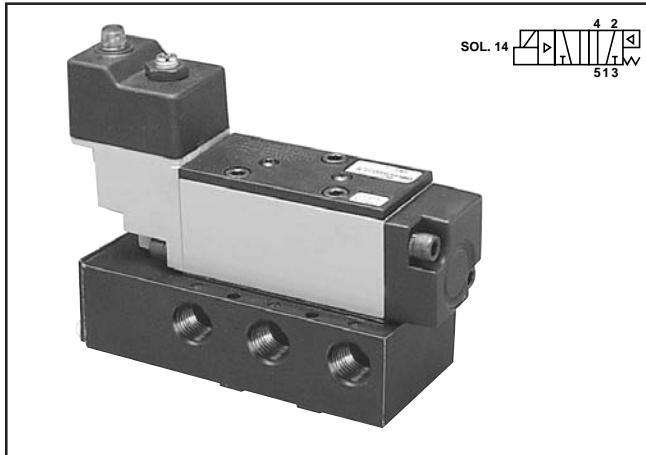
F5 Series Dimensional Information 38

INSTRUCTIONAL INFORMATION

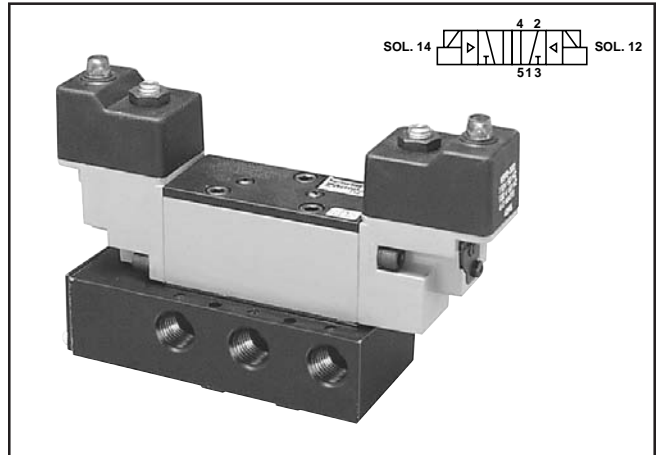
Installation, Wiring, and Operational Instructions 39-45

Offer of Sale 47

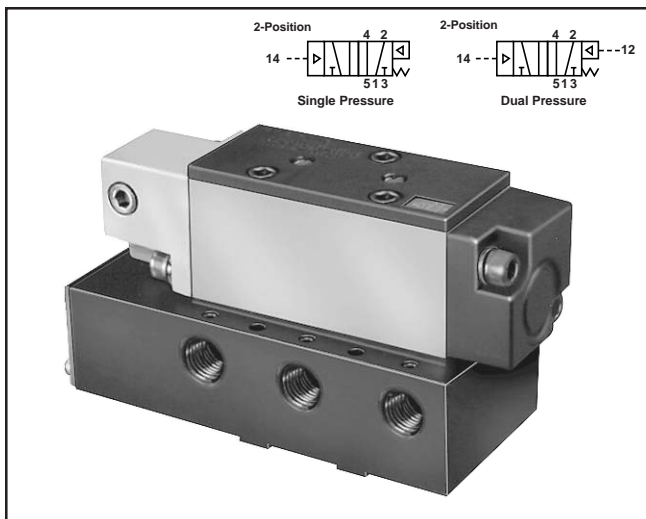
**Subbase & Manifold Mounted,
 Single Solenoid, 2-Position**



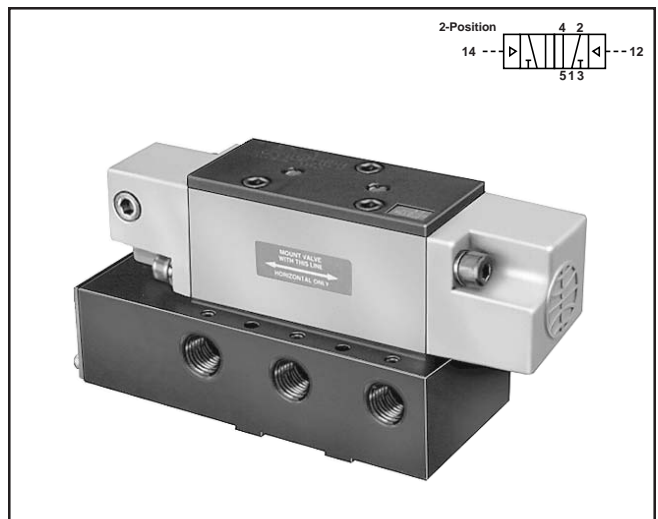
**Subbase & Manifold Mounted,
 Double Solenoid, 2-Position**



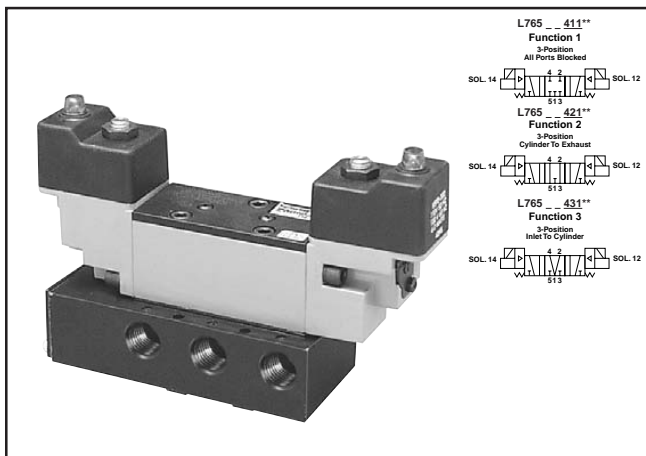
**Subbase & Manifold Mounted,
 Single Remote, 2-Position**



**Subbase & Manifold Mounted,
 Double Remote, 2-Position**



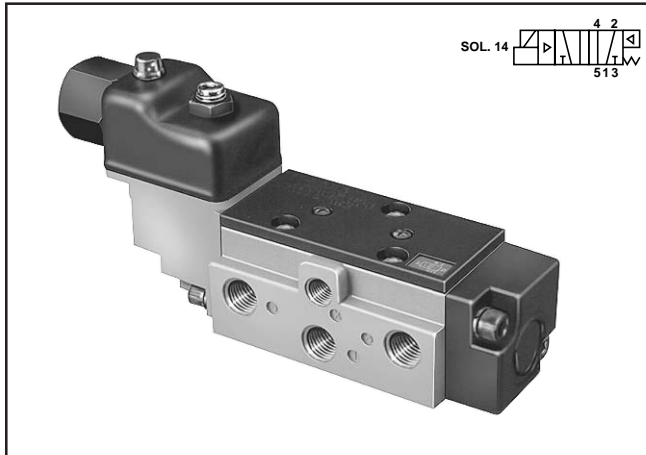
**Subbase & Manifold Mounted,
 Double Solenoid, 3-Position**



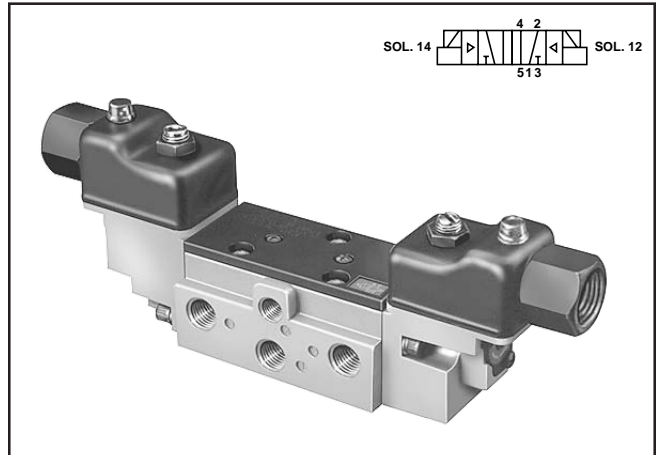
Plug-In / Non Plug-In

Subbase	Manifold	Port		Port Adaptor	
		Side	End		
K022112	—	1/4"	1/2"	—	Plug-In
K022113	—	3/8"	1/2"	—	
—	K142175	3/8"	1-1/4"	K122022	
K022077	—	1/4"	—	—	Non Plug-In
K022078	—	3/8"	—	—	
—	K142174	3/8"	3/8"	K122022	

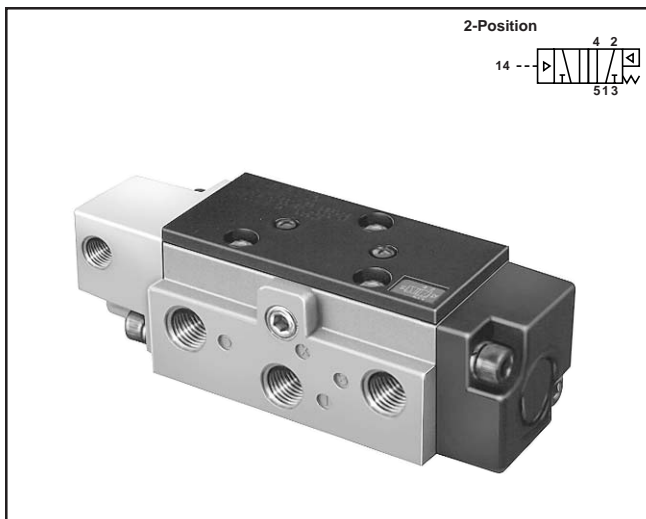
**Direct Pipe Ported,
 Single Solenoid, 2-Position**



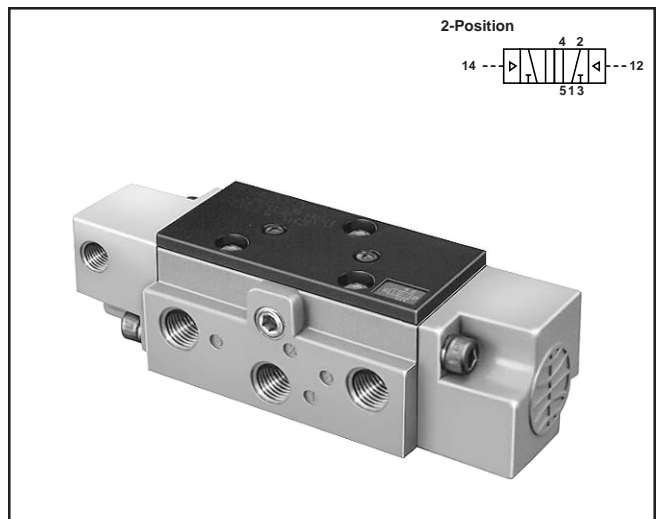
**Direct Pipe Ported,
 Double Solenoid, 2-Position**



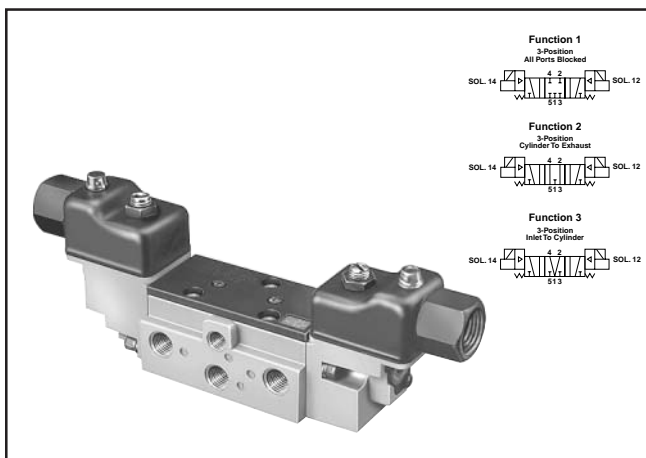
**Direct Pipe Ported,
 Single Remote, 2-Position**



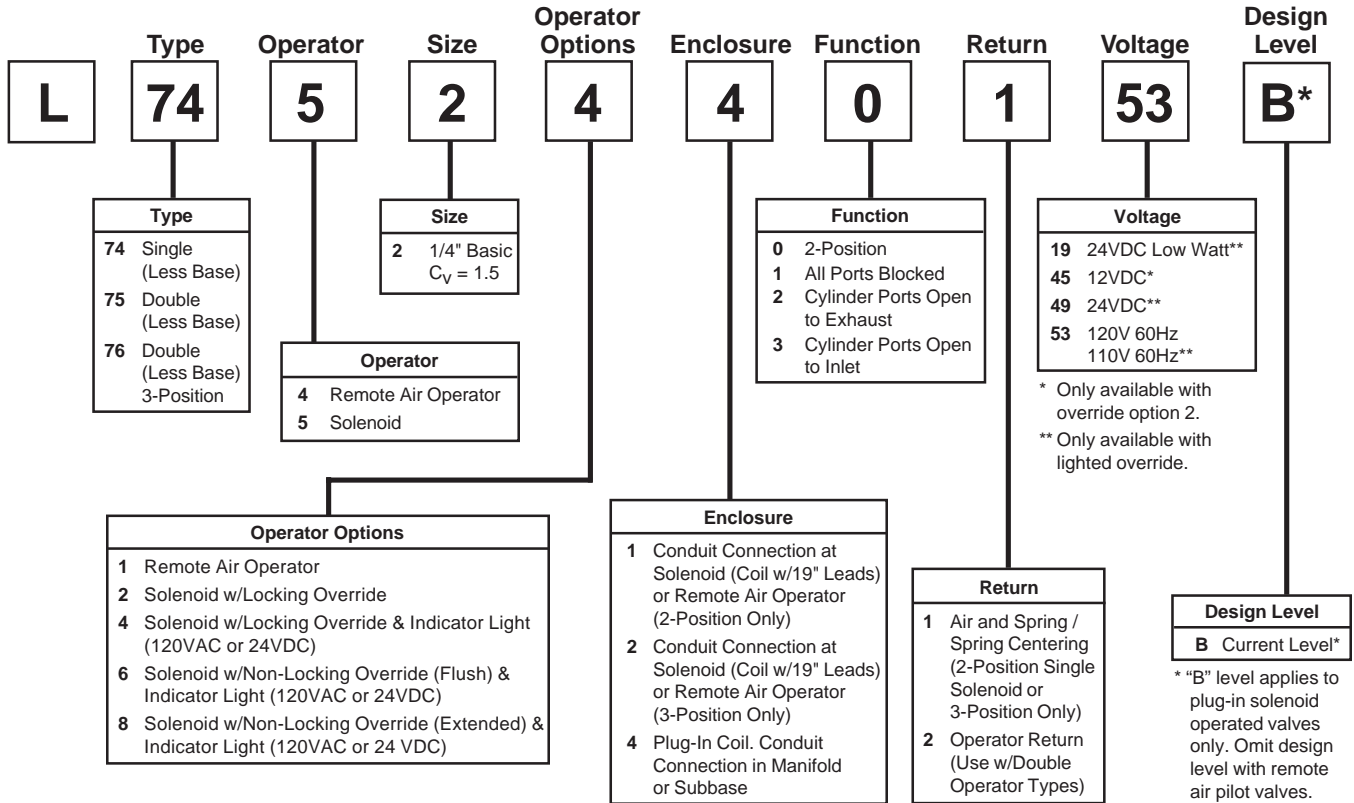
**Direct Pipe Ported,
 Double Remote, 2-Position**



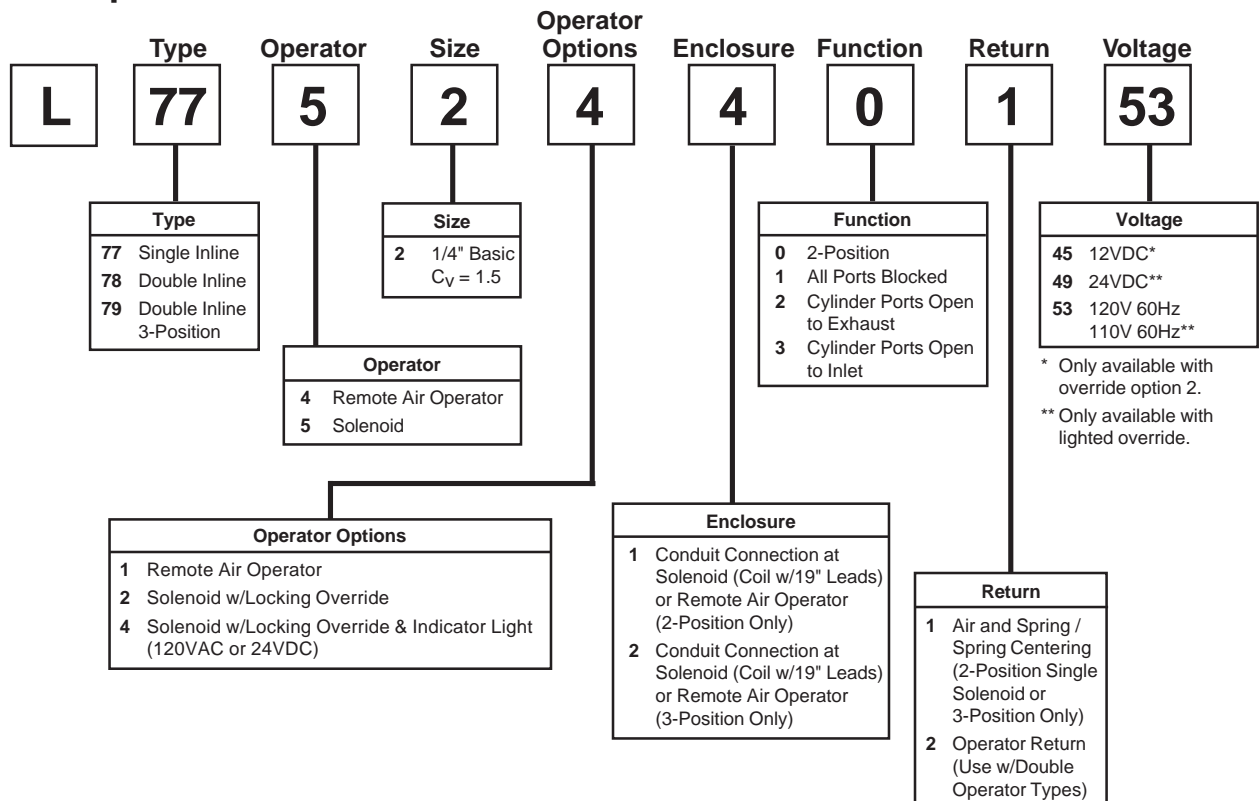
**Direct Pipe Ported,
 Double Solenoid, 3-Position**



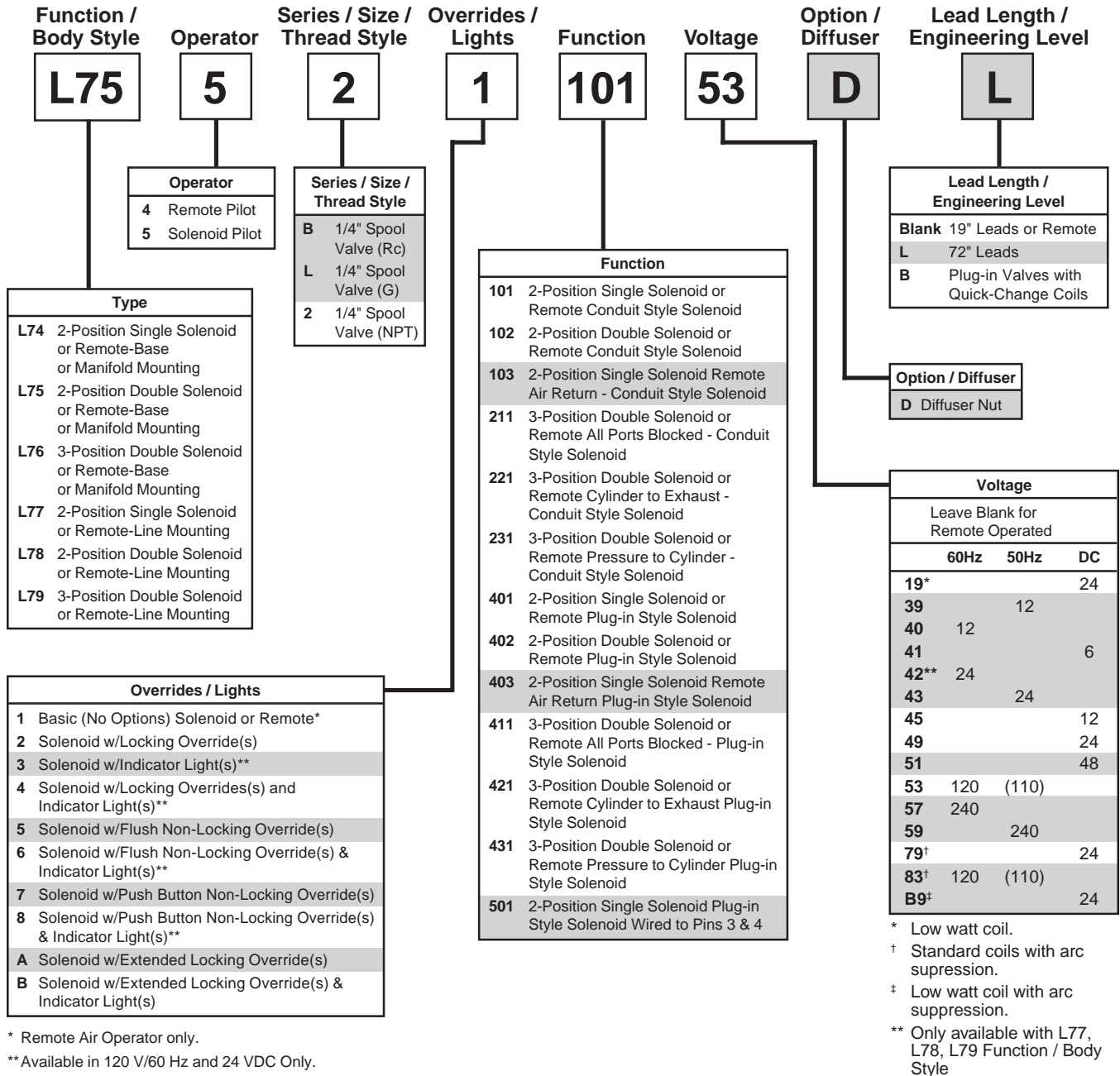
Subbase & Manifold Mounted 2-Position and 3-Position



Direct Pipe Ported 2-Position and 3-Position



Historical Model Index with Full Options



FOR REFERENCE ONLY

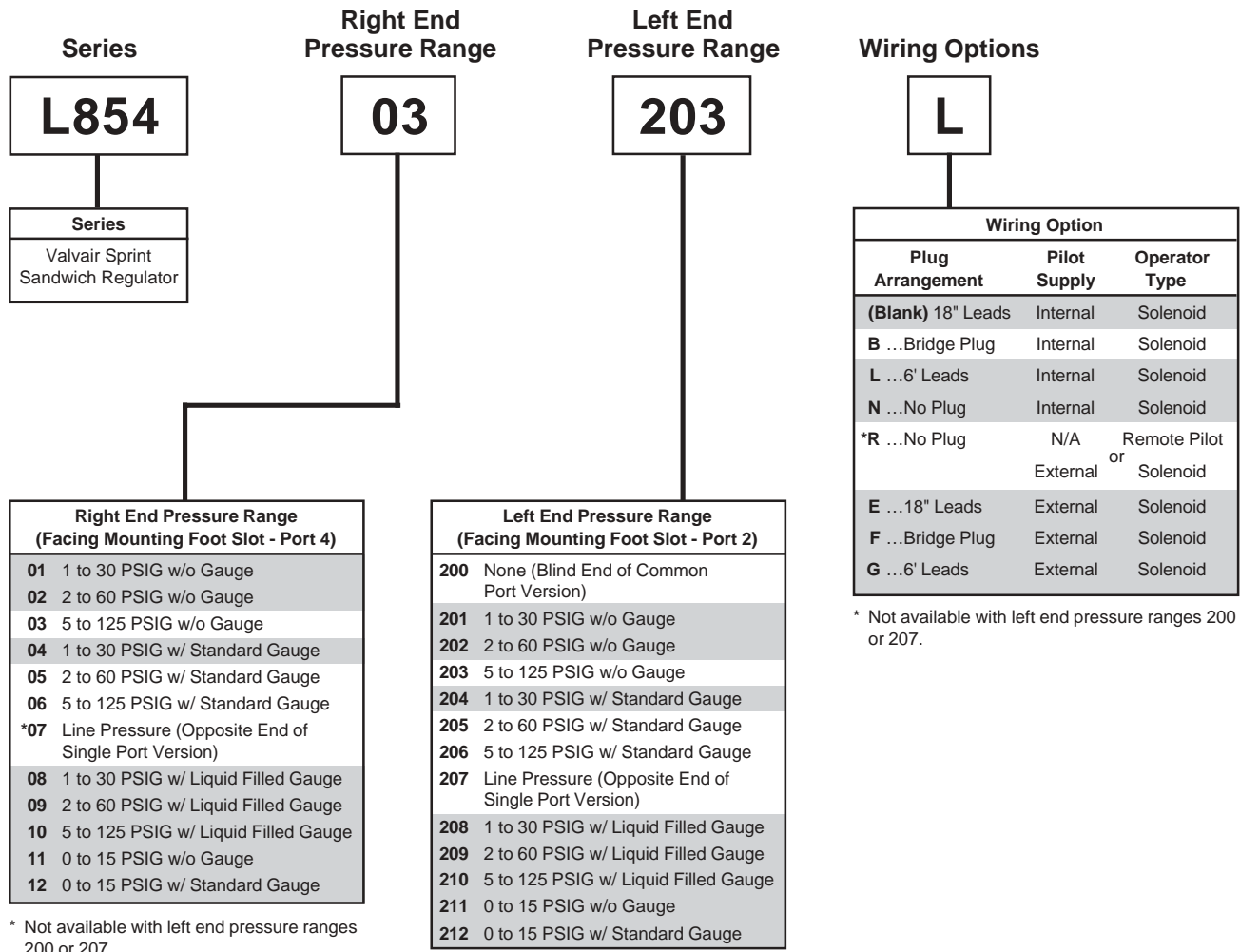
Note: Shaded options have been discontinued. Refer to back of Catalog for Cross Reference Information.

Series/ Size	Operator Function		Mounting Style	Port Size	Port Threads	Pilot Source/ Exhaust	Overrides/ Lights	Enclosure/ Lead Length	Voltage	Options	Engineering Level																																																																
AL	1	1	A	2	3	B	K	H	53	00	*																																																																
Series/Size AL 1/4" Basic	Function		Mounting Style & Port Threads			Pilot Source/ Exhaust	Override/Lights	Enclosure/Lead Length	Voltage	Options	Engineering Level																																																																
	1 2-Position, 4-Way 3 3-Position, All Ports Blocked 4 3-Position, Cylinder to Exhaust 5 3-Position, Pressure to Cylinder		A23 Inline Ported 1/4" NPT 323 Add-A-Fold 1/4" NPT End Ports (3/8" NPT Bottom Ports) 523 Subbase Side Ported 1/4" NPT 533 Subbase Side Ported 3/8" NPT VXX Valve Only Less Base (Including Basket Mounting Screws)			0 Use For Remote Air Operator Single Pressure B Internal/Vented Solenoid L External/Vented Solenoid (Or Remote Air Operated Valves - Dual Pressure.)	0 Use For Remote Air Operator Only A No Override B Non-Locking Recessed D Non-Locking Extended E Locking F No Override w/ Lights G Non-Locking Recessed w/ Lights J Non-Locking Extended w/ Lights K Locking w/ Lights N No Lights Available on 110V/60, 110V/50/60, 110V/50/50 only.	0 Use for Remote Air Operator Solenoid Valves less base. 18" 72" Leads Leads H R Conduit (Inline) N W Plug-in (Manifold/Subbase Only)	XX Use for Remote Air Operator Only 60Hz 50Hz DC 19* 24 39 12 40 12 41 6 42 24 43 24 45 12 49 24 51 48 53 120 110 57 240 59 240	00 None 01 Sandwich Flow Control Sandwich Regulator, Common Regulated Pressure To Both Cylinder Ports 1C 1-30 PSIG w/o Gauge 2C 2-60 PSIG w/o Gauge 3C 5-125 PSIG w/o Gauge 4C 1-30 PSIG w/ Gauge 5C 2-60 PSIG w/ Gauge 6C 5-125 PSIG w/ Gauge Sandwich Regulator, Each Cylinder Port Regulated Independently <table border="1"> <thead> <tr> <th>Port 2</th> <th>Port 4</th> </tr> </thead> <tbody> <tr><td>1C</td><td>1-30 PSIG w/o Gauges</td></tr> <tr><td>2C</td><td>2-60 PSIG w/o Gauges</td></tr> <tr><td>3C</td><td>5-125 PSIG w/o Gauges</td></tr> <tr><td>21</td><td>1-30 PSIG w/o Gauges</td></tr> <tr><td>31</td><td>1-30 PSIG w/o Gauges</td></tr> <tr><td>12</td><td>2-60 PSIG w/o Gauges</td></tr> <tr><td>32</td><td>2-60 PSIG w/o Gauges</td></tr> <tr><td>13</td><td>5-125 PSIG w/o Gauges</td></tr> <tr><td>23</td><td>5-125 PSIG w/o Gauges</td></tr> <tr><td>44</td><td>1-30 PSIG w/ Gauges</td></tr> <tr><td>55</td><td>2-60 PSIG w/ Gauges</td></tr> <tr><td>66</td><td>5-125 PSIG w/ Gauges</td></tr> <tr><td>54</td><td>1-30 PSIG w/ Gauges</td></tr> <tr><td>64</td><td>1-30 PSIG w/ Gauges</td></tr> <tr><td>45</td><td>2-60 PSIG w/ Gauges</td></tr> <tr><td>65</td><td>2-60 PSIG w/ Gauges</td></tr> <tr><td>46</td><td>5-125 PSIG w/ Gauges</td></tr> <tr><td>56</td><td>5-125 PSIG w/ Gauges</td></tr> </tbody> </table> Sandwich Regulator, Regulated Pressure To One Cylinder Port, Line Pressure To Other <table border="1"> <thead> <tr> <th>Port 2</th> <th>Port 4</th> </tr> </thead> <tbody> <tr><td>1L</td><td>Line Press. w/o Gauges</td></tr> <tr><td>2L</td><td>Line Press. w/o Gauges</td></tr> <tr><td>3L</td><td>Line Press. w/o Gauges</td></tr> <tr><td>L1</td><td>1-30 PSIG w/o Gauges</td></tr> <tr><td>L2</td><td>2-60 PSIG w/o Gauges</td></tr> <tr><td>L3</td><td>5-125 PSIG w/o Gauges</td></tr> <tr><td>4L</td><td>Line Press. w/ Gauges</td></tr> <tr><td>5L</td><td>Line Press. w/ Gauges</td></tr> <tr><td>6L</td><td>Line Press. w/ Gauges</td></tr> <tr><td>L4</td><td>1-30 PSIG w/ Gauges</td></tr> <tr><td>L5</td><td>2-60 PSIG w/ Gauges</td></tr> <tr><td>L6</td><td>5-125 PSIG w/ Gauges</td></tr> </tbody> </table>	Port 2	Port 4	1C	1-30 PSIG w/o Gauges	2C	2-60 PSIG w/o Gauges	3C	5-125 PSIG w/o Gauges	21	1-30 PSIG w/o Gauges	31	1-30 PSIG w/o Gauges	12	2-60 PSIG w/o Gauges	32	2-60 PSIG w/o Gauges	13	5-125 PSIG w/o Gauges	23	5-125 PSIG w/o Gauges	44	1-30 PSIG w/ Gauges	55	2-60 PSIG w/ Gauges	66	5-125 PSIG w/ Gauges	54	1-30 PSIG w/ Gauges	64	1-30 PSIG w/ Gauges	45	2-60 PSIG w/ Gauges	65	2-60 PSIG w/ Gauges	46	5-125 PSIG w/ Gauges	56	5-125 PSIG w/ Gauges	Port 2	Port 4	1L	Line Press. w/o Gauges	2L	Line Press. w/o Gauges	3L	Line Press. w/o Gauges	L1	1-30 PSIG w/o Gauges	L2	2-60 PSIG w/o Gauges	L3	5-125 PSIG w/o Gauges	4L	Line Press. w/ Gauges	5L	Line Press. w/ Gauges	6L	Line Press. w/ Gauges	L4	1-30 PSIG w/ Gauges	L5	2-60 PSIG w/ Gauges	L6	5-125 PSIG w/ Gauges	A - Inline & Air Pilots B - Base Mount
Port 2	Port 4																																																																										
1C	1-30 PSIG w/o Gauges																																																																										
2C	2-60 PSIG w/o Gauges																																																																										
3C	5-125 PSIG w/o Gauges																																																																										
21	1-30 PSIG w/o Gauges																																																																										
31	1-30 PSIG w/o Gauges																																																																										
12	2-60 PSIG w/o Gauges																																																																										
32	2-60 PSIG w/o Gauges																																																																										
13	5-125 PSIG w/o Gauges																																																																										
23	5-125 PSIG w/o Gauges																																																																										
44	1-30 PSIG w/ Gauges																																																																										
55	2-60 PSIG w/ Gauges																																																																										
66	5-125 PSIG w/ Gauges																																																																										
54	1-30 PSIG w/ Gauges																																																																										
64	1-30 PSIG w/ Gauges																																																																										
45	2-60 PSIG w/ Gauges																																																																										
65	2-60 PSIG w/ Gauges																																																																										
46	5-125 PSIG w/ Gauges																																																																										
56	5-125 PSIG w/ Gauges																																																																										
Port 2	Port 4																																																																										
1L	Line Press. w/o Gauges																																																																										
2L	Line Press. w/o Gauges																																																																										
3L	Line Press. w/o Gauges																																																																										
L1	1-30 PSIG w/o Gauges																																																																										
L2	2-60 PSIG w/o Gauges																																																																										
L3	5-125 PSIG w/o Gauges																																																																										
4L	Line Press. w/ Gauges																																																																										
5L	Line Press. w/ Gauges																																																																										
6L	Line Press. w/ Gauges																																																																										
L4	1-30 PSIG w/ Gauges																																																																										
L5	2-60 PSIG w/ Gauges																																																																										
L6	5-125 PSIG w/ Gauges																																																																										

DISCONTINUED

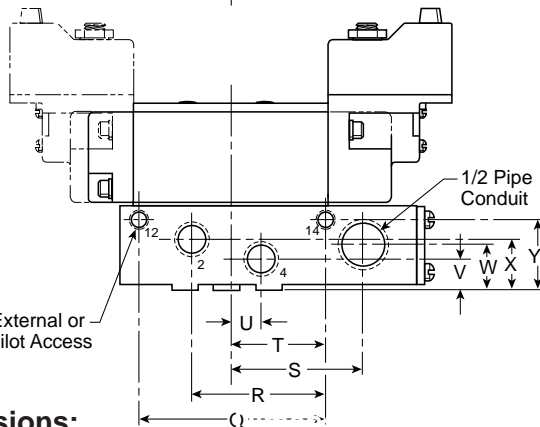
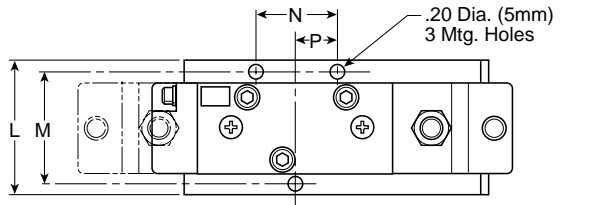
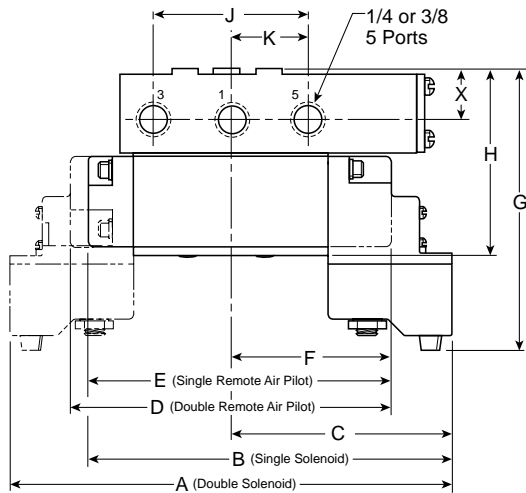
Note: Shaded units are not standard stock items.

* Low watt operator



Note: Shaded options have been discontinued. Refer to back of Catalog for Cross Reference Information.

**2 & 3-Position
Subbase Mounted Valves**

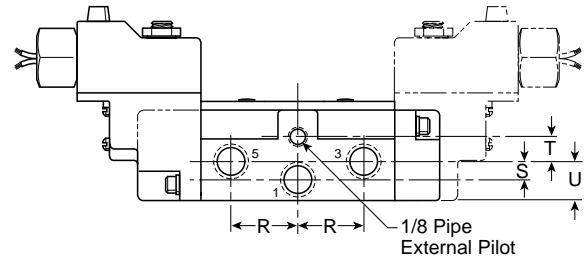
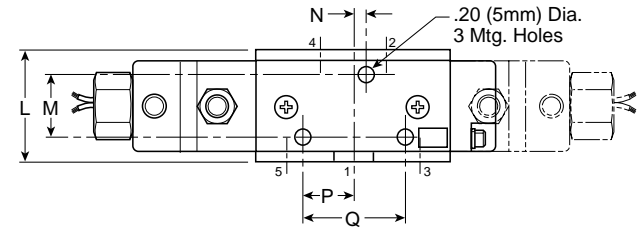
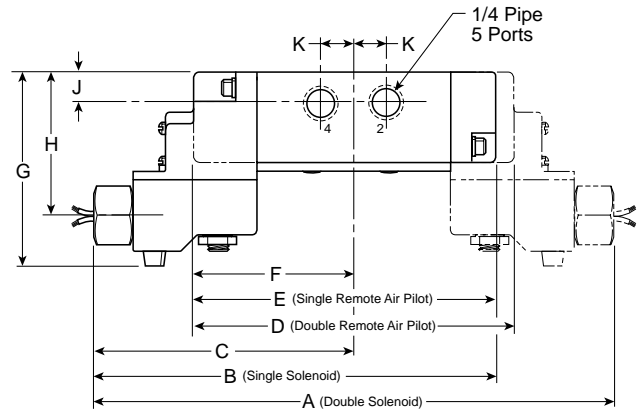


Dimensions:

	inches	mm
A	7.27	185
B	6.03	153
C	3.66	92
D	5.84	148
E	5.29	134
F	2.92	74
G	4.81	122
H	3.27	83
J	2.56	65
K	1.28	32
L	2.25	57
M	1.90	48

	inches	mm
N	1.28	32
P	.64	16
Q	3.10	79
R	2.22	56
S	2.25	57
T	1.55	39
U	.50	13
V	.47	12
W	.75	19
X	.94	24
Y	1.14	29

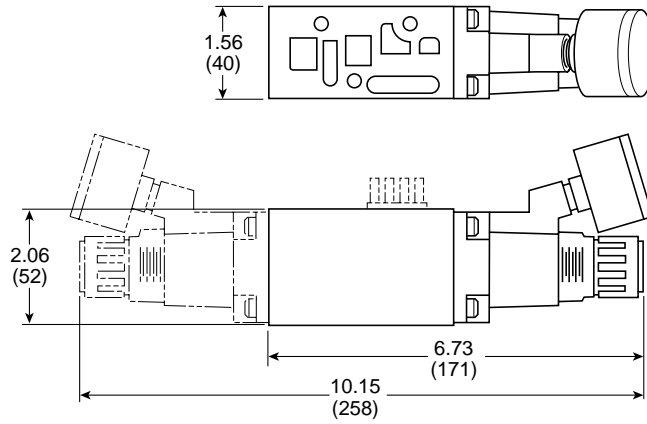
**2 & 3-Position
Direct Pipe Ported Valves**



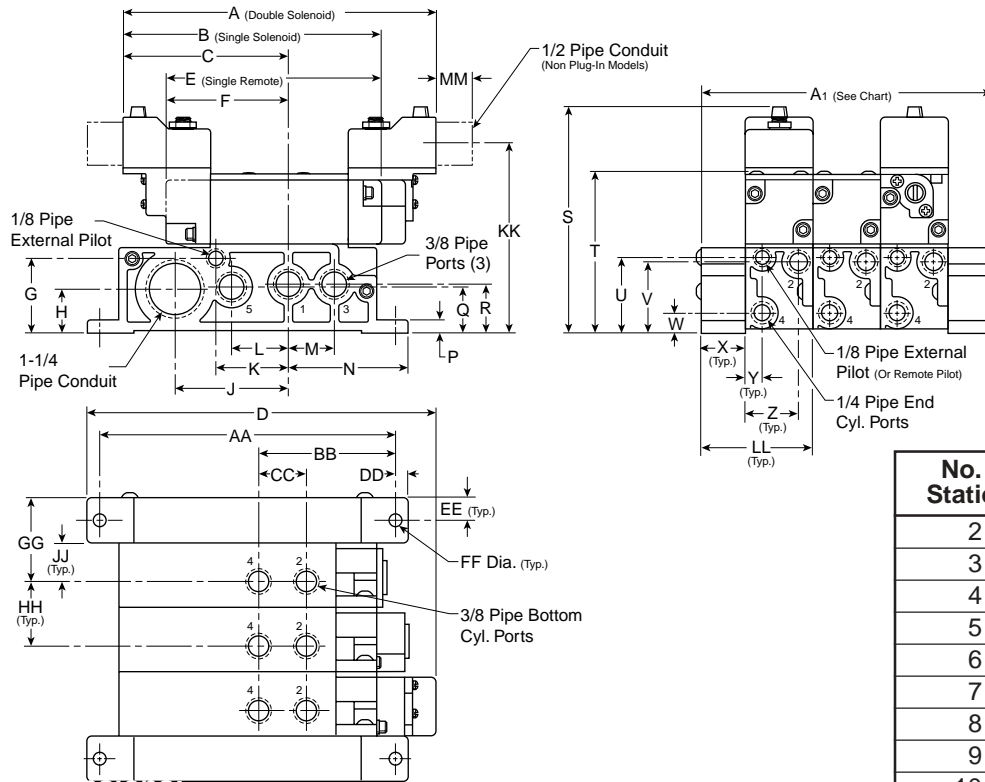
Dimensions:

	inches	mm
A	8.70	221
B	6.75	172
C	4.35	110
D	5.82	148
E	5.31	135
F	2.91	74
G	3.31	84
H	2.37	60
J	.56	14
K	.60	15
L	2.00	84
M	1.03	20

	inches	mm
N	.19	5
P	.98	25
Q	1.56	40
R	1.20	30
S	.31	8
T	.44	11
U	.69	18



Manifold System Dimensions



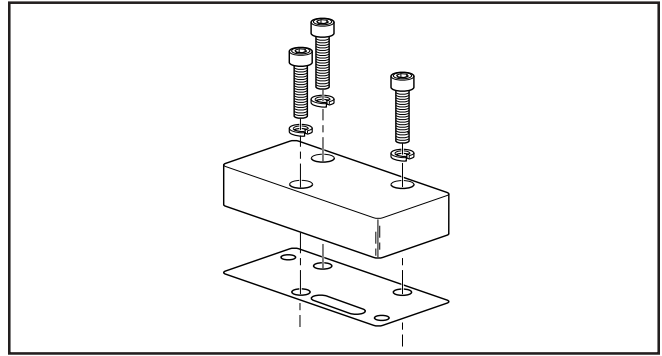
No. of Stations	"A ₁ " Dimension	mm
2	5.26	133
3	6.85	174
4	8.44	214
5	10.03	255
6	11.62	295
7	13.21	336
8	14.80	376
9	16.40	417
10	17.98	457

	A	A₁	B	C	D	E	F	G	H	J	K	L	M
inches	7.27	See Chart	6.03	3.63	8.31	5.29	2.92	1.75	1.02	2.65	1.68	1.30	1.00
mm	185		153	92	211	134	74	44	26	67	43	33	25
	N	P	Q	R	S	T	U	V	W	X	Y	Z	AA
inches	2.83	.31	1.06	1.13	5.28	3.75	1.75	1.66	.46	1.04	.36	1.24	6.84
mm	72	8	27	29	134	95	44	42	12	26	9	32	174
	BB	CC	DD	EE	FF	GG	HH	JJ	KK	LL	MM		
inches	3.10	1.10	.33	.52	.28	2.03	1.59	.99	4.35	2.63	.75		
mm	79	28	8	13	7	52	40	25	110	67	19		

Blank Station Plate

Model No. K342 005

- Allows customizing of Manifold assemblies.
- May be used with either Plug-In or Non-Plug-In Manifolds.
- Includes mounting screws & gasket.

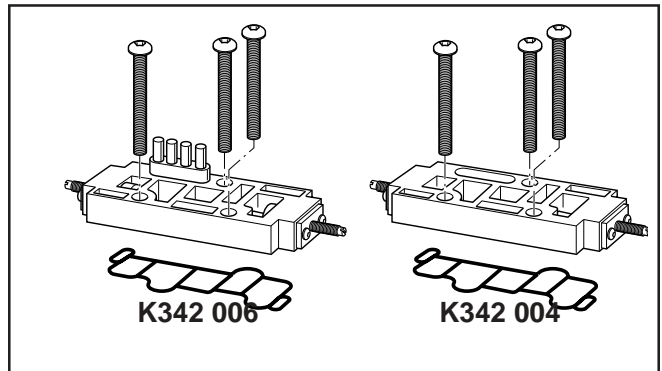


Flow Control “Sandwich”

**Meters Cylinder Exhaust Through Valve
Plug-In – Model No. K342 006**

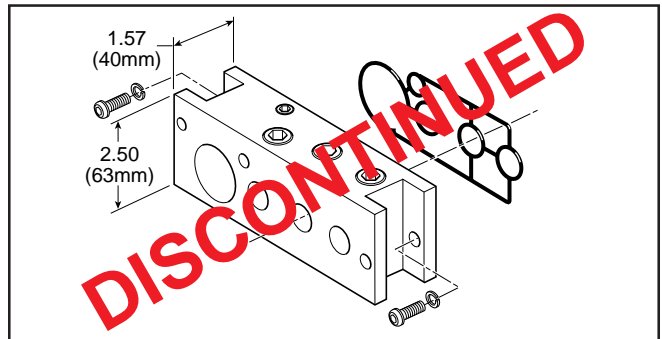
Non Plug-In – Model No. K342 004

- May be used with either Subbase or Manifold Mounted Valves.
- Models shown include mounting screws & gasket.
- “Sandwich” is 1/2" thick.



Manifold Auxiliary Port Base

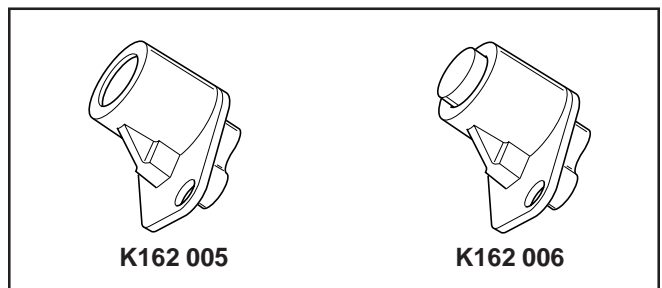
Model No. K142 176



Non-Locking Overrides

Part No. K162 005 & K162 006

- Flush or extended push-button.
- May be ordered in kit form or factory assembled in valve.
- Easily retrofits to Solenoid Operated Sprint Valves.

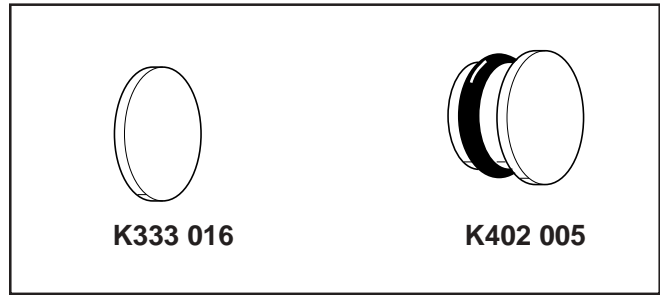


Isolator Plugs**Port Isolator Plug – Part No. K333 016**

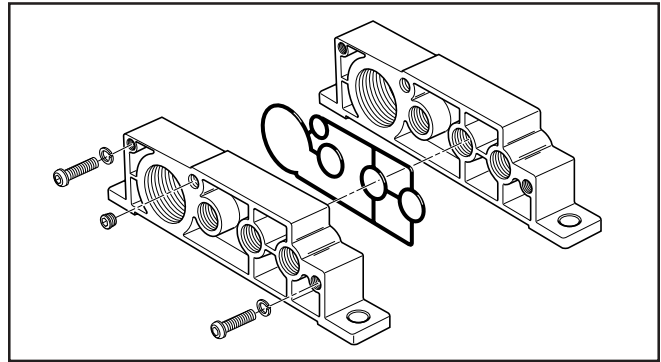
- Plug separates the supply and/or exhaust ports.
- Permits multiple pressures in a manifold.
- Order (1) plug for each internal gallery to be isolated.

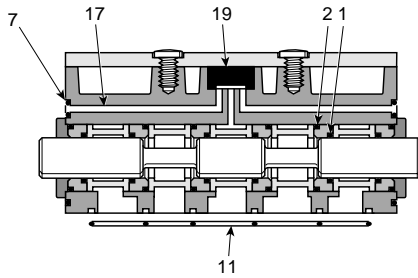
'X'-Port Isolator Plug – Part No. K402 005

- Plug assembly isolates external pilot galleries.

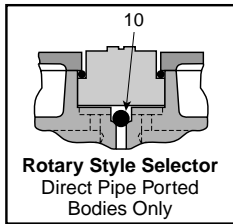
**K333 016****K402 005****Port Adapter Kit****Model No. K122 022**

Note: Kit contains (2) side plates, (1) gasket, (2) screws, (2) washers and (2) 1/8 inch pipe plugs.

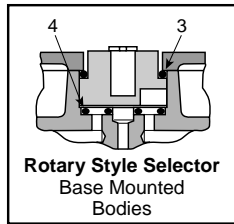




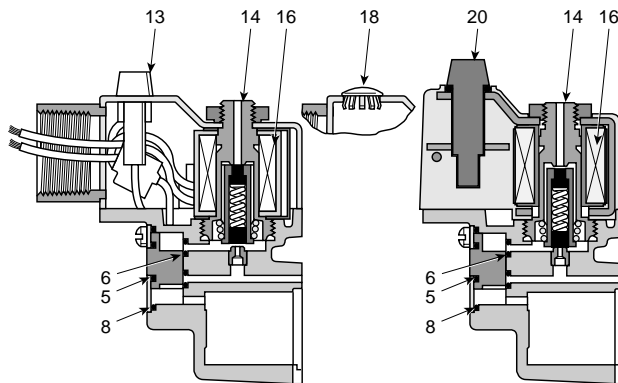
Body Assembly (Plug-In Type)
With Plug Style Selector



Rotary Style Selector
 Direct Pipe Ported
 Bodies Only



Rotary Style Selector
 Base Mounted
 Bodies



Solenoid Sub-Assembly
 For Models NOT Ending With "B"
 (Conduit Version Shown)

Quick Change Coil
 For Models Ending With "B"

Solenoid Subassembly (Includes Coil)

Conduit Type	Plug-In Type*	Description
K172 001 **	K172 005 **	No Options
K172 002 **	K172 006 **	With Manual Locking†
K172 003 **	K172 007 **	With Indicator Light
K172 004 **	K172 008 **	With Indicator Light and Locking Override‡
K172 009 **	K172 013**	With (Flush) Non-Locking Manual Override
K172 010 **	K172 014 **	With Indicator Light and (Flush) Non-Locking Manual Override‡
K172 011 **	K172 015 **	With (Push Button) Non-Locking Manual
K172 012 **	K172 016 **	With Indicator Light and (Push Button) Non-Locking Manual Override‡

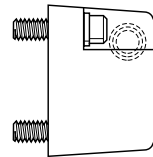
* These solenoid sub assemblies enable conversion to the "B" engineering level.

** Specify Voltage Suffix Code.

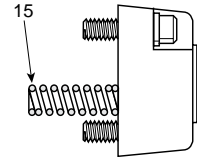
† Only available with 42 or 45 voltage codes.

‡ Only available with 19, 42, or 53 voltage codes.

Note: Shaded areas are no longer available.

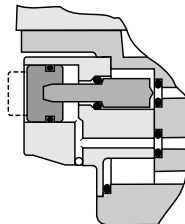


Remote Air Pilot Assembly
 K092 074

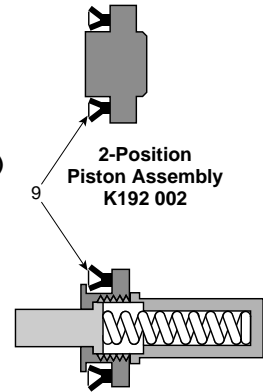


Air Spring Return Assembly
 K092 075

Override Kits
Locking K152 008
Non-Locking overrides are not field serviceable, however, they may be ordered using the subassembly numbers below:
K162 005 Flush
K162 006 Extended (Push Button)



Non-Locking Override Assembly



2-Position Piston Assembly
 K192 002

3-Position Piston Assembly
 K192 003

Service Kit (•) – K352 386

Item No.	Part No.	Description
•1	—	O-ring (Dynamic)
•2	—	O-ring (Static)
•3	—	O-ring (Old Style)
•4	—	O-ring (Old Style)
•5	—	O-ring
•6	—	Seal
•7	—	Seal
•8	—	Seal
•9	—	U-Cup
•10	—	Ball
•19	K213 026	Selector Plug

Sandwich Regulator

Gauges	Model Number
30 PSI	H03272
60 PSI	H03273
160 PSI	H03274
Service Kit	PS460BP

Item No.	Part No.	Description
11	K663 006	Seal (Body to Base)
12	K663 009 (Not Shown)	Seal (Between Manifolds and Port Plate)
13	H191 09	Light 120VAC
	H191 10	Light 24VDC
14	K232 025	Plunger & Guide Assembly
15	K473 053	Spring
16	See Page 13 for Replacement Coils	
17	K493 041	Spool 2-Position
	K493 044	Spool 3-Position (All Ports Blocked)
	K493 042	Spool 3-Position (Cyl. Ports Open to Exhaust)
	K493 043	Spool 3-Position (Cyl. Ports Open to Inlet)
18	H079 09	Plug
20	K252 008	Light 24VDC (Plug-In)
	K252 009	Light 120VAC (Plug-In)

⚠ Caution: Always remove air pressure and electricity from circuit before servicing valve.

Pressure Range

Medium	Internal	External Pilot Supply	Pilot Supply
Air	Main Valve	35-150 PSIG	0-150 PSIG
	Pilot		35-150 PSIG
Vacuum	Main Valve	Do Not Use	28" Hg. Vacuum
	Pilot		35-150 PSIG
Other	Consult Supplier		

Ambient Temperature Range (°F)

All Valves	
*Minimum	Maximum
20	140

! * **CAUTION:** If it is possible that the ambient temperature may fall below freezing, the medium must be moisture free to prevent internal damage or unpredictable behavior.

! **CAUTION:** When Low Watt Voltage Code 19 is specified, Max Pilot Pressure is **90 PSIG**.

Voltage Code, Replacement Coils & Electrical Characteristics.

L □ □ □ □ □ □ □ □ □ □ ** Voltage Code

Quick Change Coils for Model Numbers Ending with “B”

Voltage Code **	Voltage			Coil Number		Power Consumption (Watts)	AC		DC
	60 Hz	50 Hz	DC	With Indicator Light	Unlighted		Inrush (Amps)	Hold (Amps)	Hold (Amps)
19*	—	—	24	K593 307	—	2.5†	—	—	.105
41	—	—	6	—	K593 286	6.0	—	—	.83
42	24	—	—	—	K593 288	6.0	.60	.41	—
45	—	24	12	—	K593 289	6.0	.57	.40	.47
49	—	—	24	K593 303	—	6.0	—	—	.23
53	120	110	—	K593 302	—	6.0	.12	.10	—
57	240	—	—	—	K593 294	6.0	.07	.045	—

† With Indicator Light, 3.1 Watts.

* Max. Pressure: 90 PSIG, 2.8 Watts, 3.4 Watts with indicator lights.

Coils for Model Numbers Not Ending with “B”

Voltage Code **	Voltage			Coil Number		AC		DC
	60 Hz	50 Hz	DC	Plug-In	19" Leads	Inrush (Amps)	Hold (Amps)	Hold (Amps)
19*	—	—	24	K593 283	K593 281	—	—	.105
41	—	—	6	K593 207	K593 167	—	—	1.30
42	24	—	—	K593 211	K593 169	.60	.40	—
45	—	—	12	K593 213	K593 170	—	—	.60
49	—	—	24	K593 215	K593 171	—	—	.34
53	120	110	—	K593 205	K593 166	.12	.08	—
57	240	—	—	K593 248	K593 175	.07	.04	—

- Notes:**
1. Shaded areas are no longer available.
 2. Indicator lights are only available for 120V/60Hz (110V/50Hz) & 24VDC coils.
 3. Nominal power consumption is 6 watts.
- * Max. Pressure: 90 PSIG, 2.8 Watts, 3.4 Watts with indicator lights.

! **CAUTION:** Low Watt operator derated to 90 PSIG Max.

Listing Agency

Valvair Sprint Solenoid Operated Valves with the following voltage codes are **CANADIAN STANDARDS ASSOCIATION** approved for General Purpose Applications under file No. 18763 “Electrically Operated Valves”:

19 = 24VDC (Low Watt)

42 = 24V 60Hz

49 = 12VDC

45 = 12VDC

53 = 120V 60Hz (110V 50Hz)

Materials of Construction

- Valve Bodies & Bases:** Precision die-cast zinc alloy.
- Spool:** File hard, coated aluminum.
- Valve Spacers & Seal Retainers:** Brass.
- Air Pistons & End Bushings:** Acetal Resin.
- Dynamic Seals:** Polyurethane.
- Static Seals:** Nitrile.
- Coils:** Class 'B', Epoxy encapsulated.

Valve Selection

Safety factors are designed into each valve. However, it is important that the application requirements do not exceed the limits stated for pressure and temperature.

Life Expectancy

Normal multi-million cycle life expectancy of these valves is based on the use of properly filtered and lubricated air at room temperature. These valves are also designed to operate under non-lubricated conditions and will yield millions of maintenance free cycles.

Factory Pre-Lubrication

All valves are pre-lubricated at assembly with a Petroleum Base-Lithium Content grease.

In-Service Lubrication

In-Service Lubrication is not required. However, if lubrication is to be used, F442 oil is recommended. This oil is specially formulated to provide peak performance and maximum service life from all air operated equipment.

Other Recommended Lubricant Specifications

Use a straight Paraffin Base Mineral Oil of viscosity 100-200 SSU @ 100°F and an aniline point range greater than 200°F.

⚠ CAUTION: Do not use synthetic, reconstituted, or oils with an alcohol content.

Technical Information – Pneumatic Valves

Response Data

2-Position Single Solenoid

Average Response Time: (Seconds)*

Port Size & Type	12 Cu. In. Test Chamber		100 Cu. In. Test Chamber	
	Fill	Exhaust	Fill	Exhaust
1/4" Direct Pipe (Inline Mtd.)	.061	.066	.246	.377
1/4" Subbase	.061	.068	.249	.394
1/4" Manifold	.062	.063	.234	.350
3/8" Subbase	.061	.067	.236	.390
•3/8" Manifold	.059	.068	.224	.350

- Measured through bottom ports.
- * With 90 PSIG supply, time required to fill from 0 to 81 PSIG and exhaust from 90 to 9 PSIG is measured from instant of energizing, or de-energizing 120V/60Hz. Times shown are average.

2-Position Double Solenoid

Average Response Time: (Seconds)*

Port Size & Type	12 Cu. In. Test Chamber		100 Cu. In. Test Chamber	
	Fill	Exhaust	Fill	Exhaust
1/4" Direct Pipe (Inline Mtd.)	.038	.059	.221	.377
1/4" Subbase	.036	.063	.219	.393
1/4" Manifold	.035	.057	.208	.345
3/8" Subbase	.036	.059	.211	.380
•3/8" Manifold	.035	.056	.196	.334

- Measured through bottom ports.
- * With 90 PSIG supply, time required to fill from 0 to 81 PSIG and exhaust from 90 to 9 PSIG is measured from instant of energizing, or de-energizing 120V/60Hz. Times shown are average.

Flow Rating (2-Position Valves)

Valve Mounting	C _v			
	Flow Path			
	Port 1 to 2	Port 1 to 4	Port 2 to 3	Port 4 to 5
On 1/4" Base	1.41	1.44	1.41	1.44
On 3/8" Base	1.38	1.42	1.48	1.44
On Manifold	1.41	1.35	1.59	1.52
•On Manifold	1.56	1.43	1.72	1.47
On Manifold w/Flow Control	1.22	1.24	1.32	1.30
Direct Pipe (Inline Mounted)	1.39	1.44	1.50	1.45

Flow Rating (*3-Position Valves)

Valve Mounting	C _v			
	Flow Path			
	Port 1 to 2	Port 1 to 4	Port 2 to 3	Port 4 to 5
On 1/4" Base	1.41	1.36	1.41	1.44
On 3/8" Base	1.37	1.39	1.48	1.39
On Manifold	1.32	1.21	1.59	1.40
•On Manifold	1.54	1.45	1.71	1.50
On Manifold w/Flow Control	1.32	1.25	1.42	1.32

- - Flow through bottom cylinder ports.
- * - All ports blocked in neutral spool configuration (Function 1).

**Sandwich Regulators
Flow Characteristics (C_v)**

Mode of Regulation	C _v			
	Flow Path			
	Port 1 to 2	Port 1 to 4	Port 2 to 3	Port 4 to 5
Common Port	.70	.67	1.70	1.32
Single Port (#4)	1.08	.83	1.58	1.47
Single Port (#2)	.87	.99	1.58	1.47
Independent Port	.80	.74	1.58	1.47

Technical Information – Pneumatic Valves

Function	Diagram	Pilot Selector Setting			Operating Requirements
		Solenoid	Single Remote	Double Remote	
4-Way Directional with Speed Control		1	—	—	Pressure @ Port 1 must be 35-150 PSIG.
		2	3	4	Pressure @ Port X (12 or 14) must be 35-150 PSIG. Port 1 may be vacuum to 150 PSIG.
4-Way Dual Pressure		2	4 *	4	Pressure @ Port X (12 or 14) must be 35-150 PSIG. Ports 3 & 5 may be vacuum to 150 PSIG. Port 1 may be vacuum or exhaust.* On base mounted valves, rotate selector to Position 4 and apply a pilot signal (between 35-150 PSIG) to Port "12", but do not exceed pressure applied to Port "14".
3-Way Normally Closed		1	—	—	Pressure @ Port 1 must be 35-150 PSIG.
		2	3	4	Pressure @ Port X (12 or 14) must be 35-150 PSIG. Port 1 may be vacuum to 150 PSIG.
3-Way Normally Open		1	—	—	Pressure @ Port 1 must be 35-150 PSIG.
		2	3	4	Pressure @ Port X (12 or 14) must be 35-150 PSIG. Port 1 may be vacuum to 150 PSIG.
Selector or Diverter		1	—	—	Pressure @ Port 1 must be 35-150 PSIG, and supplied constantly. Port 3 may be vacuum to 150 PSIG.
		2	3	4	Pressure @ Port X (12 or 14) must be 35-150 PSIG. Port 1, 2 and 3 may be vacuum to 150 PSIG.
2-Way Normally Closed		1	—	—	Pressure @ Port 1 must be 35-150 PSIG.
		2	3	4	Pressure @ Port X (12 or 14) must be 35-150 PSIG. Port 1 may be vacuum to 150 PSIG.
2-Way Normally Open		1	—	—	Pressure @ Port 1 must be 35-150 PSIG.
		2	3	4	Pressure @ Port X (12 or 14) must be 35-150 PSIG. Port 1 may be vacuum to 150 PSIG.

- Notes:**
1. See Pilot Selector Conversion procedure.
 2. 3-Position valves are not illustrated, but they can be used for optional functions in similar fashion to the 2-Position functions shown.
 3. **CAUTION:** Always remove air pressure from valve circuit before converting valve (changing pilot selector setting) for optional function.

Subbase & Manifold Mounted, and Direct Pipe Ported, Single Solenoid, 2-Position

Application

These valves may be used to actuate double acting cylinders. A “maintained” electrical signal shifts the valve. When this signal is removed the valve returns to its normal condition. May be used for dual pressure service.

Mounting

These valves are designed for subbase or modular manifold mountings. Electrical connection from valve to base is automatic. Air & electrical connections remain undisturbed if valve is removed. Valve may be mounted in any position.

Operation

Single Pressure At Inlet Port 1:

De-energized Position – Solenoid operator #14 de-energized. Port 1 is connected to port 2. Port 4 is connected to port 5. Port 3 is blocked.

Energized Position – Solenoid operator #14 energized. Port 1 is connected to port 4. Port 2 is connected to port 3. Port 5 is blocked.

Dual Pressure:

May be used for dual pressure service with pressure at ports 3 & 5 (external pilot must be used). – Exhaust at port 1.

Subbase & Manifold Mounted, and Direct Pipe Ported, Single Remote, 2-Position

Application

These valves may be used to actuate double acting cylinders. A “maintained” pressure signal to the pilot port activates the valve. When this signal is removed, the valve returns to its normal condition.

Operation (Using a 3-Way N.C. Pilot Signal)

Single Pressure At Inlet Port 1:

No pilot pressure applied – Port 1 is connected to port 2. Port 4 is connected to port 5. Port 3 is blocked.

Pilot signal applied to port #14 – Port 1 is connected to port 4. Port 2 is connected to port 3. Port 5 is blocked.

Dual Pressure:

May be used for dual pressure service with pressure at ports 3 & 5. – Exhaust at port 1.

Subbase & Manifold Mounted, and Direct Pipe Ported, Double Solenoid, 2-Position

Application

These valves may be used to actuate double acting cylinders. A “momentary” electrical signal (exceeding .03 seconds) applied to one of the solenoids shifts the valve. It will remain in this position until a “momentary” signal is applied to the other solenoid. May be used for dual pressure service.

Mounting

These valves are designed for subbase or manifold mountings. Electrical connection from valve to base is automatic. Air & electrical connections remain undisturbed if valve is removed. Axis of main valve spool to be in horizontal plane. Valve may be mounted in any position.

Operation

Single Pressure At Inlet Port 1:

Solenoid Operator #12 having been energized last – Port 1 is connected to port 2. Port 4 is connected to port 5. Port 3 is blocked.

Solenoid operator #14 having been energized last – Port 1 is connected to port 4. Port 2 is connected to port 3. Port 5 is blocked.

Dual Pressure:

May be used for dual pressure service with pressure at ports 3 & 5 (external pilot must be used). – Exhaust at port 1.

Subbase & Manifold Mounted, and Direct Pipe Ported, Double Remote, 2-Position

Application

These valves may be used to actuate double acting cylinders. A “momentary” pressure signal applied alternately to each of the pilot ports shifts the valve.

Operation (Using a 3-Way N.C. Pilot Signal)

Single Pressure At Inlet Port 1:

Pilot port #12 having been pressurized last – Port 1 is connected to port 2. Port 4 is connected to port 5. Port 3 is blocked.

Pilot port #14 having been pressurized last – Port 1 is connected to port 4. Port 2 is connected to port 3. Port 5 is blocked.

Dual Pressure:

May be used for dual pressure service with pressure at ports 3 & 5. Exhaust at port 1.

Subbase & Manifold Mounted, and Direct Pipe Ported, Double Solenoid, 3-Position

Application

These valves may be used to actuate double acting cylinders, when “inching” or incremental rod movement is desired. A “momentary” (exceeding .03 seconds) or “maintained” electrical signal applied to one of the solenoids shifts the valve, the valve returns to the “center” condition when the electrical signal is removed. Conversion to external pilot permits the valve to be used for dual pressure service.

Operation

Single Pressure At Port 1:

Both Solenoids De-energized –

Function 1, All ports blocked.

Function 2, Port 1 is blocked. Port 4 is connected to port 5. Port 2 is connected to port 3.

Function 3, Port 1 is connected to ports 2 & 4. Ports 5 & 3 are blocked.

Energize Solenoid Operator #12 – Port 1 is connected to port 2. Port 4 is connected to port 5. Port 3 is blocked.

Energize Solenoid Operator #14 – Port 1 is connected to port 4. Port 2 is connected to port 3. Port 5 is blocked.

Dual Pressure:

May be used for dual pressure service with pressure at ports 3 & 5 (external pilot must be used). – Exhaust at port 1. See Engineering Data on page 39 for conversion procedures.

Sandwich Regulators

Common Port Regulation

This modular air pressure regulator assembly, installed between the valve body and subbase or manifold station, supplies an adjustable, common regulated pressure to both cylinder ports.

- Can be used with sandwich flow control. Install flow control between base and regulator.

Single Port Regulation

This modular air pressure regulator assembly, installed between the valve body and subbase or manifold station, supplies an adjustable regulated pressure to one cylinder port while supplying line pressure to the other cylinder port.

- **Cannot** be used with sandwich flow control.

Independent Port Regulation

This modular air pressure regulator assembly, installed between the valve body and subbase or manifold station, supplies an adjustable regulated pressure to cylinder port 2, and a separate adjustable regulated pressure to cylinder port 4.

- **Cannot** be used with sandwich flow control.

NOTE: When using single or independent port sandwich regulators, be aware that:

- 1) Cylinder port outlets are reversed. Pilot 12 actuates port 4, pilot 14 actuates port 2.
- 2) 3-Position, cylinder ports open to exhaust and cylinder ports open to inlet functions are reversed. To produce a cylinder ports open to exhaust function, order valve with cylinder ports open to inlet. To produce a cylinder ports open to inlet function, order valve with cylinder ports open to exhaust.

⚠ CAUTION: For proper operation of solenoid operated valves with a sandwich regulator, valve pilot selector should be set to the #2 position. See technical information for conversion procedure. A 35 PSIG minimum operating pressure must be supplied to solenoid operated valves.

Remote Air Pilot Operated Valves on Manifolds

Require use of a K402 005 isolator disc installed in manifold “x” gallery. This part comes with the valve assembly.

<u>AL Series Number</u>	<u>Sprint Series Number</u>	<u>Notes</u>	<u>AL Series Number</u>	<u>Sprint Series Number</u>	<u>Notes</u>
AL11A23BAH4900A	L7752210149	2	AL11VXXBG0B900B	L7452640119B	
AL11A23BAH5300A	L7752210153	2	AL11VXXBG01900B	L7452640119B	
AL11A23BAR5300A	L7752210153	2,3	AL11VXXBG04900A	L7452640149B	
AL11A23BBH4500A	L7752210145	2	AL11VXXBG04900B	L7452640149B	
AL11A23BBH4900A	L7752610149	2	AL11VXXBG05300A	L7452640153B	
AL11A23BBH5300A	L7752610153	2	AL11VXXBG05300B	L7452640153B	
AL11A23BEH1900A	L7752210119		AL11VXXBG07900A	L7452640179B	
AL11A23BEH4100A	Refer to Service Kits		AL11VXXBG07900B	L7452640179B	
AL11A23BEH4200A	L7752210142		AL11VXXBJH5300A	L7452810153	
AL11A23BEH4500A	L7752210145		AL11VXXBJ01900B	L7452840119B	
AL11A23BEH4900A	L7752210149		AL11VXXBJ04900A	L7452840149B	
AL11A23BEH5700A	Refer to Service Kits		AL11VXXBJ04900B	L7452840149B	
AL11A23BEH5900A	Refer to Service Kits		AL11VXXBJ05300A	L7452840153B	
AL11A23BFR5300A	L7752410153	1,2	AL11VXXBJ05300B	L7452840153B	
AL11A23BGH5300A	L7752610153		AL11VXXBKH4900A	L7452410149	
AL11A23BJH5300A	L7752810153		AL11VXXBKH5300A	L7452410153	
AL11A23BKH1900A	L7752410119		AL11VXXBK0B900B	L7452440119B	
AL11A23BKH4900A	L7752410149		AL11VXXBK01900A	L7452440119B	
AL11A23BKH5300A	L7752410153		AL11VXXBK01900B	L7452440119B	
AL11A23BKR5300A	L7752410153	3	AL11VXXBK04900A	L7452440149B	
AL11A23B1H5300A	L7752B10153	1	AL11VXXBK04900B	L7452440149B	
AL11A23LAH4900A	L7752210149 (X)	2	AL11VXXBK05300A	L7452440153B	
AL11A23LBH5300A	L7752610153 (X)	1	AL11VXXBK05300B	L7452440153B	
AL11A23LEH4200A	L7752210142 (X)		AL11VXXB205300B	L7452B40153B	
AL11A23LEH5700A	Refer to Service Kits		AL11VXXLE04900B	L7452240149B (X)	
AL11A23LKH4900A	L7752410149 (X)		AL11VXXLG05300B	L7452640153B (X)	
AL11A23LKH5300A	L7752410153 (X)		AL11VXXLG07900A	L7452640179B (X)	
AL11A23LKR4900A	L7752410149 (X)	3	AL11VXXLG07900B	L7452640179B (X)	
AL11VXXBA05300A	L7452240153B	2	AL11VXXLK04900B	L7452440149B (X)	
AL11VXXBA05300B	L7452240153B	2	AL11VXXLK05300A	L7452440153B (X)	
AL11VXXBBH4900A	L7452610149	1	AL11VXXLK05300B	L7452440153B (X)	
AL11VXXBBH7900A	L7452610179	1	AL11321BKW49L6B	L7452440149B + K142171 + L85406207B	4
AL11VXXBB0B900B	L7452640119B	1	AL11321BKW4900B	L7452440149B + K142171	4
AL11VXXBB04900A	L7452640149B	1	AL11321BKW53L6B	L7452440153B + K142171 + L85406207B	4
AL11VXXBB04900B	L7452640149B	1	AL11321BKW5300B	L7452440153B + K142171	4
AL11VXXBB05300A	L7452640153B	1	AL11323BAN5300B	L7452240153B + K142175	2
AL11VXXBB05300B	L7452640153B	1	AL11323BAN536CB	L7452240153B + K142175 + L85406200B	2
AL11VXXBB07900B	L7452640179B	1	AL11323BBN1900B	L7452640119B + K142175	1
AL11VXXBDH5300A	L7452810153	1	AL11323BBN4200A	Refer to Service Kits	
AL11VXXBD01900B	L7452840119B	1	AL11323BBN4900A	L7452640149B + K142175	1
AL11VXXBD05300A	L7452840153B	1	AL11323BBN4900B	L7452640149B + K142175	1
AL11VXXBD05300B	L7452840153B	1	AL11323BBN4901A	L7452640149B + K142175 + K342006	1
AL11VXXBEH4300A	Refer to Service Kits		AL11323BBN4901B	L7452640149B + K142175 + K342006	1
AL11VXXBEH4900A	L7452210149		AL11323BBN496CA	L7452640149B + K142175 + L85406200B	1
AL11VXXBEH5300A	L7452210153		AL11323BBN496CB	L7452640149B + K142175 + L85406200B	1
AL11VXXBEH5900A	Refer to Service Kits		AL11323BBN4966B	L7452640149B + K142175 + L85406206B	1
AL11VXXBE04200A	Refer to Service Kits		AL11323BBN5300A	L7452640153B + K142175	1
AL11VXXBE04200B	Refer to Service Kits		AL11323BBN5300B	L7452640153B + K142175	1
AL11VXXBE04500B	L7452240145B		Notes		
AL11VXXBE04900A	L7452240149B		1. Available with locking override & light only		
AL11VXXBE04900B	L7452240149B		2. Available with locking override only		
AL11VXXBE05700A	Refer to Service Kits		3. Available with 19 inch leads only		
			4. Available with NPT ports only		
			5. Regulator only available with 2 to 60 PSI w/ gauge		
			6. Regulator only available with 5 to 125 PSI w/ gauge		
			7. Regulator option no longer available		
			8. Available with 6 inch leads in base only		
			(X) Valve must be converted to external pilot		

<u>AL Series Number</u>	<u>Sprint Series Number</u>	<u>Notes</u>	<u>AL Series Number</u>	<u>Sprint Series Number</u>	<u>Notes</u>
AL11323BBN5301A	L7452640153B + K142175 + K342006	1	AL11323BGN4966A	L7452640149B + K142175 + L85406206B	
AL11323BBN5301B	L7452640153B + K142175 + K342006	1	AL11323BGN4966B	L7452640149B + K142175 + L85406206B	
AL11323BBN536CB	L7452640153B + K142175 + L85406200B	1	AL11323BGN53L6B	L7452640153B + K142175 + L85406207B	
AL11323BBN571CB	Refer to Service Kits		AL11323BGN5300A	L7452640153B + K142175	
AL11323BBN7900B	L7452540179B + K142175		AL11323BGN5300B	L7452640153B + K142175	
AL11323BBR495CA	L7452610149 + K142174 + L85405200N	1,3	AL11323BGN5301A	L7452640153B + K142175 + K342006	
AL11323BBW1900B	L7452640119B + K142171	1	AL11323BGN5301B	L7452640153B + K142175 + K342006	
AL11323BBW4900B	L7452640149B + K142171	1	AL11323BGN535CA	L7452640153B + K142175 + L85405200B	
AL11323BBW495CA	L7452640149B + K142171 + L85405200B	1	AL11323BGN535CB	L7452640153B + K142175 + L85405200B	
AL11323BBW5300A	L7452640153B + K142171	1	AL11323BGN5355B	L7452640153B + K142175 + L85405205B	
AL11323BBW5300B	L7452640153B + K142171	1	AL11323BGN5356B	L7452640153B + K142175 + L85406206B	6
AL11323BBW5301A	L7452640153B + K142171 + K342006	1	AL11323BGN536CA	L7452640153B + K142175 + L85406200B	
AL11323BBW5301B	L7452640153B + K142171 + K342006	1	AL11323BGN536CB	L7452640153B + K142175 + L85406200B	
AL11323BB3B900B	L7452640119B + K142175	1,4	AL11323BGN536LA	L7452640153B + K142175 + L85407206B	
AL11323BDN5300B	L7452840153B + K142175	1	AL11323BGN5366A	L7452640153B + K142175 + L85406206B	
AL11323BDW5300B	L7452840153B + K142171	1	AL11323BGN5366B	L7452640153B + K142175 + L85406206B	
AL11323BEN1900B	L7452240119B + K142175		AL11323BGN79L8A	L7452640179B + K142175 + L85405207B	5
AL11323BEN1901B	L7452240119B + K142175 + K342006		AL11323BGN79L9A	L7452640179B + K142175 + L85406207B	6
AL11323BEN193CB	L7452240119B + K142175 + L85403200B		AL11323BGN7900A	L7452640179B + K142175	
AL11323BEN4200B	Refer to Service Kits		AL11323BGN7900B	L7452640179B + K142175	
AL11323BEN426CB	Refer to Service Kits		AL11323BGN7901A	L7452640179B + K142175 + K342006	
AL11323BEN4300B	Refer to Service Kits		AL11323BGN7901B	L7452640179B + K142175 + K342006	
AL11323BEN4500A	L7452240145B + K142175		AL11323BGN795CB	L7452640179B + K142175 + L85405200B	
AL11323BEN4500B	L7452240145B + K142175		AL11323BGN796CB	L7452640179B + K142175 + L85406200B	
AL11323BEN453CA	L7452240145B + K142175 + L85403200B		AL11323BGN798LA	L7452640179B + K142175 + L85407205B	5
AL11323BEN4566B	L7452240145B + K142175 + L85406206B		AL11323BGN799CA	L7452640179B + K142175 + L85406200B	6
AL11323BEN4900A	L7452240149B + K142175		AL11323BGN799CB	L7452640179B + K142175 + L85406200B	
AL11323BEN4900B	L7452240149B + K142175		AL11323BGW1900B	L7452640119B + K142171	
AL11323BEN496CB	L7452240149B + K142175 + L85406200B		AL11323BGW4900A	L7452640149B + K142171	
AL11323BEN5300A	L7452240153B + K142175		AL11323BGW4900B	L7452640149B + K142171	
AL11323BEN5300B	L7452240153B + K142175		AL11323BGW4901A	L7452640149B + K142171 + K342006	
AL11323BEN5301A	L7452240153B + K142175 + K342006		AL11323BGW53L6B	L7452640153B + K142171 + L85406207B	
AL11323BEN5301B	L7452240153B + K142175 + K342006		AL11323BGW5300A	L7452640153B + K142171	
AL11323BEN536CB	L7452240153B + K142175 + L85406200B		AL11323BGW5300B	L7452640153B + K142171	
AL11323BEN5700A	Refer to Service Kits		AL11323BGW5301B	L7452640153B + K142171 + K342006	
AL11323BEN5700B	Refer to Service Kits		AL11323BGW536CB	L7452640153B + K142171 + L85406200B	
AL11323BEN5701A	Refer to Service Kits		AL11323BGW7900A	L7452640179B + K142171	
AL11323BEN5701B	Refer to Service Kits		AL11323BGW7900B	L7452640179B + K142171	
AL11323BEN576LB	Refer to Service Kits		AL11323BGW7901A	L7452640179B + K142171 + K342006	
AL11323BEN5900A	Refer to Service Kits		AL11323BGW793CA	L7452640179B + K142171 + L85403200B	
AL11323BEN5900B	Refer to Service Kits		AL11323BGW798CA	L7452640179B + K142171 + L85405200B	5
AL11323BEN5901B	Refer to Service Kits		AL11323BGW799CB	L7452640179B + K142171 + L85406200B	6
AL11323BEN596LA	Refer to Service Kits		AL11323BG27900B	L7452640179B + K142292	
AL11323BEN796CB	L7452240179B + K142175 + L85406200B		AL11323BG2796CB	L7452640179B + K142175 + L85406200B	8
AL11323BFW536CB	L7452440153B + K142175 + L85406200B	1	AL11323BG2798CB	L7452640179B + K142175 + L85405200B	5,8
AL11323BGH5300A	L7452610153 + K142174		AL11323BG379L6B	L7452640179B + K142175 + L85406207B	8
AL11323BGH536CA	L7452610153 + K142174 + L85406200N		AL11323BG37900B	L7452640179B + K142175	8
AL11323BGNB900B	L7452640119B + K142175		AL11323BG9B900B	Refer to Service Kits	
AL11323BGN1900B	L7452640119B + K142175		Notes		
AL11323BGN1955B	L7452640119B + K142175 + L85405205B		1. Available with locking override & light only		
AL11323BGN4900A	L7452640149B + K142175		2. Available with locking override only		
AL11323BGN4900B	L7452640149B + K142175		3. Available with 19 inch leads only		
AL11323BGN4901B	L7452640149B + K142175 + K342006		4. Available with NPT ports only		
AL11323BGN494CB	L7452640149B + K142175 + L85405200B	5	5. Regulator only available with 2 to 60 PSI w/ gauge		
AL11323BGN4956B	L7452640149B + K142175 + L85406206B	6	6. Regulator only available with 5 to 125 PSI w/ gauge		
AL11323BGN496CB	L7452640149B + K142175 + L85406200B		7. Regulator option no longer available		
			8. Available with 6 inch leads in base only		
			(X) Valve must be converted to external pilot		

<u>AL Series Number</u>	<u>Sprint Series Number</u>	<u>Notes</u>	<u>AL Series Number</u>	<u>Sprint Series Number</u>	<u>Notes</u>
AL11323BJN4900A	L7452840149B + K142175		AL11323BKN5300A	L7452440153B + K142175	
AL11323BJN4900B	L7452840149B + K142175		AL11323BKN5300B	L7452440153B + K142175	
AL11323BJN495LA	L7452840149B + K142175 + L85407205B		AL11323BKN5301A	L7452440153B + K142175 + K342006	
AL11323BJN495LB	L7452840149B + K142175 + L85407205B		AL11323BKN5301B	L7452440153B + K142175 + K342006	
AL11323BJN496CA	L7452840149B + K142175 + L85406200B		AL11323BKN531CA	L7452440153B + K142175 + L85405200B	5
AL11323BJN5300A	L7452840153B + K142175		AL11323BKN532LB	L7452440153B + K142175 + L85407205B	5
AL11323BJN5300B	L7452840153B + K142175		AL11323BKN533CA	L7452440153B + K142175 + L85403200B	
AL11323BJN5301A	L7452840153B + K142175 + K342006		AL11323BKN534CA	L7452440153B + K142175 + L85405200B	5
AL11323BJN5301B	L7452840153B + K142175 + K342006		AL11323BKN534CB	L7452440153B + K142175 + L85405200B	5
AL11323BJN536CA	L7452840153B + K142175 + L85406200B		AL11323BKN535CA	L7452440153B + K142175 + L85405200B	
AL11323BJN5366B	L7452840153B + K142175 + L85406206B		AL11323BKN535CB	L7452440153B + K142175 + L85405200B	
AL11323BJW4900A	L7452840149B + K142171		AL11323BKN536CA	L7452440153B + K142175 + L85406200B	
AL11323BJW4900B	L7452840149B + K142171		AL11323BKN536CB	L7452440153B + K142175 + L85406200B	
AL11323BJW4901A	L7452840149B + K142171 + K342006		AL11323BKN536LA	L7452440153B + K142175 + L85407206B	
AL11323BJW53L6A	L7452840153B + K142171 + L85406207B		AL11323BKN5366A	L7452440153B + K142175 + L85406206B	
AL11323BJW5300A	L7452840153B + K142171		AL11323BKN5366B	L7452440153B + K142175 + L85406206B	
AL11323BJW5300B	L7452840153B + K142171		AL11323BKN7900B	L7452440179B + K142175	
AL11323BJW5301A	L7452840153B + K142171 + K342006		AL11323BKN7901A	L7452440179B + K142175 + K342006	
AL11323BJW532LA	L7452840153B + K142171 + L85407205B	5	AL11323BKN7901B	L7452440179B + K142175 + K342006	
AL11323BJW534CA	L7452840153B + K142171 + L85405200B	5	AL11323BKW1900B	L7452440119B + K142171	
AL11323BJW536CA	L7452840153B + K142171 + L85406200B		AL11323BKW4900A	L7452440149B + K142171	
AL11323BJW536CB	L7452840153B + K142171 + L85406200B		AL11323BKW4900B	L7452440149B + K142171	
AL11323BJW536LB	L7452840153B + K142171 + L85407206B		AL11323BKW4901A	L7452440149B + K142171 + K342006	
AL11323BJW5365B	L7452840153B + K142171 + L85406206B	6	AL11323BKW4955A	L7452440149B + K142171 + L85405205B	
AL11323BJW5366B	L7452840153B + K142171 + L85406206B		AL11323BKW496CA	L7452440149B + K142171 + L85406200B	
AL11323BJW7900A	L7452840179B + K142171		AL11323BKW53L1B	L7452440153B + K142171 + L85405207B	5
AL11323BJW7901A	L7452840179B + K142171 + K342006		AL11323BKW53L4A	L7452440153B + K142171 + L85405207B	5
AL11323BKH1900A	L7452410119 + K142174		AL11323BKW53L6A	L7452440153B + K142171 + L85406207B	
AL11323BKH4200A	Refer to Service Kits		AL11323BKW53L6B	L7452440153B + K142171 + L85406207B	
AL11323BKH4900A	L7452410149 + K142174		AL11323BKW5300A	L7452440153B + K142171	
AL11323BKH5300A	L7452410153 + K142174		AL11323BKW5300B	L7452440153B + K142171	
AL11323BKNB900B	L7452440119B + K142175		AL11323BKW5301A	L7452440153B + K142171 + K342006	
AL11323BKN1900B	L7452440119B + K142175		AL11323BKW5301B	L7452440153B + K142171 + K342006	
AL11323BKN193CB	L7452440119B + K142175 + L85403200B		AL11323BKW533CB	L7452440153B + K142171 + L85403200B	
AL11323BKN195CB	L7452440119B + K142175 + L85405200B		AL11323BKW534CA	L7452440153B + K142171 + L85405200B	5
AL11323BKN196CB	L7452440119B + K142175 + L85406200B		AL11323BKW534CB	L7452440153B + K142171 + L85405200B	5
AL11323BKN4900A	L7452440149B + K142175		AL11323BKW534LA	L7452440153B + K142171 + L85407205B	5
AL11323BKN4900B	L7452440149B + K142175		AL11323BKW535CA	L7452440153B + K142171 + L85405200B	
AL11323BKN4901A	L7452440149B + K142175 + K342006		AL11323BKW535CB	L7452440153B + K142171 + L85405200B	
AL11323BKN4901B	L7452440149B + K142175 + K342006		AL11323BKW535LA	L7452440153B + K142171 + L85407205B	
AL11323BKN492LA	L7452440149B + K142175 + L85407205B	5	AL11323BKW536CA	L7452440153B + K142171 + L85406200B	
AL11323BKN493CB	L7452440149B + K142175 + L85403200B		AL11323BKW536CB	L7452440153B + K142171 + L85406200B	
AL11323BKN494CA	L7452440149B + K142175 + L85405200B	5	AL11323BKW5366A	L7452440153B + K142171 + L85406206B	
AL11323BKN494CB	L7452440149B + K142175 + L85405200B	5	AL11323BKW5366B	L7452440153B + K142171 + L85406206B	
AL11323BKN495CA	L7452440149B + K142175 + L85405200B		AL11323BKW7900B	L7452440179B + K142171	
AL11323BKN495CB	L7452440149B + K142175 + L85405200B		AL11323BKW7901B	L7452440179B + K142171 + K342006	
AL11323BKN495LA	L7452440149B + K142175 + L85407205B		AL11323BK349L6B	L7452440149B + K142175 + L85406207B	8
AL11323BKN496CA	L7452440149B + K142175 + L85406200B		AL11323BK34900B	L7452440149B + K142175	8
AL11323BKN496CB	L7452440149B + K142175 + L85406200B		Notes		
AL11323BKN53L3A	L7452440153B + K142175 + L85403207B		1. Available with locking override & light only		
AL11323BKN53L3B	L7452440153B + K142175 + L85403207B		2. Available with locking override only		
AL11323BKN53L4B	L7452440153B + K142175 + L85405207B	5	3. Available with 19 inch leads only		
AL11323BKN53L5A	L7452440153B + K142175 + L85405207B		4. Available with NPT ports only		
AL11323BKN53L5B	L7452440153B + K142175 + L85405207B		5. Regulator only available with 2 to 60 PSI w/ gauge		
AL11323BKN53L6A	L7452440153B + K142175 + L85406207B		6. Regulator only available with 5 to 125 PSI w/ gauge		
AL11323BKN53L6B	L7452440153B + K142175 + L85406207B		7. Regulator option no longer available		
			8. Available with 6 inch leads in base only		
			(X) Valve must be converted to external pilot		

<u>AL Series Number</u>	<u>Sprint Series Number</u>	<u>Notes</u>	<u>AL Series Number</u>	<u>Sprint Series Number</u>	<u>Notes</u>
AL11323BK37900B	L7452440179B + K142175	8	AL11523BDN4900B	L7452840149B + K022112	1
AL11323BK55300B	L7452440153B + K142175	8	AL11523BDN5300A	L7452840153B + K022112	1
AL11323LBN5300A	L7452540153B (X) + K142175		AL11523BDN5700A	Refer to Service Kits	
AL11323LBN5300B	L7452540153B (X) + K142175		AL11523BEH4300A	Refer to Service Kits	
AL11323LBN7900B	L7452540179B (X) + K142175		AL11523BEH4500B	L7452210145 + K022077	
AL11323LBN796CB	L7452540179B (X) + K142175	7	AL11523BEH5300A	L7452210153 + K022077	
AL11323LEN4900B	L7452240149B (X) + K142175		AL11523BEN4200A	Refer to Service Kits	
AL11323LEN494CA	L7452240149B (X) + K142175	7	AL11523BEN4200B	Refer to Service Kits	
AL11323LEN494CB	L7452240149B (X) + K142175	7	AL11523BEN426CA	Refer to Service Kits	
AL11323LFW5300B	L7452340153B (X) + K142175		AL11523BEN45L3B	L7452240145B + K022112 + L85403207B	
AL11323LGN4900A	L7452640149B (X) + K142175		AL11523BEN45L6B	L7452240145B + K022112 + L85406207B	
AL11323LGN4900B	L7452640149B (X) + K142175		AL11523BEN455CB	L7452240145B + K022112 + L85405200B	
AL11323LGN5300A	L7452640153B (X) + K142175		AL11523BEN456LB	L7452240145B + K022112 + L85407206B	
AL11323LGN5300B	L7452640153B (X) + K142175		AL11523BEN4900A	L7452240149B + K022112	
AL11323LGN5301A	L7452640153B (X) + K142175 + K342006		AL11523BEN4900B	L7452240149B + K022112	
AL11323LGN5366B	L7452340153B (X) + K142175	7	AL11523BEN4901A	L7452240149B + K022112 + K342006	
AL11323LGN7900A	L7452640179B (X) + K142175		AL11523BEN5100B	L7452240151B + K022112	
AL11323LGN796CB	L7452640153B (X) + K142171		AL11523BEN5300A	L7452240153B + K022112	
AL11323LGN796CB	L7452640153B (X) + K142171		AL11523BEN5300B	L7452240153B + K022112	
AL11323LJN53L6A	L7452840153B (X) + K142175	7	AL11523BEN5301A	L7452240153B + K022112 + K342006	
AL11323LJN53L6B	L7452840153B (X) + K142175	7	AL11523BEN5700A	Refer to Service Kits	
AL11323LJN5300A	L7452840153B (X) + K142175		AL11523BEN5700B	Refer to Service Kits	
AL11323LJN5300B	L7452840153B (X) + K142175		AL11523BEN5900A	Refer to Service Kits	
AL11323LJN533CA	L7452840153B (X) + K142175	7	AL11523BEN5900B	Refer to Service Kits	
AL11323LJN533CB	L7452840153B (X) + K142175	7	AL11523BEW5900A	Refer to Service Kits	
AL11323LJN536CB	L7452840153B (X) + K142175	7	AL11523BGN4900A	L7452640149B + K022112	
AL11323LJW5300B	L7452840153B (X) + K142171		AL11523BGN4900B	L7452640149B + K022112	
AL11323LKN4900B	L7452440149B (X) + K142175		AL11523BGN4901B	L7452640149B + K022112 + K342006	
AL11323LKN496CA	L7452440149B (X) + K142175	7	AL11523BGN496CB	L7452640149B + K022112 + L85406200B	
AL11323LKN5300A	L7452440153B (X) + K142175		AL11523BGN4966B	L7452640149B + K022112 + L85406206B	
AL11323LKN5300B	L7452440153B (X) + K142175		AL11523BGN5300A	L7452640153B + K022112	
AL11323LKN5301A	L7452440153B (X) + K142175 + K342006		AL11523BGN5300B	L7452640153B + K022112	
AL11323LKN5301B	L7452440153B (X) + K142175 + K342006		AL11523BGN5301B	L7452640153B + K022112 + K342006	
AL11323LKN536CA	L7452440153B (X) + K142175	7	AL11523BGN536CA	L7452640153B + K022112 + L85406200B	
AL11323LKN536CB	L7452440153B (X) + K142175	7	AL11523BGN536CB	L7452640153B + K022112 + L85406200B	
AL11323LKW4900A	L7452440149B (X) + K142171		AL11523BGN7900A	L7452640179B + K022112	
AL11323LKW5300A	L7452440153B (X) + K142171		AL11523BGN7900B	L7452640179B + K022112	
AL11323LKW5300B	L7452440153B (X) + K142171		AL11523BGW4900A	L7452640149B + K022112	8
AL11323LKW536CA	L7452440153B (X) + K142171	7	AL11523BGW5300A	L7452640153B + K022112	8
AL11323LKW536CB	L7452440153B (X) + K142171	7	AL11523BGW5300B	L7452640153B + K022112	8
AL11323LK34900B	L7452440149B (X) + K142175	8	AL11523BGW5301B	L7452640153B + K022112 + K342006	8
AL11521BKN4900A	L7452440149B + K022112	4	AL11523BGW7900A	L7452640179B + K022112	8
AL11523BAN5300A	L7452240153B + K022112	2	AL11523BGW7900B	L7452640179B + K022112	8
AL11523BBH5300A	L7452610153 + K022077	1	AL11523BG35300B	L7452640153B + K022112	8
AL11523BBN1900B	L7452640119B + K022112	1	AL11523BJN4900A	L7452840149B + K022112	
AL11523BBN4200B	Refer to Service Kits		AL11523BJN5300A	L7452840153B + K022112	
AL11523BBN4500A	L7452240145B + K022112	2	AL11523BJN5300B	L7452840153B + K022112	
AL11523BBN4900B	L7452640149B + K022112	2	AL11523BJN536CB	L7452840153B + K022112 + L85406200B	
AL11523BBN496CB	L7452640149B + K022112 + L85406200B	1	Notes		
AL11523BBN5300A	L7452640153B + K022112	1	1. Available with locking override & light only		
AL11523BBN5300B	L7452640153B + K022112	1	2. Available with locking override only		
AL11523BBN5700A	Refer to Service Kits		3. Available with 19 inch leads only		
AL11523BBN5700B	Refer to Service Kits		4. Available with NPT ports only		
AL11523BBN5700B	Refer to Service Kits		5. Regulator only available with 2 to 60 PSI w/ gauge		
AL11523BBW5300A	L7452640153B + K022112	1, 8	6. Regulator only available with 5 to 125 PSI w/ gauge		
AL11523BDH4900A	L7452810149 + K022077	1	7. Regulator option no longer available		
AL11523BDN4900A	L7452840149B + K022112	1	8. Available with 6 inch leads in base only		
			(X) Valve must be converted to external pilot		

<u>AL Series Number</u>	<u>Sprint Series Number</u>	<u>Notes</u>	<u>AL Series Number</u>	<u>Sprint Series Number</u>	<u>Notes</u>
AL11523BJW5300A	L7452840153B + K022112	8	AL11533BBN5300B	L7452640153B + K022113	1
AL11523BKH5300A	L7452410153 + K022077		AL11533BBW5300A	L7452640153B + K022113	1, 8
AL11523BKN1900B	L7452440119B + K022112		AL11533BBW5300B	L7452640153B + K022113	1, 8
AL11523BKN49L5A	L7452440149B + K022112 + L854005207B		AL11533BDN4000B	Refer to Service Kits	
AL11523BKN4900A	L7452440149B + K022112		AL11533BDN5300B	L7452840153B + K022113	1
AL11523BKN4900B	L7452440149B + K022112		AL11533BDN536CB	L7452840153B + K022113 + L85406200B	1
AL11523BKN4901A	L7452440149B + K022112 + K342006		AL11533BEN1900B	L7452240119B + K022113	
AL11523BKN4901B	L7452440149B + K022112 + K342006		AL11533BEN4200A	Refer to Service Kits	
AL11523BKN496CB	L7452440149B + K022112 + L85406200B		AL11533BEN4300B	Refer to Service Kits	
AL11523BKN5300A	L7452440153B + K022112		AL11533BEN4500B	L7452240145B + K022113	
AL11523BKN5300B	L7452440153B + K022112		AL11533BEN4900B	L7452240149B + K022113	
AL11523BKN5301A	L7452440153B + K022112 + K342006		AL11533BEN5300A	L7452240153B + K022113	
AL11523BKN5301B	L7452440153B + K022112 + K342006		AL11533BEN5300B	L7452240153B + K022113	
AL11523BKN533CB	L7452440153B + K022112 + L85403200B		AL11533BEN5700B	L7452240157B + K022113	
AL11523BKN5344A	L7452440153B + K022112 + L85403203B	6	AL11533BEN5900B	L7452240159B + K022113	
AL11523BKN535CB	L7452440153B + K022112 + L85405200B		AL11533BEW5900B	L7452240159B + K022113	8
AL11523BKN536CA	L7452440153B + K022112 + L85406200B		AL11533BGN4900A	L7452640149B + K022113	
AL11523BKN536CB	L7452440153B + K022112 + L85406200B		AL11533BGN4900B	L7452640149B + K022113	
AL11523BKN536LB	L7452440153B + K022112 + L85407206B		AL11533BGN496CB	L7452640149B + K022113 + L85406200B	
AL11523BKN5366A	L7452440153B + K022112 + L85406206B		AL11533BGN5300A	L7452640153B + K022113	
AL11523BKN5366B	L7452440153B + K022112 + L85406206B		AL11533BGN5300B	L7452640153B + K022113	
AL11523BKW5300A	L7452440149B + K022112	8	AL11533BGN5301B	L7452640153B + K022113 + K342006	
AL11523BKW5300B	L7452440149B + K022112	8	AL11533BGN535CA	L7452640153B + K022113 + L85405200B	
AL11523BKW5301A	L7452440149B + K022112 + K342006	8	AL11533BGN536CA	L7452640153B + K022113 + L85406200B	
AL11523BKW5301B	L7452440149B + K022112 + K342006	8	AL11533BGN536CB	L7452640153B + K022113 + L85406200B	
AL11523BK55300B	L7452440149B + K022129		AL11533BGN5366A	L7452640153B + K022113 + L85406206B	
AL11523LBN5300A	L7452540153B (X) + K022112		AL11533BGN7900A	L7452640179B + K022113	
AL11523LBN5300B	L7452540153B (X) + K022112		AL11533BGN7900B	L7452640179B + K022113	
AL11523LBN5700A	Refer to Service Kits		AL11533BGN7901A	L7452640179B + K022113 + K342006	
AL11523LEH5700A	Refer to Service Kits		AL11533BGN796CB	L7452640179B + K022113 + L85406200B	
AL11523LEH5900A	Refer to Service Kits		AL11533BGN799CA	L7452640179B + K022113 + L85410200B	
AL11523LEN4501B	L7452240145B (X) + K022112 + K342006		AL11533BGN799CB	L7452640179B + K022113 + L85410200B	
AL11523LEN4900A	L7452240149B (X) + K022112		AL11533BGW4900A	L7452640149B + K022113	8
AL11523LEN4900B	L7452240149B (X) + K022112		AL11533BGW4900B	L7452640149B + K022113	8
AL11523LEN5300A	L7452240153B (X) + K022112		AL11533BGW5300A	L7452640153B + K022113	8
AL11523LEN5300B	L7452240153B (X) + K022112		AL11533BGW5300B	L7452640153B + K022113	8
AL11523LEN5900A	L7452240159B (X) + K022112		AL11533BGW7900B	L7452640179B + K022113	8
AL11523LGN5300A	L7452640153B (X) + K022112		AL11533BJN1900B	L7452840119B + K022113	
AL11523LGN5300B	L7452640153B (X) + K022112		AL11533BJN4900B	L7452840149B + K022113	
AL11523LGN7900A	L7452640179B (X) + K022112		AL11533BJN53L4B	L7452840153B + K022113 + L85404207B	
AL11523LJN5300A	L7452840153B (X) + K022112		AL11533BJN5300A	L7452840153B + K022113	
AL11523LJN5300B	L7452840153B (X) + K022112		AL11533BJN5300B	L7452840153B + K022113	
AL11523LKH5300A	L7452410153 (X) + K022077		AL11533BJN5301A	L7452840153B + K022113 + K342006	
AL11523LKN1900B	L7452440119B (X) + K022112		AL11533BJW5300A	L7452840153B + K022113	8
AL11523LKN4900A	L7452440149B (X) + K022112		AL11533BJW5300B	L7452840153B + K022113	8
AL11523LKN4900B	L7452440149B (X) + K022112		AL11533BKH5300A	L7452410153 + K022078	
AL11523LKN53L4A	L7452440153B (X) + K022112	7	AL11533BKNB900B	L7452440119B + K022113	
AL11523LKN5300A	L7452440153B (X) + K022112				
AL11523LKN5300B	L7452440153B (X) + K022112		Notes		
AL11523LKN5301B	L7452440153B (X) + K022112 + K342006	7	1. Available with locking override & light only		
AL11523LKN534CB	L7452440153B (X) + K022112	7	2. Available with locking override only		
AL11533BAN4200A	Refer to Service Kits		3. Available with 19 inch leads only		
AL11533BBN4200A	Refer to Service Kits		4. Available with NPT ports only		
AL11533BBN4200B	Refer to Service Kits		5. Regulator only available with 2 to 60 PSI w/ gauge		
AL11533BBN4900B	L7452640149B + K022113	1	6. Regulator only available with 5 to 125 PSI w/ gauge		
AL11533BBN5300A	L7452640153B + K022113	1	7. Regulator option no longer available		
			8. Available with 6 inch leads in base only		
			(X) Valve must be converted to external pilot		

<u>AL Series Number</u>	<u>Sprint Series Number</u>	<u>Notes</u>	<u>AL Series Number</u>	<u>Sprint Series Number</u>	<u>Notes</u>
AL11533BKN1900B	L7452440119B + K022113		AL41A23BKH4900A	L7852410249	
AL11533BKN4900A	L7452440149B + K022113		AL41A23BKH5300A	L7852410253	
AL11533BKN4900B	L7452440149B + K022113		AL41A23BKR5300A	L7852410253	3
AL11533BKN4901A	L7452440149B + K022113 + K342006		AL41A23LBR4900A	L7852610249 (X)	1, 3
AL11533BKN4901B	L7452440149B + K022113 + K342006		AL41A23LKH5300A	L7852410249 (X)	
AL11533BKN495CB	L7452440149B + K022113 + L85405200B		AL41VXXBA05300A	L7552240253B	2
AL11533BKN496CA	L7452440149B + K022113 + L85406200B		AL41VXXBB0B900B	L7552640219B	1
AL11533BKN496CB	L7452440149B + K022113 + L85406200B		AL41VXXBB05300B	L7552640253B	1
AL11533BKN53L3B	L7452440153B + K022113 + L85403207B		AL41VXXBD05300A	L7552840253B	1
AL11533BKN53L6B	L7452440153B + K022113 + L85406207B		AL41VXXBD05300B	L7552840253B	1
AL11533BKN5300A	L7452440153B + K022113		AL41VXXBE04000A	Refer to Service Kits	
AL11533BKN5300B	L7452440153B + K022113		AL41VXXBE04200A	Refer to Service Kits	
AL11533BKN5301A	L7452440153B + K022113 + K342006		AL41VXXBE04200B	Refer to Service Kits	
AL11533BKN5301B	L7452440153B + K022113 + K342006		AL41VXXBE04900B	L7552240249B	
AL11533BKN532CB	L7452440153B + K022113 + L85405200B	5	AL41VXXBE05300A	L7552240253B	
AL11533BKN535CB	L7452440153B + K022113 + L85405200B		AL41VXXBE05300B	L7552240253B	
AL11533BKN536CA	L7452440153B + K022113 + L85406200B		AL41VXXBE05900A	L7552240259B	
AL11533BKN536CB	L7452440153B + K022113 + L85406200B		AL41VXXBE05900B	L7552240259B	
AL11533BKN5366A	L7452440153B + K022113 + L85406206B		AL41VXXBGH5300A	L7552610253	
AL11533BKN5366B	L7452440153B + K022113 + L85406206B		AL41VXXBG0B900B	L7552640219B	
AL11533BKW5300A	L7452440153B + K022113	8	AL41VXXBG01900B	L7552640219B	
AL11533BKW5300B	L7452440153B + K022113	8	AL41VXXBG04900A	L7552640249B	
AL11533BKW5301B	L7452440153B + K022113 + K342006	8	AL41VXXBG04900B	L7552640249B	
AL11533BKW5366A	L7452440153B + K022113 + L85406206B	8	AL41VXXBG05300A	L7552640253B	
AL11533LBN5300B	L7452640153B (X) + K022113	1	AL41VXXBG05300B	L7552640253B	
AL11533LEN4500B	L7452240145B (X) + K022113		AL41VXXBG07900A	L7552640279B	
AL11533LEN4966B	L7452240149B (X) + K022113	7	AL41VXXBG07900B	L7552640279B	
AL11533LGN5300A	L7452640153B (X) + K022113		AL41VXXBJ01900B	L7552840219B	
AL11533LGN5300B	L7452640153B (X) + K022113		AL41VXXBJ04900A	L7552840249B	
AL11533LGN7900A	L7452640179B (X) + K022113		AL41VXXBJ04900B	L7552840249B	
AL11533LKN4900B	L7452440149B (X) + K022113		AL41VXXBJ05300A	L7552840253B	
AL11533LKN493LB	L7452440149B (X) + K022113	7	AL41VXXBJ05300B	L7552840253B	
AL11533LKN5300A	L7452440153B (X) + K022113		AL41VXXBKH5300A	L7552410253	
AL11533LKN5300B	L7452440153B (X) + K022113		AL41VXXBK01900A	L7552440219B	
AL11533LKN5366A	L7452440153B (X) + K022113	7	AL41VXXBK01900B	L7552440219B	
AL11533LKN5366B	L7452440153B (X) + K022113	7	AL41VXXBK04900A	L7552440249B	
AL11533LKW4900B	L7452440149B (X) + K022113	8	AL41VXXBK04900B	L7552440249B	
AL11533LKW5300B	L7452440153B (X) + K022113	8	AL41VXXBK05300A	L7552440253B	
AL21VXXBG05300A	Refer to Service Kits		AL41VXXBK05300B	L7552440253B	
AL21VXXBJ05300A	Refer to Service Kits		AL41VXXBK07900B	L7552440279B	
AL21323BGN4900A	Refer to Service Kits		AL41VXXB104200B	Refer to Service Kits	
AL21323BKN195CB	Refer to Service Kits		AL41VXXLG04900B	L7552640249B (X)	
AL21323BKN5300A	Refer to Service Kits		AL41VXXLG05300B	L7552640253B (X)	
AL21323BKN5300B	Refer to Service Kits		AL41VXXLG07900A	L7552640279B (X)	
AL21523BKN5300A	Refer to Service Kits		AL41VXXLG07900B	L7552640279B (X)	
AL21523BKN5300B	Refer to Service Kits		AL41VXXLK04900B	L7552440249B (X)	
AL21533BKN4900B	Refer to Service Kits		AL41VXXLK05300A	L7552440253B (X)	
AL21533BKN5300A	Refer to Service Kits		AL41VXXLK05300B	L7552440253B (X)	
AL21533BKN5301B	Refer to Service Kits		Notes		
AL21533BKW5301A	Refer to Service Kits		1. Available with locking override & light only		
AL41A23BAH5300A	L7852210253	2	2. Available with locking override only		
AL41A23BBH5300A	L7852610253	1	3. Available with 19 inch leads only		
			4. Available with NPT ports only		
			5. Regulator only available with 2 to 60 PSI w/ gauge		
			6. Regulator only available with 5 to 125 PSI w/ gauge		
			7. Regulator option no longer available		
			8. Available with 6 inch leads in base only		
			(X) Valve must be converted to external pilot		
AL41A23BEH5300A	L7852210253				
AL41A23BEH5700A	Refer to Service Kits				
AL41A23BJH5300A	L7852810253				
AL41A23BKH1900A	L7852410219				

<u>AL Series Number</u>	<u>Sprint Series Number</u>	<u>Notes</u>	<u>AL Series Number</u>	<u>Sprint Series Number</u>	<u>Notes</u>
AL41321BKW4900B	L7552440249B + K142171	4	AL41323BGN536CB	L7552640253B + K142175 + L85406200B	
AL41321BKW53L6B	L7552440253B + K142171 + L85406207B	4	AL41323BGN5366B	L7552640253B + K142175 + L85406206B	
AL41321BKW5300B	L7552440253B + K142171	4	AL41323BGN79L9A	L7552640279B + K142175 + L85406207B	6
AL41323BAN5300B	L7552240253B + K142175	2	AL41323BGN7900A	L7552640279B + K142175	
AL41323BAN5301B	L7552240253B + K142175 + K342006	2	AL41323BGN7900B	L7552640279B + K142175	
AL41323BBN4900A	L7552640249B + K142175	1	AL41323BGN7901A	L7552640279B + K142175 + K342006	
AL41323BBN4900B	L7552640249B + K142175	1	AL41323BGN796CB	L7552640279B + K142175 + L85406200B	
AL41323BBN5300A	L7552640253B + K142175	1	AL41323BGN799CB	L7552640279B + K142175 + L8546200B	6
AL41323BBN5300B	L7552640253B + K142175	1	AL41323BGN7999A	L7552640279B + K142175 + L85406206B	6
AL41323BBN5301A	L7552640253B + K142175 + K342006	1	AL41323BGW1900B	L7552640219B + K142171	
AL41323BBN5301B	L7552640253B + K142175 + K342006	1	AL41323BGW4900A	L7552640249B + K142171	
AL41323BBN5901B	Refer to Service Kits		AL41323BGW4900B	L7552640249B + K142171	
AL41323BBN7900B	L7552640279B + K142175	1	AL41323BGW4901A	L7552640249B + K142171 + K342006	
AL41323BBW4900B	L7552640249B + K142171	1	AL41323BGW53L6B	L7552640253B + K142171 + L85406207B	
AL41323BBW5300A	L7552640253B + K142171	1	AL41323BGW5300A	L7552640253B + K142171	
AL41323BDN4200A	L7552840242B + K142175	1	AL41323BGW5300B	L7552640253B + K142171	
AL41323BDN4301B	L7552840243B + K142175 + K342006	1	AL41323BGW7900A	L7552640279B + K142171	
AL41323BDN5300A	L7552840253B + K142175	1	AL41323BGW7900B	L7552640279B + K142171	
AL41323BDN5301B	L7552840253B + K142175 + K342006	1	AL41323BGW7901A	L7552640279B + K142171 + K342006	
AL41323BDN5901B	Refer to Service Kits		AL41323BGW796CB	L7552640279B + K142171 + L85406200B	
AL41323BDW5300B	L7552840253B + K142171	1	AL41323BG27900B	L7552640279B + K142175	8
AL41323BEN1900B	L7552240219B + K142175		AL41323BG2799CB	L7552640279B + K142175 + L85406200B	6,8
AL41323BEN1901B	L7552240219B + K142175 + K342006		AL41323BG37900B	L7552640279B + K142175	8
AL41323BEN4300B	Refer to Service Kits		AL41323BJN4900A	L7552840249B + K142175	
AL41323BEN4500A	L7552240245B + K142175		AL41323BJN4900B	L7552840249B + K142175	
AL41323BEN4900A	L7552240249B + K142175		AL41323BJN4901A	L7552840249B + K142175 + K342006	
AL41323BEN4901A	L7552240249B + K142175 + K342006		AL41323BJN4901B	L7552840249B + K142175 + K342006	
AL41323BEN4901B	L7552240249B + K142175 + K342006		AL41323BJN5300A	L7552840253B + K142175	
AL41323BEN5300A	L7552240253B + K142175		AL41323BJN5300B	L7552840253B + K142175	
AL41323BEN5300B	L7552240253B + K142175		AL41323BJN5301A	L7552840253B + K142175 + K342006	
AL41323BEN536CB	L7552240253B + K142175 + L85406200B		AL41323BJN5301B	L7552840253B + K142175 + K342006	
AL41323BEN5700B	Refer to Service Kits		AL41323BJN536LB	L7552840253B + K142175 + L85407206B	
AL41323BEN576LB	Refer to Service Kits		AL41323BJN5366A	L7552840253B + K142175 + L85406206B	
AL41323BFW5300A	L7552440253B + K142171	1	AL41323BJW4900A	L7552840249B + K142171	
AL41323BFW5300B	L7552440253B + K142171	1	AL41323BJW4901A	L7552840249B + K142171 + K342006	
AL41323BGH5300A	L7552610153 + K142174		AL41323BJW53L6A	L7552840253B + K142171 + L85406207B	
AL41323BGNB900B	L7552640219B + K142175		AL41323BJW53L6B	L7552840253B + K142171 + L85406207B	
AL41323BGNB96LB	L7552640219B + K142175 + L85407206B		AL41323BJW5300A	L7552840253B + K142171	
AL41323BGN1901B	L7552640219B + K142175 + K342006		AL41323BJW5300B	L7552840253B + K142171	
AL41323BGN195CB	L7552640219B + K142175 + L85405200B		AL41323BJW536CB	L7552840253B + K142171 + L85406200B	
AL41323BGN1955B	L7552640219B + K142175 + L85405205B		AL41323BKNB900B	L7552440219B + K142175	
AL41323BGN4900A	L7552640249B + K142175		AL41323BKNB901B	L7552440219B + K142175 + K342006	
AL41323BGN4900B	L7552640249B + K142175		AL41323BKN1900A	L7552440219B + K142175	
AL41323BGN4901B	L7552640249B + K142175 + K342006		AL41323BKN1900B	L7552440219B + K142175	
AL41323BGN4956B	L7552640249B + K142175 + L85406206B	6	AL41323BKN1901B	L7552440219B + K142175 + K342006	
AL41323BGN496CB	L7552640249B + K142175 + L85406200B		AL41323BKN195CB	L7552440219B + K142175 + L85405200B	
AL41323BGN4966B	L7552640249B + K142175 + L85406206B		AL41323BKN196CB	L7552440219B + K142175 + L85406200B	
AL41323BGN53L6B	L7552640253B + K142175 + L85406207B		AL41323BKN4900A	L7552440249B + K142175	
AL41323BGN5300A	L7552640253B + K142175		Notes		
AL41323BGN5300B	L7552640253B + K142175		1. Available with locking override & light only		
AL41323BGN5301A	L7552640253B + K142175 + K342006		2. Available with locking override only		
AL41323BGN5301B	L7552640253B + K142175 + K342006		3. Available with 19 inch leads only		
AL41323BGN535CB	L7552640253B + K142175 + L85405200B		4. Available with NPT ports only		
AL41323BGN535LA	L7552640253B + K142175 + L85407205B		5. Regulator only available with 2 to 60 PSI w/ gauge		
AL41323BGN5355B	L7552640253B + K142175 + L85405205B		6. Regulator only available with 5 to 125 PSI w/ gauge		
AL41323BGN536CA	L7552640253B + K142175 + L85406200B		7. Regulator option no longer available		
			8. Available with 6 inch leads in base only		
			(X) Valve must be converted to external pilot		

<u>AL Series Number</u>	<u>Sprint Series Number</u>	<u>Notes</u>	<u>AL Series Number</u>	<u>Sprint Series Number</u>	<u>Notes</u>
AL41323BKN4900B	L7552440249B + K142175		AL41323LKW5300B	L7552640253B (X) + K142171	
AL41323BKN4901A	L7552440249B + K142175 + K342006		AL41323LKN5300A	L7552440253B (X) + K142175	
AL41323BKN4901B	L7552440249B + K142175 + K342006		AL41323LKN5300B	L7552440253B (X) + K142175	
AL41323BKN495CB	L7552440249B + K142175 + L85405200B		AL41323LKN5301B	L7552440253B (X) + K142175 + K342006	
AL41323BKN4955A	L7552440249B + K142175 + L85405205B		AL41323LKN536CA	L7552440253B (X) + K142175	7
AL41323BKN496CA	L7552440249B + K142175 + L85406200B		AL41323LKN5366A	L7552440253B (X) + K142175	7
AL41323BKN496CB	L7552440249B + K142175 + L85406200B		AL41323LKW5300B	L7552440253B (X) + K142171	
AL41323BKN53L6A	L7552440253B + K142175 + L85406207B		AL41523BAN5300A	L7552240253B + K022112	2
AL41323BKN53L6B	L7552440253B + K142175 + L85406207B		AL41523BBN1900B	L7552640219B + K022112	1
AL41323BKN5300A	L7552440253B + K142175		AL41523BBN4500A	L7552240245B + K022112	2
AL41323BKN5300B	L7552440253B + K142175		AL41523BBN4900A	L7552640249B + K022112	1
AL41323BKN5301A	L7552440253B + K142175 + K342006		AL41523BBN4900B	L7552640249B + K022112	1
AL41323BKN5301B	L7552440253B + K142175 + K342006		AL41523BBN5300A	L7552440253B + K022112	1
AL41323BKN534CA	L7552440253B + K142175 + L85405200B	5	AL41523BBN5300B	L7552640253B + K022112	1
AL41323BKN535CA	L7552440253B + K142175 + L85405200B		AL41523BBN5301A	L7552640253B + K022112 + K342006	1
AL41323BKN5355A	L7552440253B + K142175 + L85405205B		AL41523BBN5301B	L7552640253B + K022112 + K342006	1
AL41323BKN5355B	L7552440253B + K142175 + L85405205B		AL41523BBN5900A	L7552640259B + K022112	1
AL41323BKN536CA	L7552440253B + K142175 + L85406200B		AL41523BBN5900B	L7552640259B + K022112	1
AL41323BKN536CB	L7552440253B + K142175 + L85406200B		AL41523BDN4900B	L7552840249B + K022112	1
AL41323BKN536LA	L7552440253B + K142175 + L85407206B		AL41523BDN5300A	L7552840253B + K022112	1
AL41323BKN5366A	L7552440253B + K142175 + L85406206B		AL41523BEN1900B	L7552240219B + K022112	
AL41323BKN5366B	L7552440253B + K142175 + L85406206B		AL41523BEN4200A	Refer to Service Kits	
AL41323BKN7901B	L7552440279B + K142175 + K342006		AL41523BEN5300A	L7552240253B + K022112	
AL41323BKW1900B	L7552440219B + K142171		AL41523BEN5300B	L7552240253B + K022112	
AL41323BKW1901B	L7552440219B + K142171 + K342006		AL41523BEN5301B	L7552240253B + K022112 + K342006	
AL41323BKW4900A	L7552440249B + K142171		AL41523BGN4900A	L7552640249B + K022112	
AL41323BKW4900B	L7552440249B + K142171		AL41523BGN4900B	L7552640249B + K022112	
AL41323BKW4901A	L7552440249B + K142171 + K342006		AL41523BGN4901B	L7552640249B + K022112 + K342006	
AL41323BKW4901B	L7552440249B + K142171 + K342006		AL41523BGN496CB	L7552640249B + K022112 + L85406200B	
AL41323BKW495LA	L7552440249B + K142171 + L85407205B		AL41523BGN5300A	L7552640253B + K022112	
AL41323BKW495LB	L7552440249B + K142171 + L85407205B		AL41523BGN5300B	L7552640253B + K022112	
AL41323BKW496CA	L7552440249B + K142171 + L85406200B		AL41523BGN5301B	L7552640253B + K022112 + K342006	
AL41323BKW53L5A	L7552440253B + K142171 + L85405207B		AL41523BGN7900A	L7552640279B + K022112	
AL41323BKW53L5B	L7552440253B + K142171 + L85405207B		AL41523BGW4900A	L7552640249B + K022112	8
AL41323BKW53L6B	L7552440253B + K142171 + L85406207B		AL41523BGW5300B	L7552640253B + K022112	8
AL41323BKW5300A	L7552440253B + K142171		AL41523BGW5301A	L7552640253B + K022112 + K342006	8
AL41323BKW5300B	L7552440253B + K142171		AL41523BGW7901A	L7552640279B + K022112 + K342006	8
AL41323BKW5301A	L7552440253B + K142171 + K342006		AL41523BJN4900B	L7552840249B + K022112	
AL41323BKW5301B	L7552440253B + K142171 + K342006		AL41523BJN4901A	L7552840249B + K022112 + K342006	
AL41323BKW533CA	L7552440253B + K142171 + L85403200B		AL41523BJN5300A	L7552840253B + K022112	
AL41323BKW536CA	L7552440253B + K142171 + L85406200B		AL41523BJN5300B	L7552840253B + K022112	
AL41323BKW536CB	L7552440253B + K142171 + L85406200B		AL41523BJN5301A	L7552840253B + K022112 + K342006	
AL41323BKW5366B	L7552440253B + K142171 + L85406206B		AL41523BJN5301B	L7552840253B + K022112 + K342006	
AL41323BKW7901B	L7552440279B + K142171		AL41523BJW5300A	L7552840253B + K022112	8
AL41323BK34900B	L7552440249B + K142175	8	AL41523BKH5300B	L7552410253 + K022077	
AL41323BK37900B	L7552440279B + K142175 + K342006	8	AL41523BKN1900B	L7552440219B + K022112	
AL41323BK55300B	L7552440253B + K142175	8	AL41523BKN4900A	L7552440249B + K022112	
AL41323LBN5300A	L7552640253B (X) + K142175	1	AL41523BKN4900B	L7552440249B + K022112	
AL41323LEN496CA	L7552240249B (X) + K142175	7	Notes		
AL41323LFN5300A	L7752440253B (X) + K142175	1	1. Available with locking override & light only		
AL41323LGN4900B	L7552640249B (X) + K142175		2. Available with locking override only		
AL41323LGN5300A	L7552640253B (X) + K142175		3. Available with 19 inch leads only		
AL41323LGN5300B	L7552640253B (X) + K142175		4. Available with NPT ports only		
AL41323LGN5300B	L7552640253B (X) + K142175		5. Regulator only available with 2 to 60 PSI w/ gauge		
AL41323LGN536CA	L7552640253B (X) + K142175	7	6. Regulator only available with 5 to 125 PSI w/ gauge		
AL41323LGN799CA	L7552640279B (X) + K142175	6, 7	7. Regulator option no longer available		
AL41323LKW5300A	L7552640253B (X) + K142171		8. Available with 6 inch leads in base only		
			(X) Valve must be converted to external pilot		

<u>AL Series Number</u>	<u>Sprint Series Number</u>	<u>Notes</u>	<u>AL Series Number</u>	<u>Sprint Series Number</u>	<u>Notes</u>
AL41523BKN4945B	L7552440249B + K022112 + L85405205B	5	AL41533BJN5300B	L7552840253B + K022113	
AL41523BKN496CA	L7552440249B + K022112 + L85406200B		AL41533BJW5300A	L7552840253B + K022113	8
AL41523BKN5300A	L7552440253B + K022112		AL41533BKH4900A	L7552410149 + K02278	
AL41523BKN5300B	L7552440253B + K022112		AL41533BKN1900A	L7552440219B + K022113	
AL41523BKN5301A	L7552440253B + K022112 + K342006		AL41533BKN1900B	L7552440219B + K022113	
AL41523BKN5301B	L7552440253B + K022112 + K342006		AL41533BKN4900A	L7552440249B + K022113	
AL41523BKN536CA	L7552440253B + K022112 + L85406200B		AL41533BKN4900B	L7552440249B + K022113	
AL41523BKN536CB	L7552440253B + K022112 + L85406200B		AL41533BKN4901A	L7552440249B + K022113 + K342006	
AL41523BKW4900A	L7552440249B + K022112	8	AL41533BKN493CA	L7552440249B + K022113 + L85403200B	
AL41523BKW495LA	L7552440249B + K022112 + L85407205B	8	AL41533BKN496CB	L7552440249B + K022113 + L85406200B	
AL41523BKW5300A	L7552440253B + K022112	8	AL41533BKN5300A	L7552440253B + K022113	
AL41523BKW5301A	L7552440249B + K022112 + K342006	8	AL41533BKN5300B	L7552440253B + K022113	
AL41523LBN5300A	L7552640253B (K) + K022112	1	AL41533BKN5301A	L7552440253B + K022113 + K342006	
AL41523LEN5300A	L7552240253B (X) + K022112		AL41533BKN5301B	L7552440253B + K022113 + K342006	
AL41523LJN5300A	L7552640253B (X) + K022112		AL41533BKN535CB	L7552440253B + K022113 + L85405200B	
AL41523LKN5300A	L7552440253B (X) + K022112		AL41533BKN5355A	L7552440253B + K022113 + L85405205B	
AL41523LKN5300B	L7552440253B (X) + K022112		AL41533BKN5355B	L7552440253B + K022113 + L85405205B	
AL41533BBN4900B	L7552640249B + K022113	1	AL41533BKN536CA	L7552440253B + K022113 + L85406200B	
AL41533BBN5300A	L7552640253B + K022113	1	AL41533BKN536CB	L7552440253B + K022113 + L85406200B	
AL41533BBN5300B	L7552640253B + K022113	1	AL41533BKN5366B	L7552440253B + K022113 + L85406206B	
AL41533BBN5700A	Refer to Service Kits		AL41533BKW4900A	L7552440249B + K022113	8
AL41533BBW5300A	L7552640253B + K022113	1, 8	AL41533BKW4900B	L7552440249B + K022113	8
AL41533BBW5300B	L7552640253B + K022113	1, 8	AL41533BKW4901A	L7552440249B + K022113 + K342006	8
AL41533BEH5300A	L7552210253 + K022078		AL41533BKW5300A	L7552440253B + K022113	8
AL41533BEN1900B	L7552240219B + K022113		AL41533BKW5300B	L7552440253B + K022113	8
AL41533BEN4200A	Refer to Service Kits		AL41533BKW5301A	L7552440253B + K022113 + K342006	8
AL41533BEN4200B	Refer to Service Kits		AL41533BKW5301B	L7552440253B + K022113 + K342006	8
AL41533BEN4500A	L7552240245B + K022113		AL41533LGN4900B	L7552640249B (X) + K022113	
AL41533BEN4500B	L7552240245B + K022113		AL41533LGN5300A	L7552640253B (X) + K022113	
AL41533BEN4900B	L7552240249B + K022113		AL41533LKN5300A	L7552440253B (X) + K022113	
AL41533BEN4901B	L7552240249B + K022113 + K342006		AL41533LKN5300B	L7552440253B (X) + K022113	
AL41533BEN5300A	L7552240253B + K022113		AL43A23BEH4500A	L7952221145	
AL41533BEN536CB	L7552240253B + K022113 + L85406200B		AL43A23BEH5700A	Refer to Service Kits	
AL41533BEN5700A	Refer to Service Kits		AL43A23BJH5300A	L7952821153	
AL41533BEN5700B	Refer to Service Kits		AL43A23BKH4900A	L7952421149	
AL41533BEW5900A	Refer to Service Kits		AL43A23BKH5300A	L7952421153	
AL41533BGN1900A	L7552640219B + K022113		AL43A23BKR5300A	L7952421153	3
AL41533BGN1900B	L7552640219B + K022113		AL43A23LBH4500A	L7952221145 (X)	2
AL41533BGN4900A	L7552640249B + K022113		AL43A23LBH4900A	L7952621149 (X)	1
AL41533BGN4900B	L7552640249B + K022113		AL43A23LDH1900A	L7952821119 (X)	1
AL41533BGN496LB	L7552640249B + K022113 + L85407206B		AL43A23LDH4900A	L7952821149 (X)	1
AL41533BGN5300A	L7552640253B + K022113		AL43A23LJH5300A	L7952821153 (X)	
AL41533BGN5300B	L7552640253B + K022113		AL43A23LKH5300A	L7952421153 (X)	
AL41533BGN5301B	L7552640253B + K022113 + K342006		AL43VXXBA05300B	L7652241153B	2
AL41533BGN535CA	L7552640253B + K022113 + L85405200B		AL43VXXBB04900B	L7652641149B	1
AL41533BGN536CA	L7552640253B + K022113 + L85406200B		AL43VXXBB07900B	L7652641179B	1
AL41533BGN7900A	L7552640279B + K022113		AL43VXXBE05100A	Refer to Service Kits	
AL41533BGN7900B	L7552640279B + K022113		AL43VXXBG0B900B	L7652641119B	
AL41533BGN7966B	L7552640279B + K022113 + L85406206B		Notes		
AL41533BGW5300A	L7552640253B + K022113	8	1. Available with locking override & light only		
AL41533BGW7900A	L7552640279B + K022113	8	2. Available with locking override only		
AL41533BGW7901A	L7552640279B + K0220113+ K342006	8	3. Available with 19 inch leads only		
AL41533BG37900B	L7552640279B + K022113	8	4. Available with NPT ports only		
AL41533BJN4900A	L7552840249B + K022113		5. Regulator only available with 2 to 60 PSI w/ gauge		
AL41533BJN4900B	L7552840249B + K022113		6. Regulator only available with 5 to 125 PSI w/ gauge		
AL41533BJN5300A	L7552840253B + K022113		7. Regulator option no longer available		
			8. Available with 6 inch leads in base only		
			(X) Valve must be converted to external pilot		

<u>AL Series Number</u>	<u>Sprint Series Number</u>	<u>Notes</u>	<u>AL Series Number</u>	<u>Sprint Series Number</u>	<u>Notes</u>
AL43VXXBG04900A	L7652641149B		AL43323BGN4900B	L7652641149B + K142175	
AL43VXXBG04900B	L7652641149B		AL43323BGN496CB	L7652641149B + K142175 + L85406200B	
AL43VXXBG05300A	L7652641153B		AL43323BGN4966A	L7652641149B + K142175 + L85406206B	
AL43VXXBG05300B	L7652641153B		AL43323BGN53L6B	L7652641153B + K142175 + L85406207B	
AL43VXXBG07900A	L7652641179B		AL43323BGN5300A	L7652641153B + K142175	
AL43VXXBG07900B	L7652641179B		AL43323BGN5300B	L7652641153B + K142175	
AL43VXXBJ04900A	L7652841149B		AL43323BGN5301A	L7652641153B + K142175 + K342006	
AL43VXXBJ04900B	L7652841149B		AL43323BGN5301B	L7652641153B + K142175 + K342006	
AL43VXXBJ05300A	L7652841153B		AL43323BGN535CB	L7652641153B + K142175 + L85405200B	
AL43VXXBJ05300B	L7652841153B		AL43323BGN536CA	L7652641153B + K142175 + L85406200B	
AL43VXXBK05300A	L7652421153		AL43323BGN536CB	L7652641153B + K142175 + L85406200B	
AL43VXXBK01900B	L7652441119B		AL43323BGN7900A	L7652641179B + K142175	
AL43VXXBK04900A	L7652441149B		AL43323BGN7900B	L7652641179B + K142175	
AL43VXXBK04900B	L7652441149B		AL43323BGN799CA	L7652641179B + K142175 + L85406200B	6
AL43VXXBK05300A	L7652441153B		AL43323BGN7999A	L7652641179B + K142175 + L85406206B	6
AL43VXXBK05300B	L7652441153B		AL43323BGW4900A	L7652641149B + K142171	
AL43VXXB205300B	L7652B41153B		AL43323BGW4900B	L7652641149B + K142171	
AL43VXXLG07900A	L7652641179B (X)		AL43323BGW5300A	L7652641153B + K142171	
AL43VXXLG07900B	L7652641179B (X)		AL43323BGW5300B	L7652641153B + K142171	
AL43VXXLKH5300A	L7652421153 (X)		AL43323BGW5366A	L7652641153B + K142171 + L85406206B	
AL43VXXLK04900B	L7652441149B (X)		AL43323BGW7900B	L7652641179B + K142171	
AL43VXXLK05300B	L7652441153B (X)		AL43323BGW792CB	L7652641179B + K142171 + L85405200B	5
AL43321BGN4900A	L7652641149B + K142175	4	AL43323BG37900B	L7652641179B + K142175	8
AL43321BKH536CB	L7652421153 + K142175 + L85406200B	4	AL43323BJN4900A	L7652841149B + K142175	
AL43321BKN5300A	L7652441153B + K142175	4	AL43323BJN4901B	L7652841149B + K142175 + K342006	
AL43321BKN536CB	L7652441153B + K142175 + L85406200B	4	AL43323BJN496CB	L7652841149B + K142175 + L85406200B	
AL43323BAN5300A	L7652241153B + K142175	2	AL43323BJN5300A	L7652841153B + K142175	
AL43323BBN1900B	L7652641119B + K142175	1	AL43323BJN5300B	L7652841153B + K142175	
AL43323BBN4900A	L7652641149B + K142175	1	AL43323BJN7966B	L7652841179B + K142175 + L85406206B	
AL43323BBN4900B	L7652641149B + K142175	1	AL43323BJW5300A	L7652841153B + K142171	
AL43323BBN4965B	L7652641149B + K142175 + L85406206B	1, 6	AL43323BJW5300B	L7652841153B + K142171	
AL43323BBN4966B	L7652641149B + K142175 + L85406206B	1	AL43323BJW5355A	L7652841153B + K142171 + L85405205B	
AL43323BBN5300A	L7652641153B + K142175	1	AL43323BJW536CB	L7652841153B + K142171 + L85406200B	
AL43323BBN5300B	L7652641153B + K142175	1	AL43323BJ37900B	L7652841179B + K142175 + L85406206B	8
AL43323BBN5301B	L7652641153B + K142175 + K352006	1	AL43323BKH4901B	L7652421149 + K142174 + K342004	
AL43323BBN5365B	L7652641153B + K142175 + L85406206B	1, 6	AL43323BKN4900A	L7652441149B + K142175	
AL43323BBN5900A	Refer to Service Kits		AL43323BKN4900B	L7652441149B + K142175	
AL43323BEN4200B	Refer to Service Kits		AL43323BKN4901B	L7652441149B + K142175 + K342006	
AL43323BEN4566B	L7652241145B + K142175 + L85406206B		AL43323BKN495CA	L7652441149B + K142175 + L85405200B	
AL43323BEN4900B	L7652241149B + K142175		AL43323BKN496CA	L7652441149B + K142175 + L85406200B	
AL43323BEN496CB	L7652241149B + K142175 + L85406200B		AL43323BKN496CB	L7652441149B + K142175 + L85406200B	
AL43323BEN4966B	L7652241149B + K142175 + L85406206B		AL43323BKN5300A	L7652441153B + K142175	
AL43323BEN5100A	Refer to Service Kits		AL43323BKN5300B	L7652441153B + K142175	
AL43323BEN5100B	Refer to Service Kits		AL43323BKN5301A	L7652441153B + K142175 + K342006	
AL43323BEN5301B	L7652241153B + K142175 + K342006		AL43323BKN5301B	L7652441153B + K142175 + K342006	
AL43323BEN5701A	Refer to Service Kits		AL43323BKN5323A	L7652441153B + K142175 + L85403202B	
AL43323BEN5701B	Refer to Service Kits		AL43323BKN534CA	L7652441153B + K142175 + L85405200B	5
AL43323BEN5901A	Refer to Service Kits		AL43323BKN535CA	L7652441153B + K142175 + L85405200B	
AL43323BEN5901B	Refer to Service Kits		Notes		
AL43323BEW5300A	L7652241153B + K142171		1. Available with locking override & light only		
AL43323BEW5301A	L7652241153B + K142171 + K342006		2. Available with locking override only		
AL43323BEW536CA	L7652241153B + K142171 + L85406200B		3. Available with 19 inch leads only		
			4. Available with NPT ports only		
			5. Regulator only available with 2 to 60 PSI w/ gauge		
			6. Regulator only available with 5 to 125 PSI w/ gauge		
			7. Regulator option no longer available		
			8. Available with 6 inch leads in base only		
			(X) Valve must be converted to external pilot		

<u>AL Series Number</u>	<u>Sprint Series Number</u>	<u>Notes</u>	<u>AL Series Number</u>	<u>Sprint Series Number</u>	<u>Notes</u>
AL43323BKN535CB	L7652441153B + K142175 + L85405200B		AL43523BKN536CB	L7652441153B + K022112 + L85406200B	
AL43323BKN5355B	L7652441153B + K142175 + L85405205B		AL43523BKW4900A	L7652441149B + K022112	8
AL43323BKN536CB	L7652441153B + K142175 + L85406200B		AL43523LBN5300B	L7652641153B (X) + K022112	1
AL43323BKN5366A	L7652441153B + K142175 + L85406206B		AL43523LDN5300B	L7652841153B (X) + K022112	1
AL43323BKN5366B	L7652441153B + K142175 + L85406206B		AL43523LKN4900A	L7652441149B (X) + K022112	
AL43323BKW1900B	L7652441119B + K142079		AL43533BBN5300A	L7652641153B + K022113	1
AL43323BKW4900A	L7652441149B + K142079		AL43533BBW5300A	L7652641153B + K022113	8
AL43323BKW4900B	L7652441149B + K142079		AL43533BEN4500A	L7652241145B + K022113	
AL43323BKW5300A	L7652441153B + K142079		AL43533BEN4500B	L7652241145B + K022113	
AL43323BKW5300B	L7652441153B + K142079		AL43533BEN4900A	L7652241149B + K022113	
AL43323BKW5301A	L7652441153B + K142079 + K342006		AL43533BEN5300B	L7652241153B + K022113	
AL43323BKW5301B	L7652441153B + K142079 + K342006		AL43533BEN5301A	L7652241153B + K022113 + K342006	
AL43323BKW533CB	L7652441153B + K142079 + L85403200B		AL43533BEN5700A	Refer to Service Kits	
AL43323BKW534CA	L7652441153B + K142079 + L85405200B	5	AL43533BEN5700B	Refer to Service Kits	
AL43323BKW535CB	L7652441153B + K142079 + L85405200B		AL43533BEN5900A	Refer to Service Kits	
AL43323BKW536CA	L7652441153B + K142079 + L85406200B		AL43533BEN5900B	Refer to Service Kits	
AL43323BKW536CB	L7652441153B + K142079 + L85406200B		AL43533BGN4900B	L7652641149B + K022113	
AL43323BKW5366A	L7652441153B + K142079 + L85406206B		AL43533BGN496LB	L7652641149B + K022113 + L85407206B	
AL43323BKW5366B	L7652441153B + K142079 + L85406206B		AL43533BGN5300A	L7652641153B + K022113	
AL43323BKW7900A	L7652441179B + K142079		AL43533BGN5300B	L7652641153B + K022113	
AL43323LBN7900B	L7652641179B (X) + K142175	1	AL43533BGN7900A	L7652641179B + K022113	
AL43323LBN796CB	L7652641179B (X) + K142175	1, 7	AL43533BGN7900B	L7652641179B + K022113	
AL43323LGN5300A	L7652641153B (X) + K142175		AL43533BGN7999A	L7652641179B + K022113 + L85406206B	6
AL43323LGN5300B	L7652641153B (X) + K142175		AL43533BJN5300A	L7652841153B + K022113	
AL43323LGN5301A	L7652641153B (X) + K142175 + K342006		AL43533BJN5300B	L7652841153B + K022113	
AL43323LGN5301B	L7652641153B (X) + K142175 + K342006		AL43533BKN1900B	L7652441119B + K022113	
AL43323LGN7900A	L7652641179B (X) + K142175		AL43533BKN1901B	L7652441119B + K022113 + K342006	
AL43323LGN7900B	L7652641179B (X) + K142175		AL43533BKN4900A	L7652441149B + K022113	
AL43323LJN5300B	L7652841153B (X) + K142175		AL43533BKN4900B	L7652441149B + K022113	
AL43323LKN5300A	L7652441153B (X) + K142175		AL43533BKN4901A	L7652441149B + K022113 + K342006	
AL43323LKN5300B	L7652441153B (X) + K142175		AL43533BKN4901B	L7652441149B + K022113 + K342006	
AL43323LKN536CA	L7652441153B (X) + K142175	7	AL43533BKN496CA	L7652441149B + K022113 + L85406200B	
AL43323LKW4900A	L7652441149B (X) + K142175		AL43533BKN5300A	L7652441153B + K022113	
AL43523BBN5300B	L7652641153B + K022112	1	AL43533BKN5300B	L7652441153B + K022113	
AL43523BEH5300A	L7652221153 + K022112		AL43533BKN5301A	L7652441153B + K022113 + K342006	
AL43523BEN4200A	Refer to Service Kits		AL43533BKN5301B	L7652441153B + K022113 + K342006	
AL43523BEN4500B	L7652241145B + K022112		AL43533BKN536CB	L7652441153B + K022113 + L85406200B	
AL43523BEN5300A	L7652241153B + K022112		AL43533BKN5366A	L7652441153B + K022113 + L85406206B	
AL43523BEN5300B	L7652241153B + K022112		AL43533BKW4900B	L7652441149B + K022113	8
AL43523BEN5700A	Refer to Service Kits		AL43533BKW4966B	L7652441149B + K022113 + L85406206B	8
AL43523BGN4900A	L7652641149B + K022112		AL43533BKW5300A	L7652441153B + K022113	8
AL43523BGN4900B	L7652641149B + K022112		AL43533BKW5300B	L7652441153B + K022113	8
AL43523BGN5300A	L7652641153B + K022112		AL43533BKW5301A	L7652441153B + K022113 + K342006	8
AL43523BGN5300B	L7652641153B + K022112		AL43533LEN4900B	L7652241149B (X) + K022113	
AL43523BGW4900A	L7652641149B + K022112	8	AL43533LGN5300A	L7652641153B (X) + K022113	
AL43523BJN4900B	L7652841149B + K022112		AL43533LKN5300A	L7652441153B (X) + K022113	
AL43523BJN5300A	L7652841153B + K022112		AL43533LKN5300B	L7652441153B (X) + K022113	
AL43523BJN5300B	L7652841153B + K022112		AL43533LKW5300B	L7652441153B (X) + K022113	8
AL43523BKN4900A	L7652441149B + K022112		Notes		
AL43523BKN4900B	L7652441149B + K022112		1. Available with locking override & light only		
AL43523BKN4901B	L7652441149B + K022112 + K342006		2. Available with locking override only		
AL43523BKN4945B	L7652441149B + K022112 + L85405205B	5	3. Available with 19 inch leads only		
AL43523BKN5300A	L7652441153B + K022112		4. Available with NPT ports only		
AL43523BKN5300B	L7652441153B + K022112		5. Regulator only available with 2 to 60 PSI w/ gauge		
AL43523BKN5301B	L7652441153B + K022112 + K342006		6. Regulator only available with 5 to 125 PSI w/ gauge		
AL43523BKN536CA	L7652441153B + K022112 + L85406200B		7. Regulator option no longer available		
			8. Available with 6 inch leads in base only		
			(X) Valve must be converted to external pilot		

<u>AL Series Number</u>	<u>Sprint Series Number</u>	<u>Notes</u>	<u>AL Series Number</u>	<u>Sprint Series Number</u>	<u>Notes</u>
AL44A23BEH4200A	L7952222142	2	AL44323BGN496CB	L7652642149B + K142175 + L85406200B	
AL44A23BGH4900A	L7952622149		AL44323BGN5300A	L7652642153B + K142175	
AL44A23BKH4900A	L7952422149		AL44323BGN5300B	L7652642153B + K142175	
AL44A23BKH5300A	L7952422153		AL44323BGN5301B	L7652642153B + K142175 + K342006	
AL44A23BKR5300A	L7952422153	3	AL44323BGN535CB	L7652642153B + K142175 + L85405200B	
AL44A23LDH5300A	L7952822153 (X)	1	AL44323BGN536CA	L7652642153B + K142175 + L85406200B	
AL44A23LEH4500A	L7952222145 (X)		AL44323BGN536CB	L7652642153B + K142175 + L85406200B	
AL44A23LKH5300A	L7952422153 (X)		AL44323BGN5366B	L7652642153B + K142175 + L85406206B	
AL44VXXBB04900B	L7652642149B	1	AL44323BGN7900A	L7652642179B + K142175	
AL44VXXBB07900B	L7652642179B	1	AL44323BGN7900B	L7652642179B + K142175	
AL44VXXBD04500A	L7652242145B	2	AL44323BGN7966B	L7652642179B + K142175 + L85406206B	
AL44VXXBD05300A	L7652842153B	1	AL44323BGN799CB	L7652642179B + K142175 + L85410200B	
AL44VXXBE05300B	L7652242153B		AL44323BGW4900A	L7652642149B + K142171	
AL44VXXBE05700A	Refer to Service Kits		AL44323BGW4900B	L7652642149B + K142171	
AL44VXXBE05700B	Refer to Service Kits		AL44323BGW5301B	L7652642153B + K142171 + K342006	
AL44VXXBG0B900B	L7652642119B		AL44323BGW5313B	L7652642153B + K142171 + L85405205B	5
AL44VXXBG01900B	L7652642119B		AL44323BGW5333A	L7652642153B + K142171 + L85403203B	
AL44VXXBG04900A	L7652642149B		AL44323BGW7900A	L7652642179B + K142171	
AL44VXXBG04900B	L7652642149B		AL44323BGW7900B	L7652642179B + K142171	
AL44VXXBG05300A	L7652642153B		AL44323BGW792CB	L7652642179B + K142171 + L85405200B	5
AL44VXXBG05300B	L7652642153B		AL44323BG27900B	L7652642149B + K142175	8
AL44VXXBG07900A	L7652642179B		AL44323BG27999B	L7652642149B + K142175 + L85406206B	6,8
AL44VXXBG07900B	L7652642179B		AL44323BG37900B	L7652642149B + K142175	8
AL44VXXBJ05300A	L7652842153B		AL44323BG37955B	L7652642149B + K142175 + L85405205B	8
AL44VXXBJ05300B	L7652842153B		AL44323BJN4900A	L7652842149B + K142175	
AL44VXXBK0B900B	L7652442119B		AL44323BJN5300A	L7652842153B + K142175	
AL44VXXBK04900A	L7652442149B		AL44323BJN5300B	L7652842153B + K142175	
AL44VXXBK04900B	L7652442149B		AL44323BJN5301A	L7652842153B + K142175 + K342006	
AL44VXXBK05300A	L7652442153B		AL44323BJW4900A	L7652842149B + K142171	
AL44VXXBK05300B	L7652442153B		AL44323BJW53L6A	L7652842153B + K142175 + L85406207B	
AL44VXXLG05300B	L7652642153B (X)		AL44323BJW53L6B	L7652842153B + K142175 + L85406207B	
AL44VXXLG07900A	L7652642179B (X)		AL44323BJW5300A	L7652842153B + K142175	
AL44VXXLG07900B	L7652642179B (X)		AL44323BJW5300B	L7652842153B + K142175	
AL44323BBN1900B	L7652642119B + K142175	1	AL44323BKNB901B	L7652442119B + K142175 + K342006	
AL44323BBN4900B	L7652642149B + K142175	1	AL44323BKNA1900B	L7652442119B + K142175	
AL44323BBN4965A	L7652642149B + K142175 + L85406206B	1,6	AL44323BKNA4900A	L7652442149B + K142175	
AL44323BBN4965B	L7652642149B + K142175 + L85406206B	1,6	AL44323BKNA4900B	L7652442149B + K142175	
AL44323BBN4966B	L7652642149B + K142175 + L85406206B	1	AL44323BKNA4901A	L7652442149B + K142175 + K342006	
AL44323BBN5300A	L7652642153B + K142175	1	AL44323BKNA4901B	L7652442149B + K142175 + K342006	
AL44323BBN536CB	L7652642153B + K142175 + L85406200B	1	AL44323BKNA495CA	L7652442149B + K142175 + L85405200B	
AL44323BBN7900B	L7652642179B + K142175	1	AL44323BKNA496CA	L7652442149B + K142175 + L85406200B	
AL44323BDN4500A	L7652242145B + K142175	2	AL44323BKNA496CB	L7652442149B + K142175 + L85406200B	
AL44323BEN4500A	L7652242145B + K142175		AL44323BKNA496LA	L7652442149B + K142175 + L85407206B	
AL44323BEN4901A	L7652242149B + K142175 + K342006		AL44323BKNA4966A	L7652442149B + K142175 + L85406206B	
AL44323BEN5300A	L7652242153B + K142175		AL44323BKNA53L6A	L7652442153B + K142175 + L85406207B	
AL44323BEN57L4A	Refer to Service Kits		AL44323BKNA53L6B	L7652442153B + K142175 + L85406207B	
AL44323BEN57L6A	Refer to Service Kits		AL44323BKNA5300A	L7652442153B + K142175	
AL44323BEN576LB	Refer to Service Kits		AL44323BKNA5300B	L7652442153B + K142175	
AL44323BEN59L6A	Refer to Service Kits		Notes		
AL44323BGH5300A	L7652622153 + K142174		1. Available with locking override & light only		
AL44323BGNB900B	L7652642119B + K142175		2. Available with locking override only		
AL44323BGNB96LB	L7652642119B + K142175 + L85407206B		3. Available with 19 inch leads only		
AL44323BGN1900B	L7652642119B + K142175		4. Available with NPT ports only		
AL44323BGN1901B	L7652642119B + K142175 + K342006		5. Regulator only available with 2 to 60 PSI w/ gauge		
AL44323BGN4900A	L7652642149B + K142175		6. Regulator only available with 5 to 125 PSI w/ gauge		
AL44323BGN4900B	L7652642149B + K142175		7. Regulator option no longer available		
			8. Available with 6 inch leads in base only		
			(X) Valve must be converted to external pilot		

<u>AL Series Number</u>	<u>Sprint Series Number</u>	<u>Notes</u>	<u>AL Series Number</u>	<u>Sprint Series Number</u>	<u>Notes</u>
AL44323BKN5301A	L7652442153B + K142175 + K342006		AL44533BGN4900B	L7652642149B + K022113	
AL44323BKN5301B	L7652442153B + K142175 + K342006		AL44533BGN496LB	L7652642149B + K022113 + L85407206B	
AL44323BKN5333A	L7652442153B + K142175 + L85403203B		AL44533BGN4966B	L7652642149B + K022113 + L85406206B	
AL44323BKN535CA	L7652442153B + K142175 + L85405200B		AL44533BGN5300A	L7652642153B + K022113	
AL44323BKN536CA	L7652442153B + K142175 + L85406200B		AL44533BGN5300B	L7652642153B + K022113	
AL44323BKN536CB	L7652442153B + K142175 + L85406200B		AL44533BGN7900A	L7652642179B + K022113	
AL44323BKN536LA	L7652442153B + K142175 + L85407206B		AL44533BGN7900B	L7652642179B + K022113	
AL44323BKN5366A	L7652442153B + K142175 + L85406206B		AL44533BGN7966B	L7652642179B + K022113 + L85406206B	
AL44323BKN5366B	L7652442153B + K142175 + L85406206B		AL44533BGN799CA	L7652642179B + K022113 + L85406200B	6
AL44323BKW4900A	L7652442149B + K142171		AL44533BGN7999A	L7652642179B + K022113 + L85406206B	6
AL44323BKW4900B	L7652442149B + K142171		AL44533BGN7999B	L7652642179B + K022113 + L85406206B	6
AL44323BKW4966B	L7652442149B + K142171 + L85406206B		AL44533BGW5300A	L7652642153B + K022113	8
AL44323BKW5300A	L76524421453B + K142171		AL44533BJN4900B	L7652842149B + K022113	
AL44323BKW5300B	L7652442153B + K142171		AL44533BJN5300A	L7652842153B + K022113	
AL44323BKW5301A	L7652442153B + K142171 + K342006		AL44533BJN5300B	L7652842153B + K022113	
AL44323BKW5301B	L7652442153B + K142171 + K342006		AL44533BKN4900A	L7652442149B + K022113	
AL44323BKW536CA	L7652442153B + K142171 + L85406200B		AL44533BKN4900B	L7652442149B + K022113	
AL44323BKW5366B	L7652442153B + K142171 + L85406206B		AL44533BKN5300A	L7652442153B + K022113	
AL44323BK55300B	L7652442153B + K142175	8	AL44533BKN5300B	L7652442153B + K022113	
AL44323LGN4900B	L7652642149B (X) + K142175		AL44533BKN5301A	L7652442153B + K022113 + K342006	
AL44323LGN5300A	L7652642153B (X) + K142175		AL44533BKN5301B	L7652442153B + K022113 + K342006	
AL44323LGN5300B	L7652642153B (X) + K142175		AL44533BKN5355B	L7652442153B + K022113 + L85405205B	
AL44323LGN5301A	L7652642153B (X) + K142175 + K342006		AL44533LBN5300B	L7652642153B (X) + K022113	1
AL44323LGN5301B	L7652642153B (X) + K142175 + K342006		AL44533LBN5900B	Refer to Service Kits	
AL44323LJN5301B	L7652842153B (X) + K142175 + K342006		AL44533LGN4900B	L7652642149B (X) + K022113	
AL44323LKN496CA	L7652442149B (X) + K142175	7	AL44533LGN5300A	L7652642153B (X) + K022113	
AL44323LKN5300A	L7652442153B (X) + K142175		AL44533LGN5300B	L7652642153B (X) + K022113	
AL44323LKN536CB	L7652442153B (X) + K142175	7	AL44533LJN5300A	L7652842153B (X) + K022113	
AL44323LKW4900A	L7652442149B (X) + K142171		AL44533LJN5300B	L7652842153B (X) + K022113	
AL44523BAN5300B	L7652242153B + K022112	2	AL44533LKN492LB	L7652442149B (X) + K022113	7
AL44523BBN5300B	L7652642153B + K022112	1	AL44533LKN496LA	L7652442149B (X) + K022113	7
AL44523BBN5700B	Refer to Service Kits		AL44533LKN496LB	L7652442149B (X) + K022113	7
AL44523BBW5300A	L7652642153B + K022112	1, 8	AL44533LKN5300A	L7652442153B (X) + K022113	
AL44523BEN4200A	Refer to Service Kits		AL44533LKN5300B	L7652442153B (X) + K022113	
AL44523BGN4900A	L7652642149B + K022112		AL45A23BEH4900A	L7952223149	
AL44523BGN5300A	L7652642153B + K022112		AL45A23BKH4900A	L7952423149	
AL44523BGN5300B	L7652642153B + K022112		AL45A23BKH5300A	L7952423153	
AL44523BGN7900A	L7652642179B + K022112		AL45A23LDH5300A	L7952823153 (X)	1
AL44523BJN5300A	L7652842153B + K022112		AL45A23LGH4900A	L7952623149 (X)	
AL44523BJN5300B	L7652842153B + K022112		AL45A23LGH5300A	L7952623153 (X)	
AL44523BKN1900B	L7652442119B + K022112		AL45A23LKH4900A	L7952423149 (X)	
AL44523BKN4900A	L7652442149B + K022112		AL45A23LKH5300A	L7952423153 (X)	
AL44523BKN4900B	L7652442149B + K022112		AL45VXXBAH4900A	L7652223149	2
AL44523BKN496CA	L7652442149B + K022112 + L85406200B		AL45VXXBBH4900A	L7652623149	1
AL44523BKN496CB	L7652442149B + K022112 + L85406200B		AL45VXXBB04900B	L7652643149B	1
AL44523BKN5300A	L7652442153B + K022112		AL45VXXBG04900B	L7652643149B	
AL44523BKN5300B	L7652442153B + K022112		AL45VXXBG05300A	L7652643153B	
AL44523BKN5301A	L7652442153B + K022112 + K342006		AL45VXXBG05300B	L7652643153B	
AL44523BKN5355B	L7652442153B + K022112 + L85405205B		Notes		
AL44523BKN536CB	L7652442153B + K022112 + L85406200B		1. Available with locking override & light only		
AL44523BKW5300B	L7652442153B + K022112	8	2. Available with locking override only		
AL44523BK24900B	L7652442149B + K022112	8	3. Available with 19 inch leads only		
			4. Available with NPT ports only		
			5. Regulator only available with 2 to 60 PSI w/ gauge		
			6. Regulator only available with 5 to 125 PSI w/ gauge		
			7. Regulator option no longer available		
			8. Available with 6 inch leads in base only		
			(X) Valve must be converted to external pilot		

<u>AL Series Number</u>	<u>Sprint Series Number</u>	<u>Notes</u>	<u>AL Series Number</u>	<u>Sprint Series Number</u>	<u>Notes</u>
AL45VXXBG07900A	L7652643179B		AL45533BKN536CB	L7652443153B + K022113 + L85406200B	
AL45VXXBG07900B	L7652643179B		AL45533BKW5300A	L7652443153B + K022113	8
AL45VXXBJ05300B	L7652843153B		AL45533BKW5300B	L7652443153B + K022113	8
AL45VXXBK04900B	L7652443149B		AL45533BKW536CB	L7652443153B + K022113 + L85406200B	8
AL45VXXBK05300A	L7652443153B		AL45533LGN5300A	L7652643153B (X) + K022113	
AL45VXXBK05300B	L7652443153B		AL45533LGN5300B	L7652643153B (X) + K022113	
AL45VXXLG07900A	L7652643179B (X)		AL45533LKN5300A	L7652443153B (X) + K022113	
AL45VXXLG07900B	L7652643179B (X)		AL45533LKN5300B	L7652443153B (X) + K022113	
AL45VXXLK05300A	L7652443153B (X)		AL51A23000XX00A	L77421101	
AL45323BBN4900A	L7652643149B + K142175	1	AL51VXX000XX00A	L74421101	
AL45323BBN4900B	L7652643149B + K142175	1	AL51323L00XX4LA	L74421101 + K142174	7
AL45323BEN456LA	L7652243145B + K142175 + L85407206B		AL51323L00XX6LA	L74421101 + K142174	7
AL45323BEN57L6A	Refer to Service Kits		AL51323000XXL6A	L74421101 + K142174	7
AL45323BEN57L6B	Refer to Service Kits		AL51323000XX00A	L74421101 + K142174	
AL45323BEN59L6B	Refer to Service Kits		AL51323000XX01A	L74421101 + K142174 + K342004	
AL45323BGN4900A	L7652643149B + K142175		AL51323000XX4LA	L74421101 + K142174	7
AL45323BGN5300A	L7652643153B + K142175		AL51323000XX6LA	L74421101 + K142174	
AL45323BGN5300B	L7652643153B + K142175		AL51523000XX00A	L74421101 + K022077	
AL45323BGN536CB	L7652643153B + K142175 + L85406200B		AL51523000XX01A	L74421101 + K022077 + K342004	
AL45323BGN5366B	L7652643153B + K142175 + L85406206B		AL51533000XX00A	L74421101 + K022078	
AL45323BGW4900B	L7652643149B + K142171		AL51533000XX6CA	L74421101 + K022078 + L85406200R	
AL45323BGW5301B	L7652643153B + K142171 + K342006		AL61A23000XX00A	L78421102	
AL45323BJN5300B	L7652843153B + K142175		AL61VXX000XX00A	L75421102	
AL45323BJN536CA	L7652843153B + K142175 + L85406200B		AL61323000XX00A	L75421102 + K142174	
AL45323BKN4900B	L7652443149B + K142175		AL61323000XX01A	L75421102 + K142174 + K342004	
AL45323BKN495CB	L7652443149B + K142175 + L85405200B		AL61523000XX00A	L75421102 + K022077	
AL45323BKN496CB	L7652443149B + K142175 + L85406200B		AL61523000XX01A	L75421102 + K022077 + K342004	
AL45323BKN53L6A	L7652443153B + K142175 + L85406207B		AL61523000XX66A	L75421102 + K022077 + L85406206R	
AL45323BKN53L6B	L7652443153B + K142175 + L85406207B		AL61533000XX00A	L75421102 + K022078	
AL45323BKN5300A	L7652443153B + K142175		AL61533000XX01A	L75421102 + K022078 + K342004	
AL45323BKN5300B	L7652443153B + K142175		AL63A23000XX00A	L79421211	
AL45323BKN5301A	L7652443153B + K142175 + K342006		AL63VXX000XX00A	L76421211	
AL45323BKN5301B	L7652443153B + K142175 + K342006		AL63323000XX00A	L76421211 + K142174	
AL45323BKN535CA	L7652443153B + K142175 + L85405200B		AL63523000XX00A	L76421211 + K022077	
AL45323BKN536CB	L7652443153B + K142175 + L85406200B		AL63533000XX00A	L76421211 + K022078	
AL45323BKW4900B	L7652443149B + K142171		AL64A23000XX00A	L79421221	
AL45323BKW5300A	L7652443153B + K142171		AL64VXX000XX00A	L76421221	
AL45323BKW5300B	L7652443153B + K142171		AL64523000XX00A	L76421221 + K022077	
AL45323BKW536CB	L7652443153B + K142171 + L85406200B		AL65A23000XXA	L79421231	
AL45323LKN5300A	L7652443153B (X) + K142175		AL65VXX000XX00A	L76421231	
AL45523BGN4900B	L7652643149B + K022112		AL65323000XX00A	L76421231 + K022077	
AL45523BGW5301A	L7652643153B + K022112 + K342006	8	AL65523000XX64A	L76421231 + K022077 + L85404206R	
AL45523BGW5301B	L7652643153B + K022112 + K342006	8	AL65533000XX00A	L76421231 + K022078	
AL45523BKN5300A	L7652443153B + K022112				
AL45523BKN5300B	L7652443153B + K022112				
AL45523BKN5366B	L7652443153B + K022112 + L85406206B				
AL45523LKN4933B	L7652443149B (X) + K022112	7			
AL45523LKN5300A	L7652443153B (X) + K022112				
AL45533BJN5300A	L7652843153B + K022113				
AL45533BJN5300B	L7652843153B + K022113				
AL45533BKN4900A	L7652443149B + K022113				
AL45533BKN4900B	L7652443149B + K022113				
AL45533BKN496CA	L7652443149B + K022113 + L85406200B				
AL45533BKN496CB	L7652443149B + K022113 + L85406200B				
AL45533BKN5300A	L7652443153B + K022113				
AL45533BKN5300B	L7652443153B + K022113				

Notes

1. Available with locking override & light only
 2. Available with locking override only
 3. Available with 19 inch leads only
 4. Available with NPT ports only
 5. Regulator only available with 2 to 60 PSI w/ gauge
 6. Regulator only available with 5 to 125 PSI w/ gauge
 7. Regulator option no longer available
 8. Available with 6 inch leads in base only
- (X) Valve must be converted to external pilot

<u>Sprint Valve</u>	<u>Suggested Replacement</u> (The new valve will come with a locking manual override)	<u>Coil / Subassembly without Light</u>	<u>Coil / Subassembly with Light</u>
L7452140145B	L7452240145B	K17200153	K17200453
L7452140153B	L7452240153B	K17200242	No Longer Available
L7452340153B	L7452440153B	K17200249	K17200449
L7452540149B	L7452640149B	K17200251	No Longer Available
L7452540153B	L7452640153B	K17200253	K17200453
L7452710153	L7452810153	K17200259	No Longer Available
L7452740149	L7452840149B	K17200349	K17200449
L7552140253B	L7552240253B	K17200353	K17200453
L7552140245	L7552240245B	K17200453L	K17200453
L7552340253B	L7552440253B	K17200549	K17200849
L7552540249B	L7552640249B	K17200553	K17200853
L7552540253B	L7552640253B	K17200642	No Longer Available
L7552710253	L7552810253	K17200649	K17200849
L7652121153	L7652221153	K17200653	K17200853
L7652141153B	L7652241153B	K17200657	No Longer Available
L7652521149	L7652621149	K17200659	No Longer Available
L7652541145B	L7652241145B	K17200749	K17200849
L7652541149B	L7652641149B	K17200753	K17200853
L7652541153B	L7652641153B	K17200949	K17201049
L7652742149B	L7652842149B	K17200953	K17201053
L7652742153B	L7652842153B	K17201149	K17201249
L7752110145	L7752210145	K17201153	K17201253
L7752110153	L7752210153	K17201345	K17200645
L7752510145	L7752210145	K17201349	K17201449
L7752510149	L7752610149	K17201353	K17201453
L7752710145	L7752210145	K17201549	K17201649
L7852110253	L7852210253	K17201553	K17201653
L7852510245	L7852210245	K593007	K593014
L7852710245	L7852210245	K593192	K593166
L7952121153	L7952221153	K593197	K593171
L7952122145	L7952222145	K593258	K593169
L7952522153	L7952622153	K593260	K593170
		K593285	K593302
		K593290	K593303
		K593298	K593307
		K593304	K593333
		K593205	Refer to Solenoid Subassembly
		K593209	Refer to Solenoid Subassembly
		K593212	Refer to Solenoid Subassembly
		K593213	Refer to Solenoid Subassembly
		K593215	Refer to Solenoid Subassembly
		K593248	Refer to Solenoid Subassembly
		K593250	Refer to Solenoid Subassembly
		K593283	Refer to Solenoid Subassembly

Note

These are the suggested functional replacements.

Special History
Suggested Replacement Only, Verify with User Before Interchanging

AL Special	Special Description	Repair Kit	Closest Replacement
AL11A23Y003	Single Solenoid, Inline body with operator located on 14 end for reverse flow path function	K352386	L7752210119
AL11VXXY001	Single Solenoid, Valve only, with operator located on 14 end for reverse flow path function	K352386	L7452240119B
AL11VXXY002	Single Solenoid, Valve only, with pilot exhaust on operator	K352386	L7542440153B
AL11VXXY003	Single Solenoid, Valve only, with non standard wiring	K352386	L7452640179B
AL11323Y001	Single Solenoid, Valve with base, with 10 foot leads	K352386	L7452440153B + K142175
AL11323Y002	Single Solenoid, Valve with base, 1/4 port plugs installed	K352386	L7452840153B + K142175
AL11323Y003	Single Solenoid, Valve with base, with ISO connector	K352386	L7452610249 + K142175
AL11323Y004B	Single Solenoid, 24VAC, Valve with base, with 96 inch leads	K352386	N/A
AL11323Y005	Single Solenoid, Valve with base, with 96 inch leads	K352386	L7452640153B+ K142171
AL11323Y006	Single Solenoid, Valve with base, with pilot exhaust on operator	K352386	L7452440153B + K142175
AL11323Y007B	Single Solenoid, Valve with base, with 96 inch leads	K352386	L7452640153B + K142171
AL11323Y008	Single Solenoid, Valve with base, with 5 pin connector in base	K352386	L7452640179B + K142290
AL11533Y001	Single Solenoid, Valve with base, with 4 pin connector in base	K352386	L7452440149B + K022113
AL11533Y002B	Single Solenoid, Valve with base and flow controls, with 5 pin connector in base	K352386	L7452440149B + K022113 + K342006
AL41323Y001	Double Solenoid, Valve with base, with 10 foot leads	K352386	L7552440153B + K142171
AL41323Y002	Double Solenoid, Valve with base and flow controls, with 10 foot leads	K352386	L7552440153B + K142171 + K342006
AL41323Y003	Double Solenoid, Valve with base, with 10 foot leads	K352386	L7552640253B + K142171
AL41323Y004B	Double Solenoid, Valve with base, with 18 foot leads	K352386	L7552640253B + K142171
AL41323Y005	Double Solenoid, Valve with base, with ISO connector	K352386	L7552610253B + K142174
AL41323Y006B	Double Solenoid, Valve with base, with 18 inch leads	K352386	L7552840253B + K142171
AL41323Y007B	Double Solenoid, Valve with base, with 18 inch leads	K352386	L7552840253B + K142171
AL41323Y008B	Double Solenoid, Valve with base, with 18 inch leads & pilot exhaust	K352386	L7552440153B + K142171
AL41323Y009	Double Solenoid, Valve with base, with 5 pin connector in base	K352386	L7552640279B + K142191
AL41523BY001	Double Solenoid, Valve with base, NLMO on 12 end, no override on 14 end	K352386	L7552610253 + K022077
AL41523BY002	Double Solenoid, Valve with base, NLMO on 14 end, no override on 12 end	K352386	L7552610253 + K022077
AL41523BY003	Double Solenoid, Valve with base, NLMO on 12 end, no override on 14 end	K352386	L7552610245 + K022077
AL41523BY004	Double Solenoid, Valve with base, NLMO on 14 end, no override on 12 end	K352386	L7552610245 + K022077
AL41523BY005	Double Solenoid, Valve with base, NLMO on 12 end, no override on 14 end	K352386	L7552610249 + K022077
AL41523BY006	Double Solenoid, Valve with base, NLMO on 14 end, no override on 12 end	K352386	L7552610249 + K022077
AL41523BY007	Double Solenoid, Valve with base, NLMO on 12 end, no override on 14 end	K352386	N/A
AL41523BY008	Double Solenoid, Valve with base, NLMO on 14 end, no override on 12 end	K352386	N/A
AL41533Y001	Double Solenoid, Valve with base and flow controls, with pilot exhaust on operator	K352386	L7552440253B + K022113
AL41533Y002	Double Solenoid, Valve with base, with 5 pin connector in base	K352386	L7552640279B + K022102 + K342006
AL41VXXY001	Double Solenoid, Valve only, with pilot exhaust on operator	K352386	L7552440253B
AL41VXXBY001	Double Solenoid, Valve only, NLMO on 12 end, no override on 14 end	K352386	L7552610253
AL41VXXBY002	Double Solenoid, Valve only, NLMO on 14 end, no override on 12 end	K352386	L7552610253
AL41VXXBY003	Double Solenoid, Valve only, NLMO on 12 end, no override on 14 end	K352386	L7552610245
AL41VXXBY004	Double Solenoid, Valve only, NLMO on 14 end, no override on 12 end	K352386	L7552610245
AL41VXXBY005	Double Solenoid, Valve only, NLMO on 12 end, no override on 14 end	K352386	L7552610249
AL41VXXBY006	Double Solenoid, Valve only, NLMO on 14 end, no override on 12 end	K352386	L7552610249
AL41VXXBY007	Double Solenoid, Valve only, NLMO on 12 end, no override on 14 end	K352386	N/A
AL41VXXBY008	Double Solenoid, Valve only, NLMO on 14 end, no override on 12 end	K352386	N/A
AL44323Y001	Double Solenoid, Valve with base, with 1/4 ports installed	K352386	L7652842153B + K142175
AL44A23Y001	Double Solenoid, Inline body, with low temperature grease	N/A	N/A
K14020559	Manifold Assembly with 18 inch leads	N/A	N/A
K17020010	Conduit Electrical connection with ISO Connection	N/A	N/A

Special History
Suggested Replacement Only, Verify with User Before Interchanging

<u>Sprint Specials</u>	<u>Special Description</u>	<u>Repair Kit</u>	<u>Closest Replacement</u>
L74042001	Single Remote Pilot, with end sections assembled in reverse	K352386	L74421101
L74042002	Single Remote Pilot, less return spring	K352386	L74421101
L74052001B	Single Solenoid, with blocked spacers at exhaust ports	K352386	L7452440153B
L74052002	Single Solenoid, with spacers at exhaust cores	K352386	L74524401 + voltage
L74052003	Single Solenoid, with special pistons for low pressure	K352386	N/A
L74052004B	Single Solenoid, with special 24VDC Coil	K352386	N/A
L74052005B	Single Solenoid, with blocked spacers at exhaust ports	K352386	L7452B40153B
L74052006	Single Solenoid, less electrical plug	K352386	L74524401 + voltage
L74052007	Single Solenoid, o-ring beneath selector replaced by disc	K352386	N/A
L74052008	Single Solenoid, with 67 VDC coil	K352386	N/A
L74052009	Single Solenoid, with 32VDC	K352386	N/A
L74052010	Single Solenoid, with automotive solenoid assembly	K352386	L7452840153B
L74052011	Single Solenoid, with operating sections reversed for reverse flow path function	K352386	L7452440153B
L74052013	Single Solenoid, blue coil, 24VDC Low watt	K352386	N/A
L74052014	Single Solenoid, with operating sections reversed for reverse flow path function	K352386	L7452410153
L75052001	Double Solenoid, with blocked spacers at exhaust ports	K352386	L7552440153B
L75052002	Double Solenoid, with blocked spacers at exhaust ports	K352386	L7552B40253B
L75052003	Double Solenoid, coil with 3 foot leads	K352386	L75524102 + voltage
L75052004	Double Solenoid, less mounting hardware and electrical plug, 125VDC	K352386	N/A
L75052005	Double Solenoid, with Legris Fittings	K352386	L7552440253
L75052006	Double Solenoid, with automotive solenoid assembly	K352386	L7552840253
L76052001B	Double Solenoid, with blocked spacers at exhaust ports	K352386	L7652441153B
L76052002	Double Solenoid, with special 24VDC Coil	K352386	N/A
L76052003B	Double Solenoid, with blocked spacers at exhaust ports	K352386	L7652B41153B
L76052004B	Double Solenoid, with 75 VDC coil	K352386	N/A
L76052005B	Double Solenoid, with 32 VDC coil	K352386	N/A
L76052006	Double Solenoid, with remote pilot operator on 14 end	K352386	L7652441153B
L77052001	Single Solenoid, with special drilling	K352386	L77524101 + voltage
L77052002	Single Solenoid, with low temperature grease & external pilot	N/A	N/A
L77053003	Single Solenoid, with low temperature grease	N/A	N/A

Inline Sprint Valve	B Series Valve
L77421101	B5F1000XXC
L7752B10153	B5E1ACH53C
L7752110145	B5E1AAH45C
L7752110153	B5E1AAH53C
L7752110157	B5E1AAH57C
L7752210140	B5E1ACH40C
L7752210142	B5E1ACH42C
L7752210143	B5E1ACH42C
L7752210145	B5E1ACH45C
L7752210149	B5E1ACH49C
L7752210153	B5E1ACH53C
L7752210157	B5E1ACH57C
L7752210159	B5E1ACH57C
L7752310153	B5E1AAH53C
L7752410119	B5E1ACH49C
L7752410149	B5E1ACH49C
L7752410153	B5E1ACH53C
L7752410153L	B5E1ACR53C
L7752410353	B5A1ACH53C
L7752510145	B5E1ADH45C
L7752510149	B5E1ADH49C
L7752510157	B5E1ADH57C
L7752510159	B5E1ADH57C
L7752610149	B5E1ADH49C
L7752610153	B5E1ADH53C
L7752710145	B5E1ADH45C
L7752810149	B5E1ADH49C
L7752810153	B5E1ADH53C
L7752810153L	B5E1ADR53C
L78421102	B541000XXC
L7852110253	B521AAH53C
L7852210240	B521ACH40C
L7852210242	B521ACH42C
L7852210245	B521ACH45C
L7852210249	B521ACH49C
L7852210251	Use Repair Kits
L7852210253	B521ACH53C
L7852210257	B521ACH57C
L7852410249	B521ACH49C
L7852410253	B521ACH53C
L7852410253L	B521ACR53C
L7852510245	B521ADH45C
L7852510249L	B521ADR49C
L7852510253	B521ADH53C
L7852610253	B521ADH53C
L7852710245	B521ADH45C
L7852810253	B521ADH53C
L79421211	B581000XXC

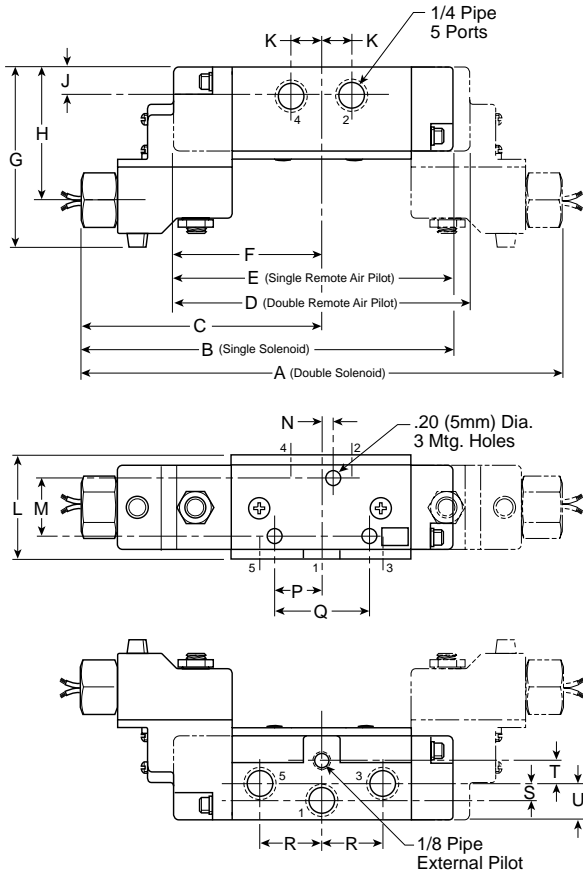
Inline Sprint Valve	B Series Valve
L79421231	B591000XXC
L7952121153	B551AAH53C
L7952122145	B561AAH45C
L7952122153	B561AAH53C
L7952221140	B551ACH40C
L7952221145	B551ACH45C
L7952221149	B551ACH49C
L7952221153	B551ACH53C
L7952221157	B551ACH57C
L7952222142	B561ACH42C
L7952222145	B561ACH45C
L7952222157	B561ACH57C
L7952223142	B571ACH42C
L7952223145	B571ACH45C
L7952223149	B571ACH49C
L7952223153	B571ACH53C
L7952421149	B551ACH49C
L7952421153	B551ACH53C
L7952422149	B561ACH49C
L7952422153	B561ACH53C
L7952423149	B571ACH49C
L7952423153	B571ACH53C
L7952522153	B561ADH53C
L7952621153	B551ACH53C
L7952821153	B551ADH53C
L7952823153	B571ADH53C

Notes

These are the suggested functional replacements.
 If using an external pilot, please consult the factory.

See page 36 for dimensional information.

2 & 3-Position Direct Pipe Ported Valves

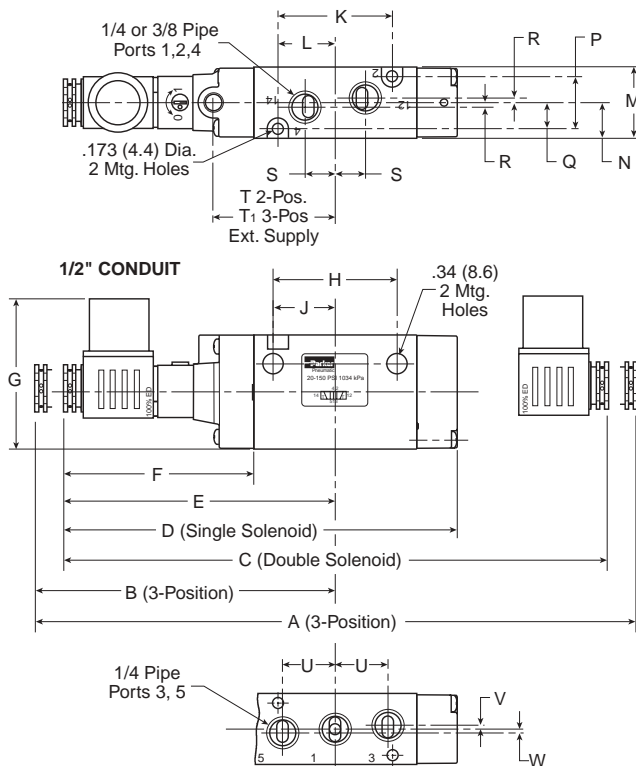


Dimensions:

	inches	mm
A	8.70	221
B	6.75	172
C	4.35	110
D	5.82	148
E	5.31	135
F	2.91	74
G	3.31	84
H	2.37	60
J	.56	14
K	.60	15
L	2.00	84
M	1.03	20

	inches	mm
N	.19	5
P	.98	25
Q	1.56	40
R	1.20	30
S	.31	8
T	.44	11
U	.69	18

4-Way Alternative Electrical Enclosures



Dimensions:

	inches	mm
A	9.94	252,5
A ₁	.872	221,4
B	4.97	126,2
C	9.00	228,6
D	6.52	165,6
E	4.50	114,3
F	3.15	80,0
G	2.47	62,8
H	2.05	52,1
J	1.03	26,2
K	1.89	48,0
L	.95	24,1

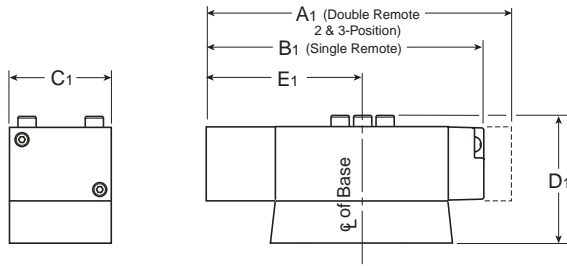
	inches	mm
M	1.18	30,0
N	.59	15,0
P	.87	22,1
Q	.43	10,9
R	.08	2,0
S	.50	12,7
S ₁	.06	1,5
T	2.01	51,1
T ₁	2.47	62,7
U	.87	22,1
V	.06	1,5
W	.07	1,8

<u>Sprint Valve</u>	<u>Suggested Functional Replacement</u>
L7452740140B	Use Repair Kits
L7552240240B	Use Repair Kits
L7752210141	Use Repair Kits
L7752210142	Use Repair Kits
L7752210142	Use Repair Kits
L7452240142B	F51VXBH012A
L7452540142B	F51VXBG012A
L7452410142	Use Repair Kits
L7452140142B	F51VXBG012A
L7552240242B	F52VXBH012A
L7552A40242B	F52VXBK012A
L7552740242B	F52VXBG012A
L7652241142B	F55VXBH012A
L7652242142B	F56VXBH012A
L7452210143	Use Repair Kits
L7452240143B	F51VXBH012A
L7552740243B	F52VXBG012A
L7452240151B	Use Repair Kits
L7652241151B	Use Repair Kits
L7752210157	Use Repair Kits
L7452240157B	F51VXBH087A
L7452540157B	F51VXBG087A
L7452740157B	F51VXBG087A
L7452210157	Use Repair Kits
L7552240257B	F52VXBH087A
L7552540257B	F52VXBG087A
L7652241157B	F55VXBH087A
L7652242157B	F56VXBH087A
L7652542157B	F56VXBG087A
L7652243157B	F57VXBH087A
L7452210159	Use Repair Kits
L7452240159B	F51VXBH087A
L7552240259B	F52VXBH087A
L7552540259B	F52VXBG087A
L7552740259B	F52VXBG087A
L7652541159B	F55VXBG087A
L7652242159B	F56VXBH087A
L7652542159B	F56VXBG087A
L7652243159B	F57VXBH087A
L74525401B9B	F51VXBG019A
L74526401B9B	F51VXBG019A
L74524401B9B	F51VXBH019A
L74526501B9B	F51VXBG019A
L75525402B9B	F52VXBG019A
L75526402B9B	F52VXBG019A
L75524402B9B	F52VXBH019A
L76526411B9B	F55VXBG019A
L76526421B9B	F56VXBG019A
L76524421B9B	F56VXBH019A

Notes

These are the suggested functional replacements.
 If using an external pilot, please consult the factory.

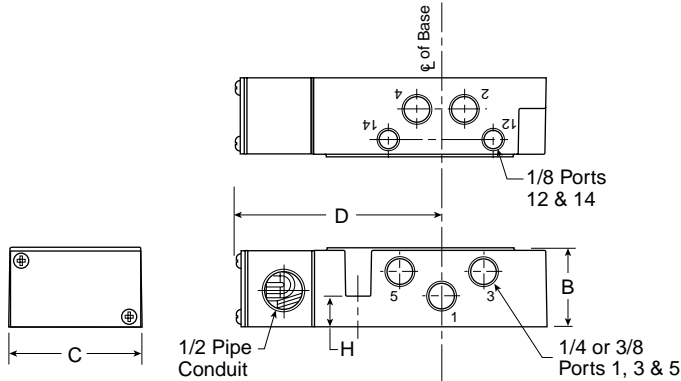
See page 38 for dimensional information.



Dimensions

A ₁	B ₁	C ₁	D ₁
4.58 (116)	4.13 (105)	1.67 (42)	1.82 (46)
E ₁			
2.29 (58)			

Inches (mm)

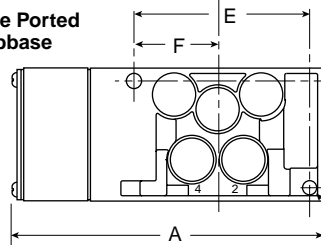


Dimensions

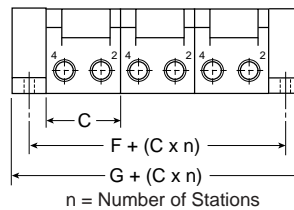
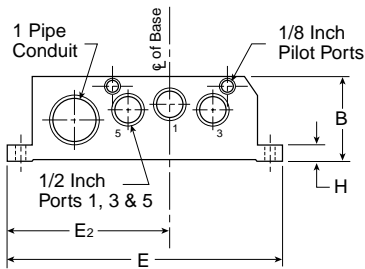
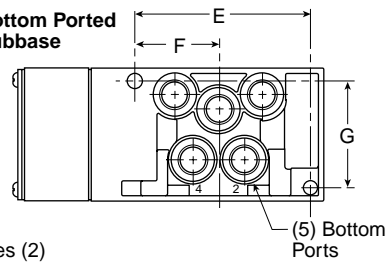
A	B	C	D
5.83 (148)	1.48 (38)	2.50 (64)	3.86 (98)
E	F	G	H
3.29 (84)	1.57 (40)	2.00 (51)	.57 (14.5)

Inches (mm)

Side Ported Subbase



Bottom Ported Subbase



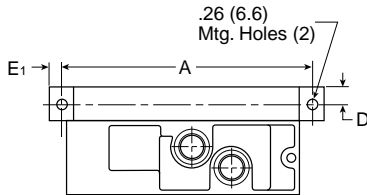
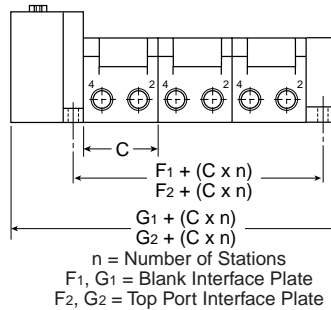
Dimensions

A	B	C	D
6.50 (165)	2.21 (56)	1.93 (49)	.44 (11)
D ₁	D ₂	E	E ₁
.41 (11)	1.10 (28)	7.15 (182)	.33 (8)
E ₂	F	F ₁	F ₂
4.25 (108)	.87 (22)	.64 (16)	.90 (23)
G	G ₁	G ₂	H
1.80 (46)	2.56 (65)	3.26 (83)	.42 (11)

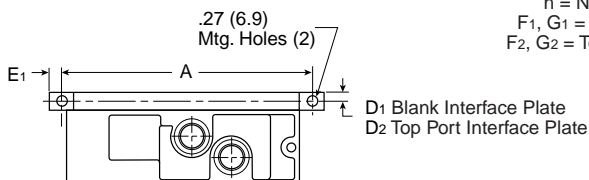
Inches (mm)

* For 19-Pin Round Connector Module, add 1.08" (27.5mm) to the G₁ & G₂ dimensions.

Manifold with Optional Collective Wiring System



Bottom Ported Manifold



Interface Plate Mounting Hole Locations

Instructions



Pneumatic Division
Richland, Michigan 49083

! WARNING

To avoid unpredictable system behavior that can cause personal injury and property damage:

- Disconnect electrical supply (when necessary) before installation, servicing, or conversion.
- Disconnect air supply and depressurize all air lines connected to this product before installation, servicing, or conversion.
- Operate within the manufacturer's specified pressure, temperature, and other conditions listed in these instructions.
- Medium must be moisture-free if ambient temperature is below freezing.
- Service according to procedures listed in these instructions.
- Installation, service, and conversion of these products must be performed by knowledgeable personnel who understand how pneumatic products are to be applied.
- After installation, servicing, or conversion, air and electrical supplies (when necessary) should be connected and the product tested for proper function and leakage. If audible leakage is present, or the product does not operate properly, do not put into use.
- Warnings and specifications on the product should not be covered by paint, etc. If masking is not possible, contact your local representative for replacement labels.

Introduction

Follow these instructions when installing, operating, or servicing the product.

Application Limits

These products are intended for use in general purpose compressed air systems only.

Wiring Instructions

Units with flying leads

Single Solenoid: Use wires marked "2" and "3" for connection to the solenoid. Either may be "Hot".

Double Solenoid: Use wires marked "1" and "2" for Solenoid "12". Either may be "Hot". Use wires marked "3" and "4" for Solenoid "14". Either may be "Hot".

! CAUTION: DC solenoids with indicator lights and/or arc suppression coils are polarity sensitive. Use wire number 2 for single solenoid valves and wire numbers 1 and 4 for double solenoid valves as positive.

Earth ground: All electrically operated valves must be provided a proper earth ground. Remove the end cover of the manifold or subbase and connect a ground lead to the green ground screw.

NOTE: In addition to the above instructions, follow all requirements for local and national electrical codes.

Conversion Procedure For External Pilot

Internal/External Pilot Conversion – Valves are field convertible to an external pilot supply for applications where pressure supplied to the valve inlet is lower than the specified service limitations, including vacuum or dual pressure service and applications using sandwich regulators.

Valves With Black Covers

1. Remove two recessed Phillips-head screws securing valve cover.
2. Lift cover off valve.
3. Remove the rubber selector and reposition with the number "2" aligned with the pointer on the valve body.
4. Replace cover on valve and tighten screws to 10 – 12 in.-lbs.
5. Connect pressure signal (between 35 and maximum psig) to port "X", "12" or "14" on valve body or base. (This step is not necessary when converting valve for use with sandwich regulators).

Valves With Light Grey Covers

1. Loosen two recessed Phillips-head screws securing valve cover.
2. Loosen selector by lightly tapping on cover with plastic mallet.
3. Turn selector to align with number "2" on valve cover.
4. Tighten screws to 20 in.-lbs.
5. Same as Step 5 above.

Pilot Selector Code

Position	Operator Type	Pilot Supply	Sandwich Regulator	Port 12	Port 14
1	Solenoid	Internal	No	Plug	Plug
2	Solenoid	External	No	Plug	*
3	Single Pilot	N/A	No	Plug	Pilot Signal
4	Double Pilot	N/A	No	Pilot Signal	Pilot Signal
2	Solenoid	Internal	Yes	Plug	Plug
2	Solenoid	External	Yes	Plug	*
4	Single Pilot	N/A	Yes	**	Pilot Signal
4	Double Pilot	N/A	Yes	Pilot Signal	Pilot Signal

* Supply 35 – 150 PSIG (35 – 100 PSIG for low watt) (or at port "X" if applicable).

** Supply 35 – 150 PSIG (35 – 100 PSIG for low watt).

! WARNING

FAILURE OR IMPROPER SELECTION OR IMPROPER USE OF THE PRODUCTS AND/OR SYSTEMS DESCRIBED HEREIN OR RELATED ITEMS CAN CAUSE DEATH, PERSONAL INJURY AND PROPERTY DAMAGE.

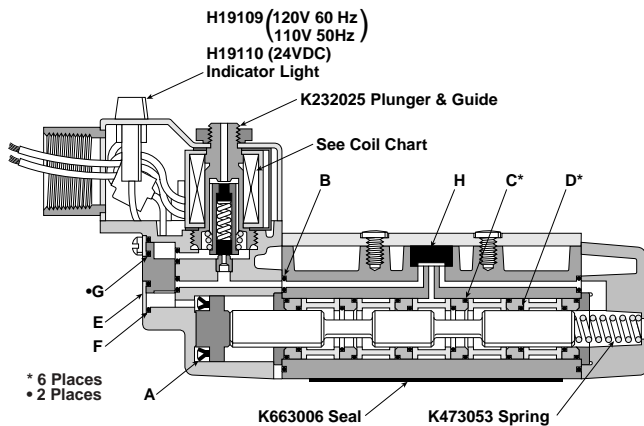
This document and other information from Parker Hannifin Corporation, its subsidiaries and authorized distributors provide product and/or system options for further investigation by users having technical expertise. It is important that you analyze all aspects of your application, including consequences of any failure and review the information concerning the product or systems in the current product catalog. Due to the variety of operating conditions and applications for these products or systems, the user, through its own analysis and testing, is solely responsible for making the final selection of the products and systems and assuring that all performance, safety and warning requirements of the application are met.

The products described herein, including without limitation, product features, specifications, designs, availability and pricing, are subject to change by Parker Hannifin Corporation and its subsidiaries at any time without notice.

Instructions

Service Procedures

NOTE: All cleaning of parts to be done with mineral spirits or equivalent cleaning solution. Grease should be a mineral based lubricant (Magnalube G). All parts showing nicks, scratches or other signs of wear or damage should be replaced.



Valve Service (Use Kit K352386)

1. Mark end sections to ensure re-assembly on the proper end.
Remove two socket head screws from each end section and detach.
NOTE: Valves with model numbers ending in "B" have end sections with wiring that cannot be detached. Wire length is sufficient for service access. Remove spring (where applicable).
2. Remove spool and clean. Note which end spring or spring bore in spool was on.
3. Remove molded seal from each end of body and discard.
4. Remove end spacers, spacers, seal retainers, and o-rings (**C & D**). Discard o-rings. Clean body and all retained parts.
5. Lightly grease new o-rings (**C & D**) and install onto seal retainers.
6. Using the spool as a mandrel, begin reassembly by sliding a seal retainer (outside o-ring (**C**) facing downward) over the spool and push down. Then stack a spacer on top of the seal retainer. Next, stack a seal retainer (outside o-ring facing upward). Repeat this process alternating seal retainer orientation each time. The final assembly should have outside o-rings (**C**) showing at each end of the spool.
NOTE: Valves with four (4) brass and two (2) aluminum seal retainers must be reassembled with the aluminum seal retainers in the middle two (2) positions.
7. Grease the outside of this assembly and gently slide it into the valve body. (On spring return valves, the hollow end of the spool goes on the spring return end.)
8. Lightly grease new end gaskets (**B**) and place in grooves in ends of body.
9. **Solenoid and Remote Operated End Sections** – Remove piston from bore. Remove lipseal (**A**) and discard. Clean piston and housing bore. Grease new lipseal and assemble to piston. Reassemble piston into housing (lipseal end first). Reassemble end sections to body torquing screws to 40 in.-lbs.

10. **Spring Return End Sections** – Slide spring into bore in end of spool. Compress spring while assembling end housing to body with socket head screws. Torque screws to 30-35 in.-lbs.
11. **Manual Override Service** – Remove the two Phillips-head screws securing the manual override on the solenoid end(s). Discard seal (**E**) and o-ring (**F**) and the two seated o-rings (**G**) in the override bore. Clean the override and its bore and install new o-rings. Lightly grease all seals and reinstall the override with the two screws making sure to insert locking style override with the slot vertical so that only 90° of clockwise rotation is possible.
12. **Pilot Selector Service (Valves with black cover)** – Remove the cover by removing the two Phillips-head screws located on top of the valve. Remove and discard rubber selector (**H**). Clean selector cavity and place new selector in cavity oriented so that number on rubber selector is adjacent to selector arrow on top of body. (Number to set selector is obtained from Pilot Selector Code on front of this sheet.) Re-install cover and screws, torquing screws to 10-12 in.-lbs.
13. **Pilot Selector Service (Valves with light grey cover)** – Remove the cover by removing the two Phillips-head screws located on top of the valve. Pull out the selector dial, remove & discard old o-rings. Clean the selector cavity, lightly grease and install the new o-rings, and re-install the selector dial and valve cover. Set the selector per Pilot Selector Code & torque the cover screws to approximately 20 in.-lbs.

NOTE: See pages 12 or 13 for Service Kit / Coil information

Instructions

MANUAL OVERRIDE CONVERSION

The following override assemblies are interchangeable and can be field converted:

- Locking override.....K152008
- Flush non-locking override.....K162005
- Push-button non-locking override.....K162006

- 1) Remove the override assembly by removing the two Phillips-head screws.
- 2) Remove the two seals in the override bore and replace with the two small o-rings supplied with the kit. Place the round gasket with the u-shaped protrusion back into place (if it becomes dislodged).
- 3) Install the new override assembly re-using the two Phillips-head screws. (For locking overrides, install unit with the slot vertical so that only 90 degrees of clockwise rotation is possible.)

NOTE: Non-locking overrides are held out by air pressure and may not extend until pressure is reapplied to the valve.

Solenoid Pilot Service

- 1) Remove hex nut (A) and cover (B). Slide coil and frame assembly (C) off of plunger guide (D). Unscrew the plunger guide and remove plunger (E), spring (F) and o-ring (G).
- 2) Clean plunger guide, plunger, spring and seat in housing. Replace plunger guide assembly if necessary.
- 3) Grease o-ring and place at bottom of threaded bore. Very lightly grease plunger. Reassemble plunger and spring into plunger guide. Screw plunger guide into housing and torque to 50-60 in.-lbs.
- 4) Slide coil and frame assembly back onto plunger guide. Gently pack wires under cover while reassembling on top of end housing (be careful not to pinch wires under edge of cover).
- 5) Screw hex nut onto plunger guide and torque to 30-40 in.-lbs.

Coil / Indicator Light Replacement – Conduit Style Valves

- 1) Disconnect solenoid leads from machine wiring. Remove conduit from conduit port in cover (if necessary).
- 2) Remove hex nut (A) and cover (B). Slide coil and frame assembly (C) off of plunger guide (D). Remove frame and washer (H) from coil. Discard coil.
- 3) On units with indicator light, snap open splice connectors (J) and pry clip out of splice. Slide wires out of splice. If replacing indicator light (K), crush lens. Pull out light and discard. Slide new light into housing and slide clip over indicator light until firmly contacting housing. Slide one coil and one indicator light wire into each splice. If multi-colored wires are present, connect red to red and back to white. Place clip into splice and press until flush with top of splice. Snap splice housing shut.
- 4) Reassemble in reverse order of disassembly. Torque hex nut to 30-40 in.-lbs.

Coil / Indicator Light Replacement – Plug-In Valves (Model numbers NOT ending with “B”)

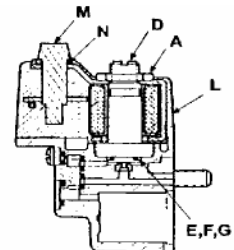
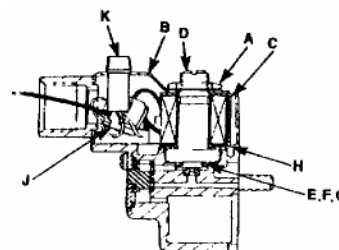
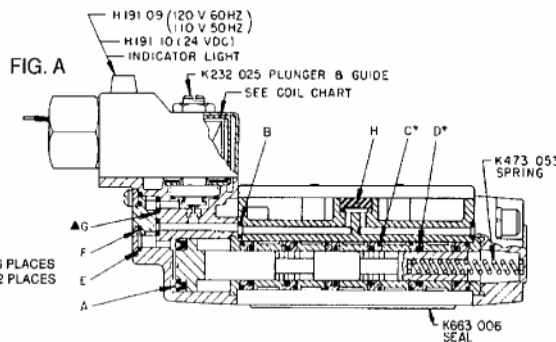
- 1) Remove the two socket head screws from solenoid end section and detach.
- 2) Remove hex nut (A) and cover (B). Slide coil and frame assembly (C) off of plunger guide (D). Remove frame and washer (H) from coil.
- 3) Using Amp Tool No. 305183-R, disengage pins from plastic housing. Disengage locking tab on top of plastic housing and remove from end section. Pull wires out of end section.
- 4) On units with indicator lights, see Step 3 for Coil/Indicator Light Replacement – Conduit Style Valves above.
- 5) Slide solenoid wires through top of housing and out end. Slide plug housing over ends of wires (red wire on top if applicable) until pins click into housing. Slide plastic housing into end section until secured by locking tab.
- 6) Reassemble in reverse order of assembly. Ascertain that leads are not in a position to be pinched by cover. Tighten hex nut to 30-40 in.-lbs.

Coil Replacement (Model numbers ending with “B”)

- 1) Remove hex nut (A). Lift coil assembly (L) off of plunger guide (D) and discard.
- 2) Place new coil assembly on plunger guide and push down until seated.
- 3) Tighten hex nut to 30-40 in.-lbs.

Indicator Light Replacement (Model numbers ending with “B”)

- 1) Gently pry up under light (M) and remove. Discard light and o-ring seal (N).
- 2) Slide new o-ring over lamp body.
- 3) Align “+” printed on light with the “+” molded on the coil. Insert the light and press firmly to seat.



Instructions

INSTALLATION / OPERATING INSTRUCTIONS For Sandwich Flow Controls

Flow Control “Sandwich” used in conjunction with Single Port version of Sandwich Regulator - Adjust speed with the adjusting screw on the regulator end of the Sandwich Regulator. It adjusts the speed of exhaust flow from cylinder ports “2” and “4”. Independent speed adjustment is not possible. This could result in different exhaust speeds for cylinder ports “2” and “4” since line pressure is supplied to one cylinder port and a regulated pressure is supplied to the other. The other adjusting screw is non-functional.

Flow Control “Sandwich” used in conjunction with Independent Port version of Sandwich Regulator - Fully close one adjustment screw and perform adjustment with the other. Either adjustment screw controls the speed of exhaust flow from cylinder ports “2” and “4”. Independent speed adjustment is not possible. This could result in different exhaust speeds for cylinder ports “2” and “4” since a different regulated pressure is supplied to each cylinder port.

INSTALLATION

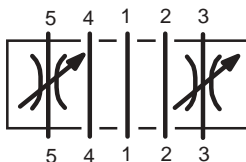
- 1) Remove the valve from the subbase or manifold (if assembled) by removing and discarding the three mounting screws.
- 2) Clean all mating surfaces of valve, subbase or manifold and Flow Control “Sandwich” of dust and dirt.
- 3) Apply a light coating of grease (in kit) to gasket and place in gasket track on bottom of Flow Control “Sandwich”.
- 4) Place Flow Control “Sandwich” on top of subbase or manifold lining up all three mounting holes. Electrically operated valves also require pressing down on flow control to seat electrical plug.
- 5) Apply a light coating of grease (in kit) to valve gasket and place in gasket track on bottom of valve.
- 6) Place valve on top of Flow Control “Sandwich” lining up all three mounting holes. Electrically operated valves also require pressing down on valve to seat electrical plug.
- 7) Assemble valve, flow control and subbase or manifold together with (3) 1/4-20 screws. Tighten to 35-40 in-lbs. (If valve has a black plastic cover use the (3) 1/4-20 socket head cap screws. If valve has a gray metal cover use (3) 1/4-20 button head screws, P/N H09829. Part number H09829 must be ordered separately).
- 8) Apply pressure to subbase or manifold and check for leakage at gasket interfaces. If audible leakage or noticeable bubbling (using soapy water at joints) is present the gasket probably was accidentally pushed out of the groove during assembly. If this occurs remove pressure, disassemble and replace gasket.

ADJUSTMENT PROCEDURES

Adjustment screw nearest to junction box cover on subbase or manifold controls the flow of air from cylinder port 4 to exhaust port 5. With a double solenoid valve this occurs when operator #12 is actuated. With a single solenoid valve this occurs when operator #14 is not actuated. Adjustment screw on other end controls air from cylinder port 2 to exhaust port 3.

- 1) Turn both adjustment screws clockwise until fully closed and then counterclockwise slightly.
- 2) While cycling valve with cylinder adjust clockwise to decrease speed or counterclockwise to increase speed.

ANSI SYMBOL



INSTALLATION / OPERATING INSTRUCTIONS For Sandwich Regulator



CAUTION: The reverse valve porting utilized with Independent Port and Single Port Regulation will reverse the function of 4-way, 3-position cylinder to exhaust and 4-way, 3-position inlet to cylinder valves. Utilize the opposite function valve for normal operation.

INSTALLATION

If valve is not mounted to base skip steps 1 and 2.

- 1) Remove (3) body to base mounting bolts and lift valve body from subbase or manifold and retain body to base seal.
- 2) Thoroughly clean both valve body and base mounting surfaces of all foreign residue.
- 3) Verify that the valve selector is properly set for use with a sandwich regulator per the *Selector Settings Table* as follows:
 - a) **VALVES WITH BLACK COVERS**
 1. Remove (2) recessed phillips-head screws securing valve cover.
 2. Lift cover off valve.
 3. Remove the rubber selector and reposition it with the Position Number from the *Selector Settings Table* aligned with the pointer on the valve body.
 4. Replace cover on valve and tighten screws to 10-12 in lbs.
 - b) **VALVES WITH LIGHT GREY COVERS**
 1. Loosen (2) recessed phillips-head screws securing valve cover.
 2. Loosen selector by lightly tapping on cover with plastic mallet.
 3. Turn selector so that its arrow is aligned with the Position Number from the *Selector Settings Table*.
 4. Tighten screws to 20 in lbs.
- 4) Install seal (Item #15) into the grooves on the bottom surface of the Sandwich Regulator.

Instructions

INSTALLATION (CONTINUED)

- 5) Proceed as follows depending on the type of plug arrangement:
 - a) **Sandwich Regulators with bridge plug** ("B" or "F" suffix in part number) simply align mating plug of regulator assembly to that of the base and press down.
 - b) **Sandwich Regulators with plug/wire harness** ("E", "G", or "L" suffix or no suffix in part number), remove the existing plug/wire harness in the valve base. Snake the wires from the Sandwich Regulator through the empty plug opening out the conduit opening in the valve base.
- 6) Using the (3) new mounting bolts (Item #14), secure the Sandwich Regulator to the base torquing the bolts to 40 in-lbs.
- 7) Using the (3) existing mounting bolts, secure the valve to the Sandwich Regulator base torquing the bolts to 40 in-lbs.

Selector Settings Table

Position Number	Valve Operator Type
2	Single and Double Solenoid
4*	Single Remote Pilot
4	Double Remote Pilot

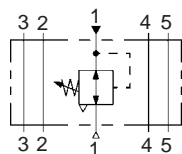
* Provide external pilot supply of 35 to 150 psig to the valve through manifold port 12.



CAUTION: Valve pilot supply selector must be reset per the above table since these settings differ from those used for a valve without a sandwich regulator. Valves may fail to function properly if this procedure is not followed. Selector position number 2 provides internal pilot supply for single and double solenoid operated valves. If external pilot supply is required (main supply pressure is less than 35 psig) use a sandwich regulator drilled for external pilot supply (E, F, or G in the 10th digit of the model number).

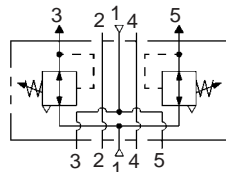
ANSI DIAGRAMS

COMMON PORT



MANIFOLD SIDE

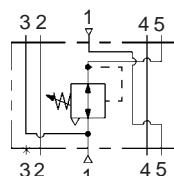
INDEPENDENT PORT



MANIFOLD SIDE

SINGLE PORT

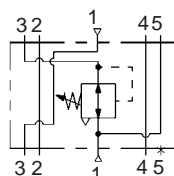
VALVE SIDE



MANIFOLD SIDE

PORT 5 REGULATED

VALVE SIDE



MANIFOLD SIDE

PORT 3 REGULATED

OPERATION

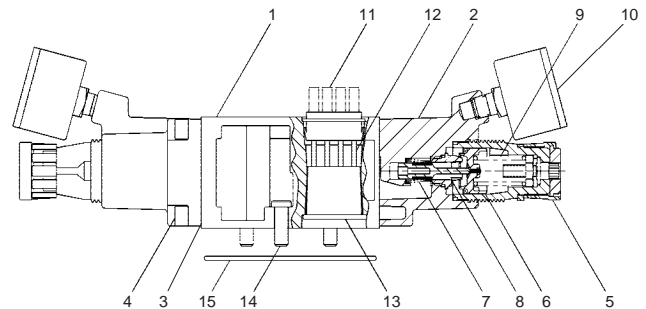
- 1) Supply air to the manifold inlet gallery or subbase inlet port.
- 2) Disengage locking knob by pulling outward.
- 3) To increase pressure supplied to the valve turn locking knob clockwise until desired pressure is reached.
- 4) To decrease pressure supplied to the valve turn locking knob counterclockwise past the desired pressure setting and then slowly turn the knob clockwise until the desired pressure setting is reached.
- 5) Press the locking knob inward to secure the adjustment.
- 6) Adjustment may require resetting to compensate for flow after the valve is cycling in normal use.

REPLACEMENT PARTS

Service Kit PS460BP
(Two kits required for units with Independent Port Regulation)

ITEM NO.	DESCRIPTION	PART NUMBER	QTY.		
			COMMON PORT	INDEPENDENT PORT	SINGLE PORT
1	Interface Block	NSS	1	1	1
2	Regulator Housing	NSS	1	2	1
3	Gasket	KIT	1	2	1
4	Screw (SHCS, 10-32 X 1/2)	K05R1110F050	4	8	4
5	Bonnet Assembly	L0136901	1	2	1
6	Piston Assembly	KIT	1	2	1
7	Poppet Assembly	KIT	1	2	1
8	Seat	KIT	1	2	1
9A	Control Spring, 125 psi	P01173	1	2	1
9B	Control Spring, 60 psi	P01174	1	2	1
9C	Control Spring, 30 psi	P01175	1	2	1
9D	Control Spring, 15 psi	P01176	1	2	1
10A	Gauge, 160 psi	H03274	1	2	1
10B	Gauge, 60 psi	H03273	1	2	1
10C	Gauge, 30 psi	H03272	1	2	1
10D	Gauge, 15 psi	P530157	1	2	1
10E	Gauge, 100 psi Liquid Filled	H03276	1	2	1
11	Cap Housing	K203076	1	1	1
12A	Wire Assembly, 18"	K512006	1	1	1
12B	Wire Assembly, 6"	K51020003	1	1	1
13	Pin Housing *	K203089	1	1	1
14	Screw (Low Head SHCS, 1/4-20 X 3/4)	H30901	3	3	3
15	Seal	K663006	1	1	1

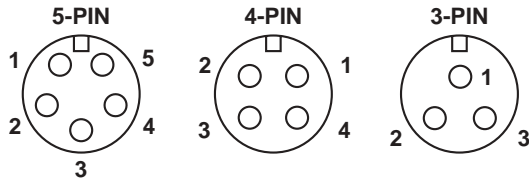
* For plug options "B" or "F" (Bridge plug) only.
NSS – Not Sold Separately.



Instructions

WIRING INSTRUCTIONS

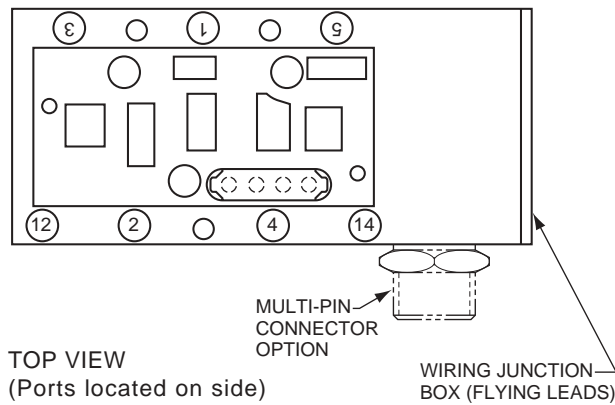
For Units with 3-pin, 4-pin or 5-pin connectors:



Pin numbers as viewing face of male receptacle.

	3-pin	4-pin Ford	5-pin Ford	4-pin Chrysler	5-pin Chrysler	4-pin G M	5-pin G M
Pin No	Function	Function	Function	Function	Function	Function	Function
1	Ground	Not used	Sol 14 (+)	Sol 14 (+)	Sol 12 (+)	Sol 12 (+)	Sol 12 (+)
2	Sol (+)	Sol 12 (+)	Sol 12 (+)	Ground	Sol 12 (-)	Not used	Sol 14 (+)
3	Sol (-)	Common(-)	Ground	Common(-)	Ground	Common(-)	Ground
4	—	Sol 14 (+)	Sol 12 (-)	Sol 12 (+)	Sol 14 (-)	Sol 14 (+)	Sol 14 (-)
5	—	—	Sol 14 (-)	—	Sol 14 (+)	—	Sol 12 (-)

Note: Solenoid 14 is wired for single solenoid valves.



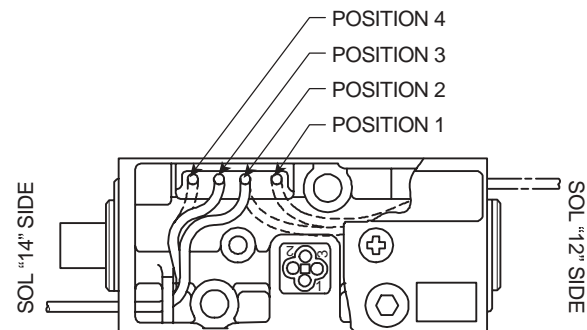
PLUG-IN SOLENOID CONVERSION INSTRUCTIONS

To replace one solenoid on a single-solenoid valve or both solenoids on a double-solenoid valve:

- 1) Remove air, electricity, etc.
- 2) Remove old solenoid end section(s) and discard.
- 3) Remove valve body cover and remove all wiring and plugs from body.
- 4) Insert new 4-pin plug housing in body (note orientation of plug, taller side of plug rests against wall of valve body).
- 5) Assemble new end section(s) to body passing lead wires into body cavity and torque screws to 40 in-lbs.
- 6) Insert pins on ends of lead wires into plastic plug housing until they lock in place in the location shown in the wiring diagram.
- 7) Replace valve cover and tighten screws to 10-12 in-lbs on black covers, and on grey covers, 20 in-lbs.

To replace one solenoid only on a double-solenoid valve:

- 1) Remove air, electricity, etc.
- 2) Remove old solenoid end section and discard.
- 3) Remove valve body.
- 4) Using pliers, pull the wires going to the solenoid to be replaced out of the 4-wire plug housing (The pins can be removed easier by using AMP tool no. 305183-R.)
- 5) Remove the wires and the corresponding 2-wire plug from the body and discard.
- 6) Assemble new end section to body passing lead wires into body cavity and torque screws to 40 in-lbs.
- 7) Insert pins on ends of lead wires into plastic plug housing until they lock in place in the location shown in the wiring diagram.
- 8) Replace valve cover and tighten screws to 10-12 in-lbs on black covers, and on grey covers, 20 in-lbs.



Notes

Automotive wiring option is no longer available.

Type	Body Wiring Solenoid Lead	Body Plug
Single Solenoid	Black Wire	Position 3
	Red Wire	Position 2
	Black Wire	Position 2
Double Solenoid	Solenoid 12	
	Red Wire	Position 1
	Solenoid 12	
	Black Wire	Position 3
	Solenoid 14	
	Red Wire	Position 4
	Solenoid 14	

MANIFOLDING ASSEMBLY PROCEDURES

(See Figure A)

Manifolds may be assembled to one another either before or after assembling valves to manifolds. If inlet, exhaust or external pilot galleries are to be isolated from neighboring manifolds, follow isolation procedures before proceeding with this section.

- 1) Line up manifolds in order of assembly while viewing cylinder ports "2" and "4". From the port plate kit, place the right port plate (A) -stamped K568-052 - at the right end of the bank.
 - 2) Apply a light coating of grease to a gasket (packet in kit) and place in groove in first manifold from right.
 - 3) Assemble first manifold to right port plate (A) with two short button head screws (B). Allen wrench may be inserted through the adjacent manifold mounting hole for tightening (C). Torque screws to 40 in-lbs.
- CAUTION:** Verify that the gasket has not been pinched out of its track before moving on to the next station.
- 4) Assemble remaining manifolds by repeating steps 2 and 3.
 - 5) Apply a light coating of grease to a gasket (packet in kit) and place in groove in left port plate (E).
 - 6) Assemble left port plate (E) to last manifold with two long button head screws (F) with lockwashers. Torque screws to 40 in-lbs.
 - 7) Mount valves on manifolds per Valve Mounting Procedures (if not already attached).
 - 8) Apply air pressure to the assembly and check for leaks and proper operation.

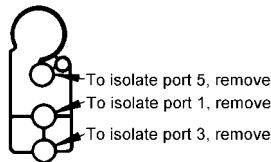
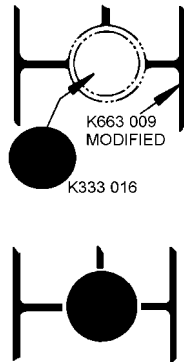


FIG. B



MANIFOLD ISOLATION PROCEDURES

(See Figure B)

Inlet, exhaust and external pilot galleries may be isolated from those in neighboring manifolds through the use of isolation disks/plugs.

- 1) Determine which gallery is to be isolated between two manifolds.
- 2) Modify the manifold interface gasket by cutting out the circular seal portion of the gasket around the gallery to be isolated.
- 3) Apply a light coating of grease (packet in kit) to isolation disk/plug and insert into counterbore.
- 4) Apply a light coating of grease (packet in kit) to modified gasket and assemble in manifold groove.

NOTE: When port 1 is isolated, valves on lower pressure side disc must be converted to external pilot supply (position 2 on the selector). The pilot air on these valves is provided by the inlet signal on the high pressure side of the disc, providing that one of the valves out that side is set to internal pilot supply (position 1 on the selector).

OPTIONAL ACCESSORIES

MANIFOLD AUXILIARY PORT BASE - may be used to provide a supplementary/different supply pressure and/or external pilot supply pressure to a group of valves isolated in the central portion of the bank of manifolds. Assembly and isolation procedures are the same as those for manifold blocks with the exception that there is no wiring to be done or valves to be attached to these stations.

Air connections are the same as on port plates. Ports 1, 3, and 5 are provided on both top and bottom of block. Port "X" is located on the bottom.

BLANK STATION PLATE - used with a manifold block to reserve a place for a valve that will be later added to the manifold bank or to remove a valve from a manifold without having to remove the manifold block from the manifold bank.

Place gasket and block on manifold and assemble using screws provided with plate. Tighten screws to 40 in-lbs max.

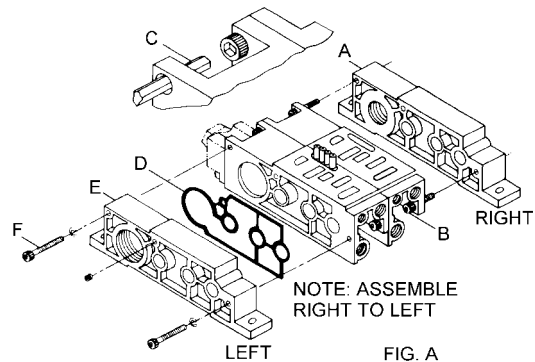


FIG. A

Notes

The items described in this document and other documents or descriptions provided by Parker Hannifin Corporation, its subsidiaries and its authorized distributors, are hereby offered for sale at prices to be established by Parker Hannifin Corporation, its subsidiaries and its authorized distributors. This offer and its acceptance by any customer ("Buyer") shall be governed by all of the following Terms and Conditions. Buyer's order for any such item, when communicated to Parker Hannifin Corporation, its subsidiaries or an authorized distributor ("Seller") verbally or in writing, shall constitute acceptance of this offer.

1. Terms and Conditions of Sale: All descriptions, quotations, proposals, offers, acknowledgments, acceptances and sales of Seller's products are subject to and shall be governed exclusively by the terms and conditions stated herein. Buyer's acceptance of any offer to sell is limited to these terms and conditions. Any terms or conditions in addition to, or inconsistent with those stated herein, proposed by Buyer in any acceptance of an offer by Seller, are hereby objected to. No such additional, different or inconsistent terms and conditions shall become part of the contract between Buyer and Seller unless expressly accepted in writing by Seller. Seller's acceptance of any offer to purchase by Buyer is expressly conditional upon Buyer's assent to all the terms and conditions stated herein, including any terms in addition to, or inconsistent with those contained in Buyer's offer. Acceptance of Seller's products shall in all events constitute such assent.

2. Payment: Payment shall be made by Buyer net 30 days from the date of delivery of the items purchased hereunder. Amounts not timely paid shall bear interest at the maximum rate permitted by law for each month or portion thereof that the Buyer is late in making payment. Any claims by Buyer for omissions or shortages in a shipment shall be waived unless Seller receives notice thereof within 30 days after Buyer's receipt of the shipment.

3. Delivery: Unless otherwise provided on the face hereof, delivery shall be made F.O.B. Seller's plant. Regardless of the method of delivery, however, risk of loss shall pass to Buyer upon Seller's delivery to a carrier. Any delivery dates shown are approximate only and Seller shall have no liability for any delays in delivery.

4. Warranty: Seller warrants that the items sold hereunder shall be free from defects in material or workmanship for a period of 18 months from date of shipment from Parker Hannifin Corporation. THIS WARRANTY COMPRISES THE SOLE AND ENTIRE WARRANTY PERTAINING TO ITEMS PROVIDED HEREUNDER. SELLER MAKES NO OTHER WARRANTY, GUARANTEE, OR REPRESENTATION OF ANY KIND WHATSOEVER. ALL OTHER WARRANTIES, INCLUDING BUT NOT LIMITED TO, MERCHANTABILITY AND FITNESS FOR PURPOSE, WHETHER EXPRESS, IMPLIED, OR ARISING BY OPERATION OF LAW, TRADE USAGE, OR COURSE OF DEALING ARE HEREBY DISCLAIMED.

NOTWITHSTANDING THE FOREGOING, THERE ARE NO WARRANTIES WHATSOEVER ON ITEMS BUILT OR ACQUIRED WHOLLY OR PARTIALLY, TO BUYER'S DESIGN OR SPECIFICATIONS.

5. Limitation of Remedy: SELLER'S LIABILITY ARISING FROM OR IN ANY WAY CONNECTED WITH THE ITEMS SOLD OR THIS CONTRACT SHALL BE LIMITED EXCLUSIVELY TO REPAIR OR REPLACEMENT OF THE ITEMS SOLD OR REFUND OF THE PURCHASE PRICE PAID BY BUYER, AT SELLER'S SOLE OPTION. IN NO EVENT SHALL SELLER BE LIABLE FOR ANY INCIDENTAL, CONSEQUENTIAL OR SPECIAL DAMAGES OF ANY KIND OR NATURE WHATSOEVER, INCLUDING BUT NOT LIMITED TO LOST PROFITS ARISING FROM OR IN ANY WAY CONNECTED WITH THIS AGREEMENT OR ITEMS SOLD HEREUNDER, WHETHER ALLEGED TO ARISE FROM BREACH OF CONTRACT, EXPRESS OR IMPLIED WARRANTY, OR IN TORT, INCLUDING WITHOUT LIMITATION, NEGLIGENCE, FAILURE TO WARN OR STRICT LIABILITY.

6. Changes, Reschedules and Cancellations: Buyer may request to modify the designs or specifications for the items sold hereunder as well as the quantities and delivery dates thereof, or may request to cancel all or part of this order, however, no such requested modification or cancellation shall become part of the contract between Buyer and Seller unless accepted by Seller in a written amendment to this Agreement. Acceptance of any such requested modification or cancellation shall be at Seller's discretion, and shall be upon such terms and conditions as Seller may require.

7. Special Tooling: A tooling charge may be imposed for any special tooling, including without limitations, dies, fixtures, molds and patterns, acquired to manufacture items sold pursuant to this contract. Such special tooling shall be and remain Seller's property notwithstanding payment of any charges by Buyer. In no event will Buyer acquire any interest in apparatus belonging to Seller which is utilized in the manufacture of the items sold hereunder, even if such apparatus has been specially converted or adapted for such manufacture and

notwithstanding any charges paid by Buyer. Unless otherwise agreed, Seller shall have the right to alter, discard or otherwise dispose of any special tooling or other property in its sole discretion at any time.

8. Buyer's Property: Any designs, tools, patterns, materials, drawings, confidential information or equipment furnished by Buyer, or any other items which become Buyer's property, may be considered obsolete and may be destroyed by Seller after two (2) consecutive years have elapsed without Buyer placing an order for the items which are manufactured using such property. Seller shall not be responsible for any loss or damage to such property while it is in Seller's possession or control.

9. Taxes: Unless otherwise indicated on the face hereof, all prices and charges are exclusive of excise, sales, use, property, occupational or like taxes which may be imposed by any taxing authority upon the manufacture, sale or delivery of the items sold hereunder. If any such taxes must be paid by Seller or if Seller is liable for the collection of such tax, the amount thereof shall be in addition to the amounts for the items sold. Buyer agrees to pay all such taxes or to reimburse Seller therefore upon receipt of its invoice. If Buyer claims exemption from any sales, use or other tax imposed by any taxing authority, Buyer shall save Seller harmless from and against any such tax, together with any interest or penalties thereon which may be assessed if the items are held to be taxable.

10. Indemnity For Infringement of Intellectual Property Rights: Seller shall have no liability for infringement of any patents, trademarks, copyrights, trade dress, trade secrets or similar rights except as provided in this Part 10. Seller will defend and indemnify Buyer against allegations of infringement of U.S. patents, U.S. trademarks, copyrights, trade dress and trade secrets (hereinafter "Intellectual Property Rights"). Seller will defend at its expense and will pay the cost of any settlement or damages awarded in an action brought against Buyer based on an allegation that an item sold pursuant to this contract infringes the Intellectual Property Rights of a third party. Seller's obligation to defend and indemnify Buyer is contingent on Buyer notifying Seller within ten (10) days after Buyer becomes aware of such allegations of infringement, and Seller having sole control over the defense of any allegations or actions including all negotiations for settlement or compromise. If an item sold hereunder is subject to a claim that it infringes the Intellectual Property Rights of a third party, Seller may, at its sole expense and option, procure for Buyer the right to continue using said item, replace or modify said item so as to make it noninfringing, or offer to accept return of said item and return the purchase price less a reasonable allowance for depreciation. Notwithstanding the foregoing, Seller shall have no liability for claims of infringement based on information provided by Buyer, or directed to items delivered hereunder for which the designs are specified in whole or part by Buyer, or infringements resulting from the modification, combination or use in a system of any item sold hereunder. The foregoing provisions of this Part 10 shall constitute Seller's sole and exclusive liability and Buyer's sole and exclusive remedy for infringement of Intellectual Property Rights.

If a claim is based on information provided by Buyer or if the design for an item delivered hereunder is specified in whole or in part by Buyer, Buyer shall defend and indemnify Seller for all costs, expenses or judgements resulting from any claim that such item infringes any patent, trademark, copyright, trade dress, trade secret or any similar right.

11. Force Majeure: Seller does not assume the risk of and shall not be liable for delay or failure to perform any of Seller's obligations by reason of circumstances beyond the reasonable control of Seller (hereinafter "Events of Force Majeure"). Events of Force Majeure shall include without limitation, accidents, acts of God, strikes or labor disputes, acts, laws, rules or regulations of any government or government agency, fires, floods, delays or failures in delivery of carriers or suppliers, shortages of materials and any other cause beyond Seller's control.

12. Entire Agreement/Governing Law: The terms and conditions set forth herein, together with any amendments, modifications and any different terms or conditions expressly accepted by Seller in writing, shall constitute the entire Agreement concerning the items sold, and there are no oral or other representations or agreements which pertain thereto. This Agreement shall be governed in all respects by the law of the State of Ohio. No actions arising out of sale of the items sold hereunder or this Agreement may be brought by either party more than two (2) years after the cause of action accrues.



Parker Hannifin Corporation

Pneumatic Division
8676 E. M89
P.O. Box 901
Richland, MI 49083 USA
Tel: (269) 629-5000
Fax: (269) 629-5385

Customer/Technical Service

Tel: (269) 629-5575
Fax: (269) 629-5385
Website: www.parker.com/pneumatic
E-mail: PDNMKTG@parker.com