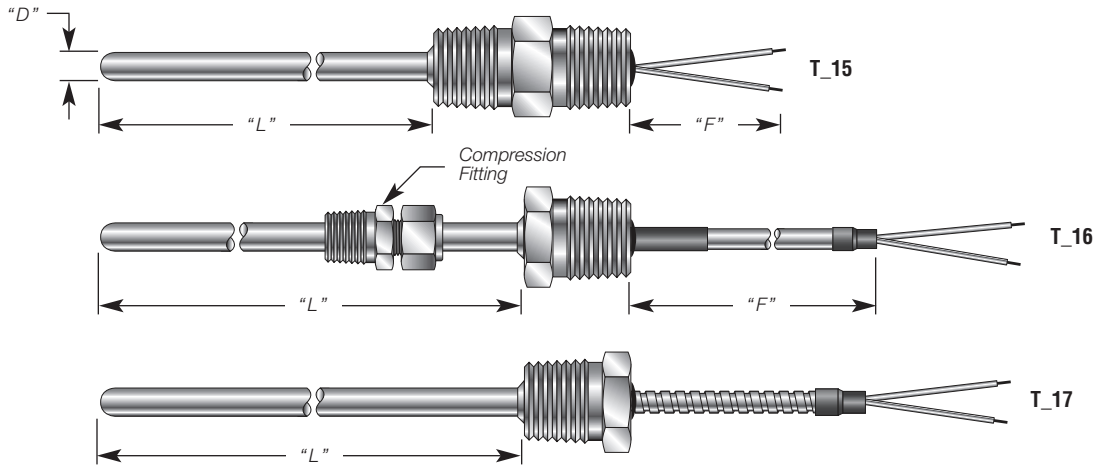


Thermocouple T15 Series

General Purpose Thermocouple with Welded Transition Fitting and Extension Cable



Custom Builder

MODEL 1 2 3 4 5 6 7 8

T _ _ _ - _ _ - _ _ _ - _ - _ _ _ - _ _ - _ _ _ - _ _ - _ _ _

MODEL CODE	ANSI Type	Thermocouple Type
J	J	Iron-Constantan
K	K	Chromel-Alumel
T	T	Copper-Constantan
E	E	Chromel-Constantan

BOX3 CODE	Probe Material
S	Stainless steel 316/316L
I	Inconel® 600

Other materials available. Consult factory.

BOX5 CODE	Lead Wire Insulation "F"		
	Each Cond.	Overall Jacket	Temp. Range
T	Teflon	Teflon	200°C (392°F)
TN	Teflon	None	260°C (500°F)
TM	Teflon	Alum. Mylar Drain Wire Teflon	200°C (392°F)
G	Glass	Glass	482°C (900°F)

Note : 1. For SS armor over extension cable, add "A" to code E.g.: **TA**
3. For SS overbraid over extension cable, add "S" to code E.g.: **TS**

BOX1 CODE	Junction Type	
1G	Grounded	
1U	Ungrounded	
1E	Exposed	

Note : For dual thermocouple change "1" to "2"

BOX4 CODE	Fitting Type
F18S	1/8" NPT
F14S	1/4" NPT
F38S	3/8" NPT
F12S	1/2" NPT
F34S	3/4" NPT
F44S	1" NPT

Note : For T16 order adjustable fitting separately if needed

BOX2 CODE	Probe Diameter "D"
062	1/16"
125	1/8"
187	3/16"
250	1/4"
312	5/16"
375	3/8"
500	1/2"

Other diameters available. Consult factory.

BOX6 CODE	Extension Cable Length "F"
---	In Inches Ex.: 060 = 60" long

Note : Extension wires 12" long and less are single stranded leads, 22 AWG

BOX7 CODE	Terminal Type
00	Bare leads, stripped

BOX8 CODE	Probe Length "L"
---	In 0.1" increments Ex.: 065 = 6.5" long