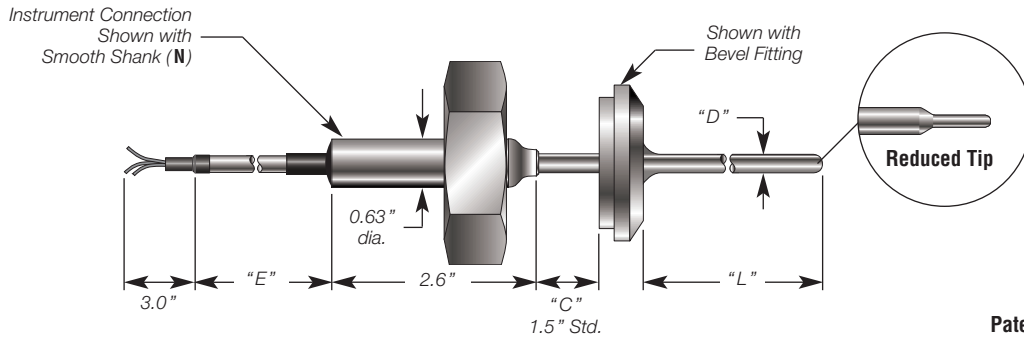


# MIST MS24

Sanitary Temperature Sensor  
w/Sanitary Fittings & Extension Cable



Patent No.: US 7,223,014  
CND 2,561,570

## Custom Builder

MODEL 1 2 3 4 5 6 7 8 9 10 11

MS24 -  -  -  -  -  -  -  -  -  -  -

BOX1 CODE	Calibrated Temperature Range
05	0°C to 50°C (32/122°F)
10	0°C to 100°C (32/212°F)
15	0°C to 150°C (32/302°F)
20	0°C to 200°C (32/392°F)
55	-50°C to 50°C (-58/122°F)
51	-50°C to 150°C (-58/302°F)
52	-50°C to 200°C (-58/392°F)
L*	-50°C to 200°C (-58/392°F)
H*	-200°C to 600°C (-328/1112°F)

\* Code **L** & **H** are not factory calibrated. Requires customer calibration using the **MIST PKIT**.

### Notes:

- MIST Temperature Sensors™ are factory calibrated at one point to an accuracy of ±0.12°@0°C or better. See MIST specs.
- For non-standard temperature ranges, indicate desired value in °C or °F in Box1 or see web site [www.intempco.com](http://www.intempco.com).
- Order **MIST PKIT** for sensor customization.

BOX2 CODE	Output
LP	4-20 mA loop, upscale burnout (std.)
LD	4-20 mA loop, downscale burnout
VA	0-5 Vdc, 3-wire
VB	1-5 Vdc, 3-wire
VD	0-10 Vdc, 3-wire

Other outputs available. Consult factory.

BOX3 CODE	Probe Diameter "D"	
D	1/4"	
F	3/8"	
H	1/2"	
CODE	Sheath O.D.	Tip O.D.
DB	1/4"	1/8"
FC	3/8"	3/16"
HC	1/2"	3/16"
HD	1/2"	1/4"
JD	5/8"	1/4"

Other diameters available. Consult factory.

BOX4 CODE	Probe Material
S	Stainless steel 316/316L

Other materials available. Consult factory.

BOX5 CODE	Probe Length "L"
---	In 0.1" increments Ex.: <b>065</b> = 6.5" long

BOX6 CODE	Extension Length "C"
N --	In 0.1" increments (1.5" Std.) Ex.: <b>N15</b> = 1.5" long

BOX7 CODE	Instrument Connection
N	None, smooth shank
SR	Strain Relief
EN	1/2" NPT male
EE	1/2" NPS male

Other connections available. Consult factory.

BOX8 CODE	Process Fitting Type/Size
A**	Cherry-Burrell (16A1-141), male std.
B**	Cherry-Burrell (16A1-141), female
C**	Bevel Seat (16A) with 13H nut
D**	Bevel Seat (16A) without nut
E**	Bevel Seat (16A) female
F**	John Perry (JP16A) with 13H nut
G**	John Perry (JP16A) without nut
**	10 = 1"    20 = 2"    30 = 3" 15 = 1.5"    25 = 2.5"

Codes from A to G are COP (Clean Out of Place)

Other fittings available. Consult factory.

BOX9 CODE	Extension Cable Type
PV	PVC insulation, 90°C (195°F) max.
TF	Teflon® insulation, 200°C (392°F) max.
TP	Teflon® with SS armor and polyolefin shrink, 90°C (195°F) max.
TT	Teflon® with SS armor and Teflon® shrink, 200°C (392°F) max.

**Note:** 1. Leads "E" length 12" and less are single conductor Teflon® insulation, 22 AWG

BOX10 CODE	Extension Cable Length "E"
---	In inches Ex.: <b>060</b> = 60" long

BOX11 CODE	Surface Finish
SF	32 μ-in (0.8 μm) Ra max. or better
F1	20 μ-in (0.5 μm) Ra max., w/o EP
F4	15 μ-in (0.4 μm) Ra max., with EP