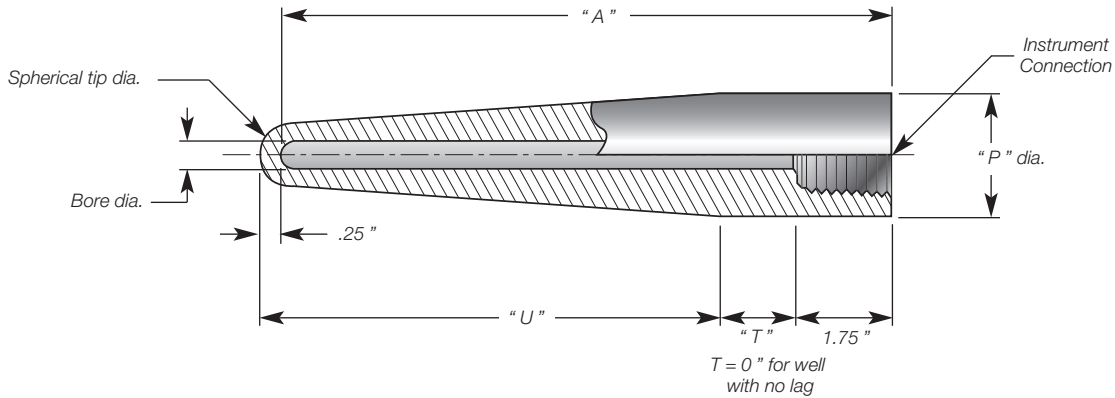


# TW890

Sanitary Thermowell, Weld-In-Place  
Tapered Stem, Heavy Duty, Machined from Bar Stock



## Custom Builder

MODEL    1    2    3    4    5    6    7    8    9

**TW890** -  -  -  -  -  -  -  -  -  -

BOX1 CODE	Thermowell Style
C	Tapered

BOX2 CODE	Bore Size / Stem	
	Bore Dia.	Spherical Tip Dia.
DW	0.260"	0.625"
FW	0.385"	0.750"
6W	0.245"	0.625"

Other sizes available. Consult factory.

BOX3 CODE	Thermowell Material
SA	Stainless steel 316 / 316L, dual certified
SD	Stainless steel 304 / 304L, dual certified
IA	Inconel 600
HA	Hastelloy C276

BOX4 CODE	Insertion Length "U"
025	2.5"
045	4.5"
060	6.0"
075	7.5"
090	9.0"
105	10.5"
120	12.0"
---	In 0.1" increments Ex.: 065 = 6.5" long

### Notes:

- $A = U + T + 1.5"$
- Standard insertion lengths are shown above. Specify non-standard lengths

BOX5 CODE	Lag Extension "T"
00	No lag extension (0"), std.
30	3" lag extension
---	In 0.1" increments Ex.: 30 = 3" long

BOX6 CODE	Welding Diameter "P"
A	1.050" dia. (3/4" pipe)
B	1.315" dia. (1" pipe)
C	1.900" dia. (1.5" pipe)
D	1.250" dia.
E	1.375" dia.
F	1.500" dia.

BOX7 CODE	Instrument Connection
ED	1/2" NPT female (std.)
FD	3/4" NPT female
PB	1"-20 Internal Thread
UB	1-1/4"-18 Internal Thread

BOX8 CODE	Surface Finish
SF	32 μ-in (0.8 μm) Ra max. or better
F1	20 μ-in (0.5 μm) Ra max. w / o EP
F4	15 μ-in (0.4 μm) Ra max. with EP

BOX9 CODE	Options
N	No Options
E1	Hydrostatic pressure test
E2	Dye penetrant testing
E3	X-Ray examination
E4	Well material certificates
E5	Murdoch strength calculations
Z2	Stainless steel plug with chain
Z3	Cleaned for oxygen service