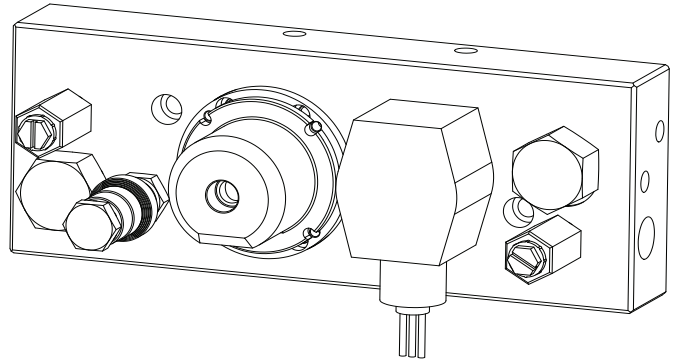


Technical Data

Brodie AddPak Additive Injection Block



General

Brodie's AddPak Chemical Injector offers a wide variety of service options. Due to its complete stainless steel construction and elastomer selection, it is suitable for use in numerous chemical and industrial applications. The Injector is machined from a solid piece of stainless steel bar stock which minimizes external leak points, and also incorporates an inlet machined basket strainer and an outlet check valve.

Installation

The Injector's slim footprint allows for easy installation with minimal space requirements. The AddPak Chemical Injector easily incorporates into numerous applications from PLC to TAS Systems used as a slave injector.

Oval Gear Meter

The Injector's oval gear meter design allows for wide chemical use in additives and marker applications. Due to product design, the oval gears are able to achieve a highly accurate measurement in single c/c units.

Mechanical

Available in 1-6 Pack Configuration
304 Stainless Steel Machined Block
Inlet & Outlet Isolation Valves
Calibration Port Valved with Dust Cap
Elastomers Wetted: Teflon or Teflon Encapsulated Material
Optional Elastomer Material: Kalrez or Chemrez Seals per Request
Flow Range .05 - 3 GPM
Oval Gear Meter K Factor ~4600 PPG
Process Connections 3/8" FNPT
Max WP 400 PSI

Electrical

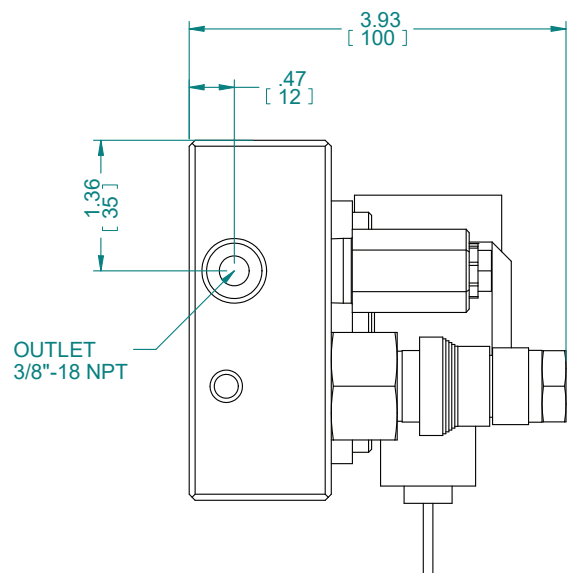
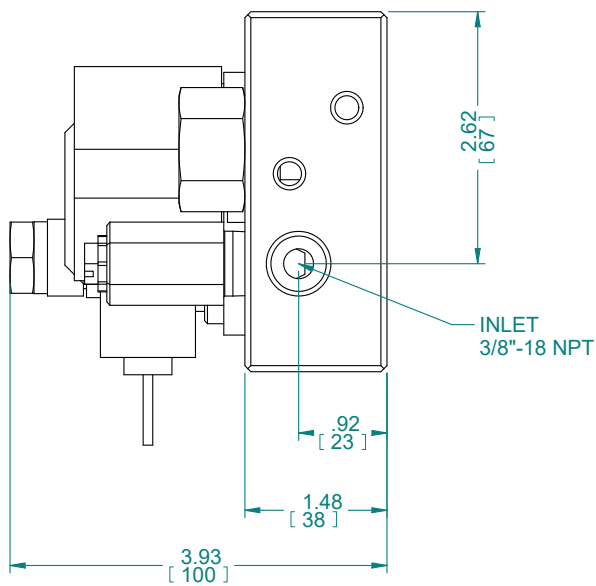
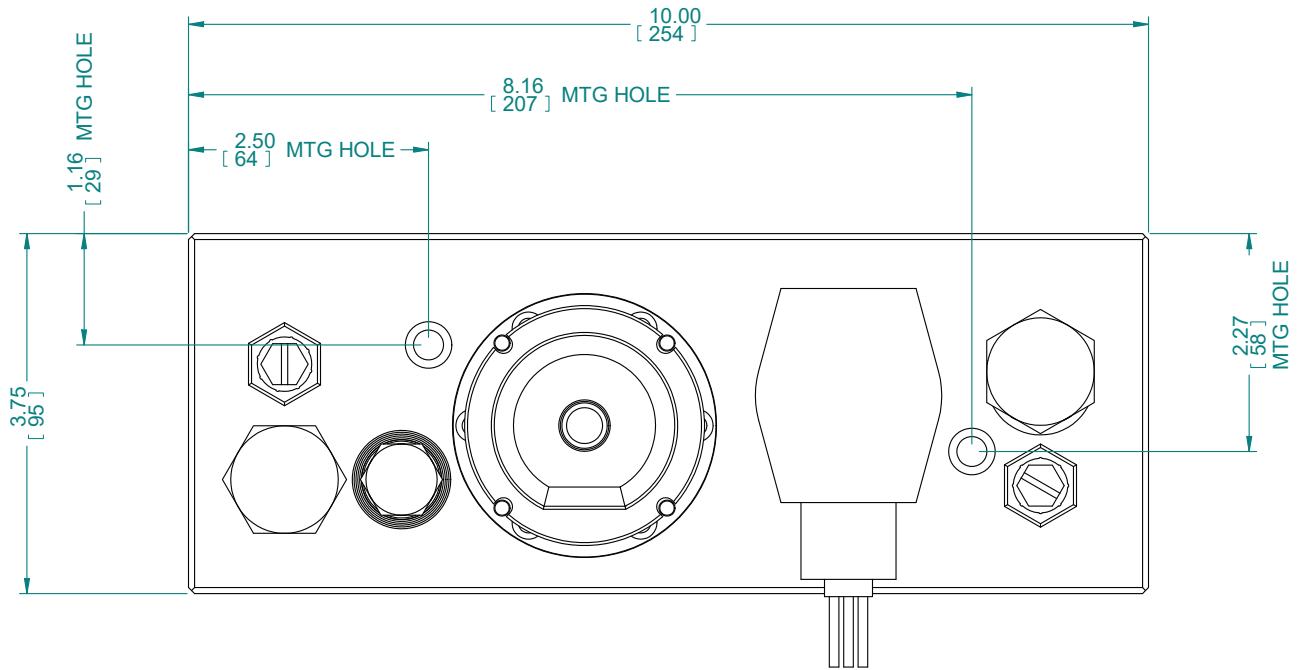
ASCO Explosion Proof Solenoid
120VAC 60HZ Standard, Other Voltage Available per Request
Oval Gear Meter Sensor 5 - 30 VDC, Supply Hall-Effect or Reed Switch
Open Collector High Speed
Suitable for Hazardous Area
FM Approvals for use in Class I, DIV I Areas
All Electrical Conduit Connections 1/2" FNPT

Model Code

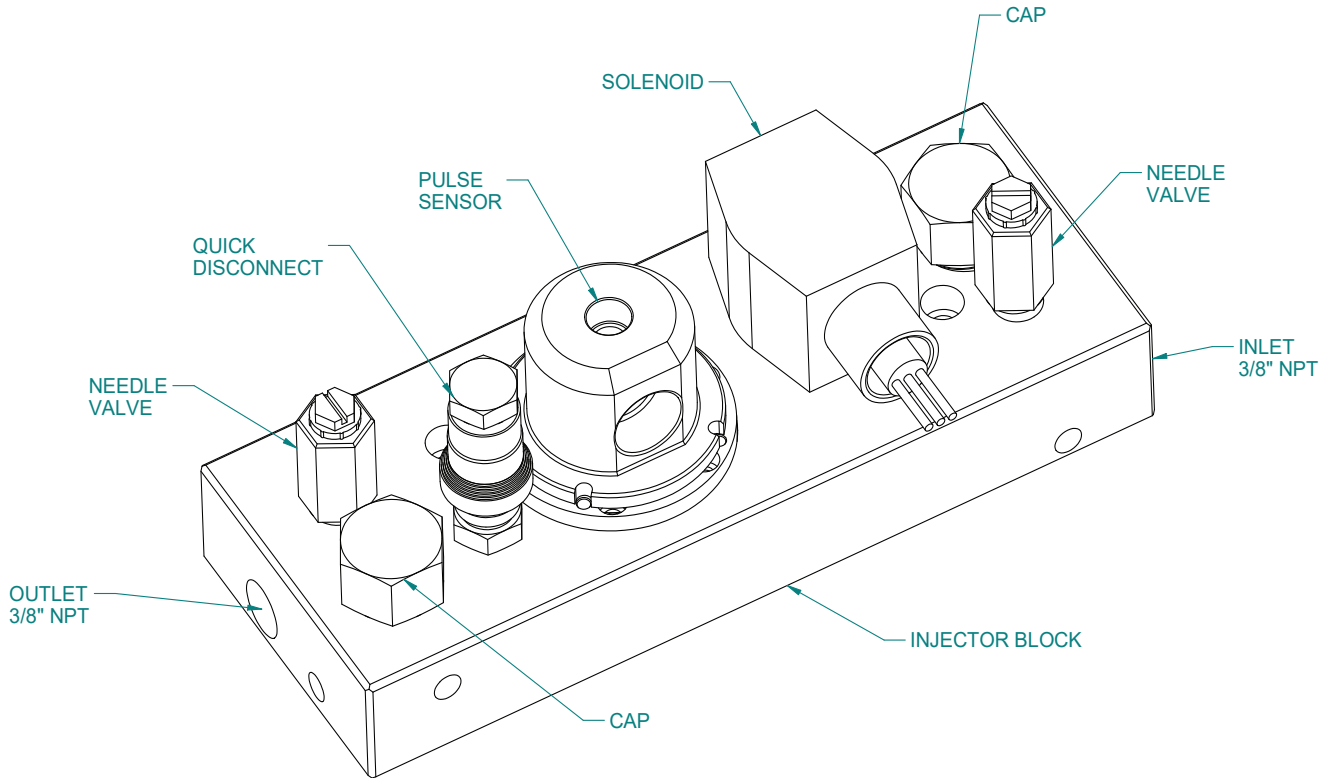
CODE BAB Brodie AddPak Additive Injection Block		
BAB		
CODE 9 Revision		
	A	
CODE M Mounting		
	0	Unmounted, Standard
	1	BAB Mounted on Panel
	2	BAB Mounted on Panel
	3	BAB Mounted on Panel
	4	BAB Mounted on Panel
	5	BAB Mounted on Panel
	6	BAB Mounted on Panel
CODE T Thermal Relief		
0	None, Standard	A
1	Thermal Relief (per block)	151070M (QTY 10)
Z	Thermal Relief (for multiple blocks)	154704-024M
CODE G Gear Material		
1	PPS (Ryton) 5000 PPG, Standard	A
2	SS. STL. ~5000 PPG (price added per block)	151070M (QTY 10)
Z	SS. STL. ~5000 PPG (for multiple blocks)	154704-024M
CODE V Solenoid Voltage		
1	120/60 VAC, 110/50 VAC	
2	240/60 VAC, 220/50 VAC	
CODE A Approvals		
1	FM	
CODE Injection Point Kits		
AB1200	Standard Injection Kit	
AB1300	Red Dye Injection Kit	
AB1500	Calibration Test Kit	

Dimensional Drawings

in. [mm]



Technical Configuration



For Optional Accessories Listed Below, Please Contact Factory:

Standard & Dye Injection Point Kits
Calibration Kits
Injector Thermal Relief Kits
Special Elasmers
Special Approvals

Brodie International

P.O. Box 450 (30459-0450)
19267 Highway 301 North
Statesboro, GA 30461
USA

Phone: +1 (912) 489-0200
Fax: +1 (912) 489-0294