

Technical Data

Aluminum BiRotor Meters

Model B40C-AL [1 1/2" - 2"]

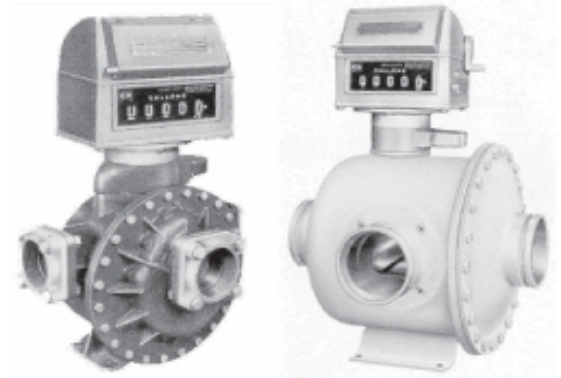
Model B60C-AL [3"]

Model B70C-AL [3" - 4"]

Model B73C-AL [3" - 4"]

Model B80C-AL [4" - 6"]

Model B83C-AL [4" - 6"]



General

The Brodie Aluminum BiRotor Meter is a positive displacement flowmeter designed for use in aircraft fueling, hydrant pits, fueler trucks or any application requiring meters of aluminum construction.

Accuracy

The Brodie Aluminum BiRotor Meter is attained by the unique BiRotor design which features two finely balanced rotors. An adjustor, incorporated on the meter, is calibrated at the factory for maximum accuracy within the meter's flow range.

Dependability

There is no metal to metal contact between the rotors and the measurement chamber. The meter is therefore extremely durable. The rotors, bearings and timing gears are the only moving parts. Maintenance requirements are the lowest in the industry. In addition, the materials incorporated within the meter assembly are selected specifically for the wide range of petroleum and industrial liquid applications.

Affordability

In spite of its superior performance, Brodie can offer the BiRotor at a very competitive price.

Design Features

- Double case design
- Extremely long service life
- Economical Low maintenance
- Two simple rotors with no metal-to-metal contact
- No oscillating, reciprocating or sliding parts or cranks to wear or disturb the balanced rotary action
- Sustained Accuracy
- Conforms with International standards of flowmeter accuracy

Capacity, Connections, and Approximate Shipping Weight

Model	Capacity				Maximum Safe Working Pressure		Connections	Approx. Shipping Weight	
	Continuous		Intermittent		psi	kPa		lbs.	kg.
	gpm	lpm	gpm	lpm					
B40C-AL	100	388	125	484	125	861	1-1/2" or 2" screwed connection	62	28
B60C-AL	250	968	300	1160	150	1034	3" screwed connection	65	29
B70C-AL	425	1645	550	2131	150	1034	3" or 4" victaulic, or 150 lb. ANSI flanges	150	68
B73C-AL	425	1645	550	2131	285	1966	3" or 4" 150 lb. ANSI flanges	165	75
B80C-AL	600	2325	800	3100	275	1896	4" or 6" victaulic, or 150 lb. ANSI flanges	290	132
B83C-AL	600	2325	800	3100	285	1966	4" or 6" 150 lb. ANSI flanges	335	152

Materials of Construction

Housing:

Model B40C-AL & B60C-AL: Aluminum
 Model B70C-AL, B73C-AL, B80C-AL, and B83C-AL:
 Nickel Plated Steel Outer Housing

Measuring Unit:

Rotors - Aluminum (Standard)
 Rotor Shafts - E.T.D. 150
 Rotor Bearings - Stainless Steel
 Body and End Covers - Aluminum

Counter Base Plate:

Body - Aluminum
 Drive Shafts, Drive Gears and Ball Bearings - Stainless Steel

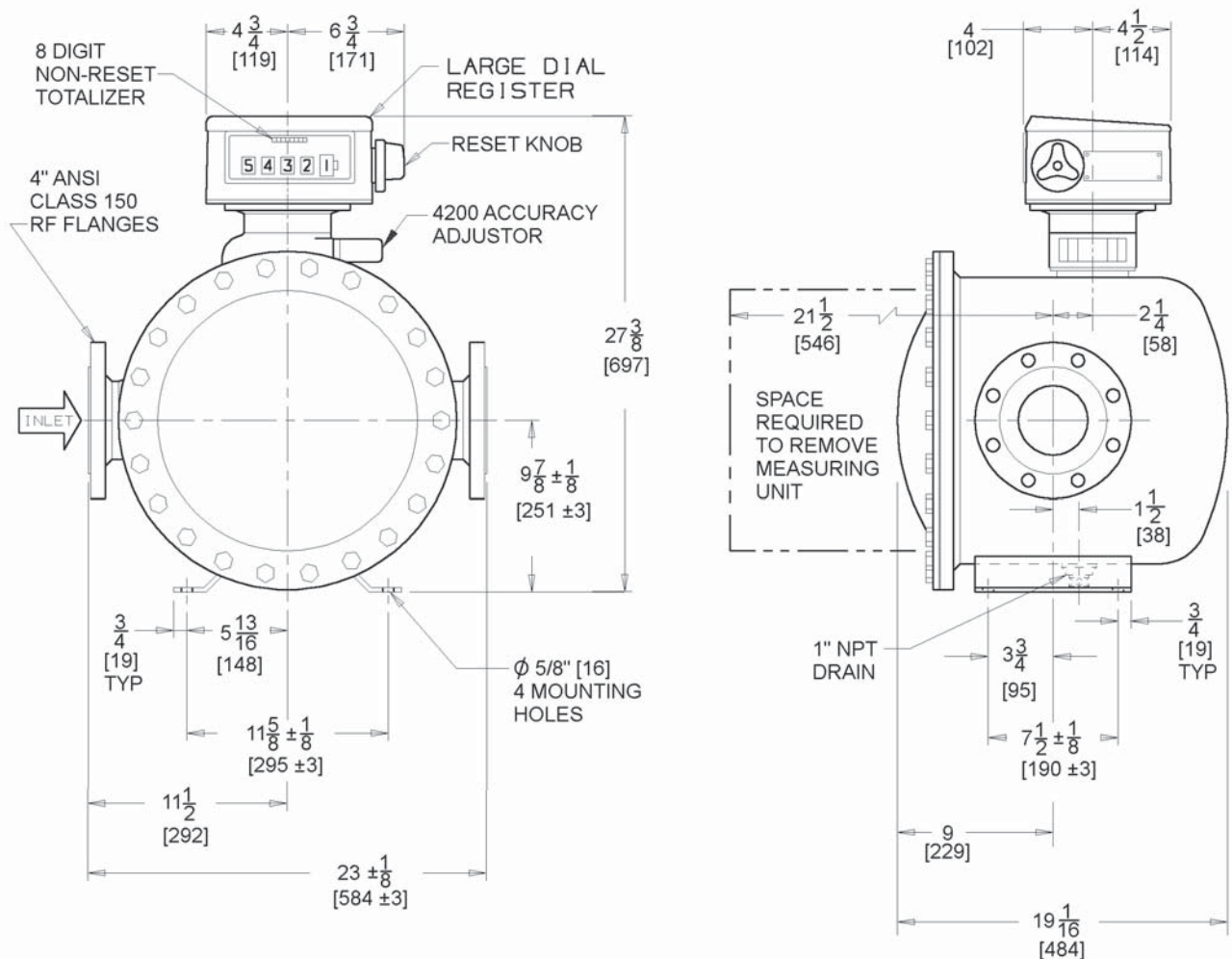
Specifications

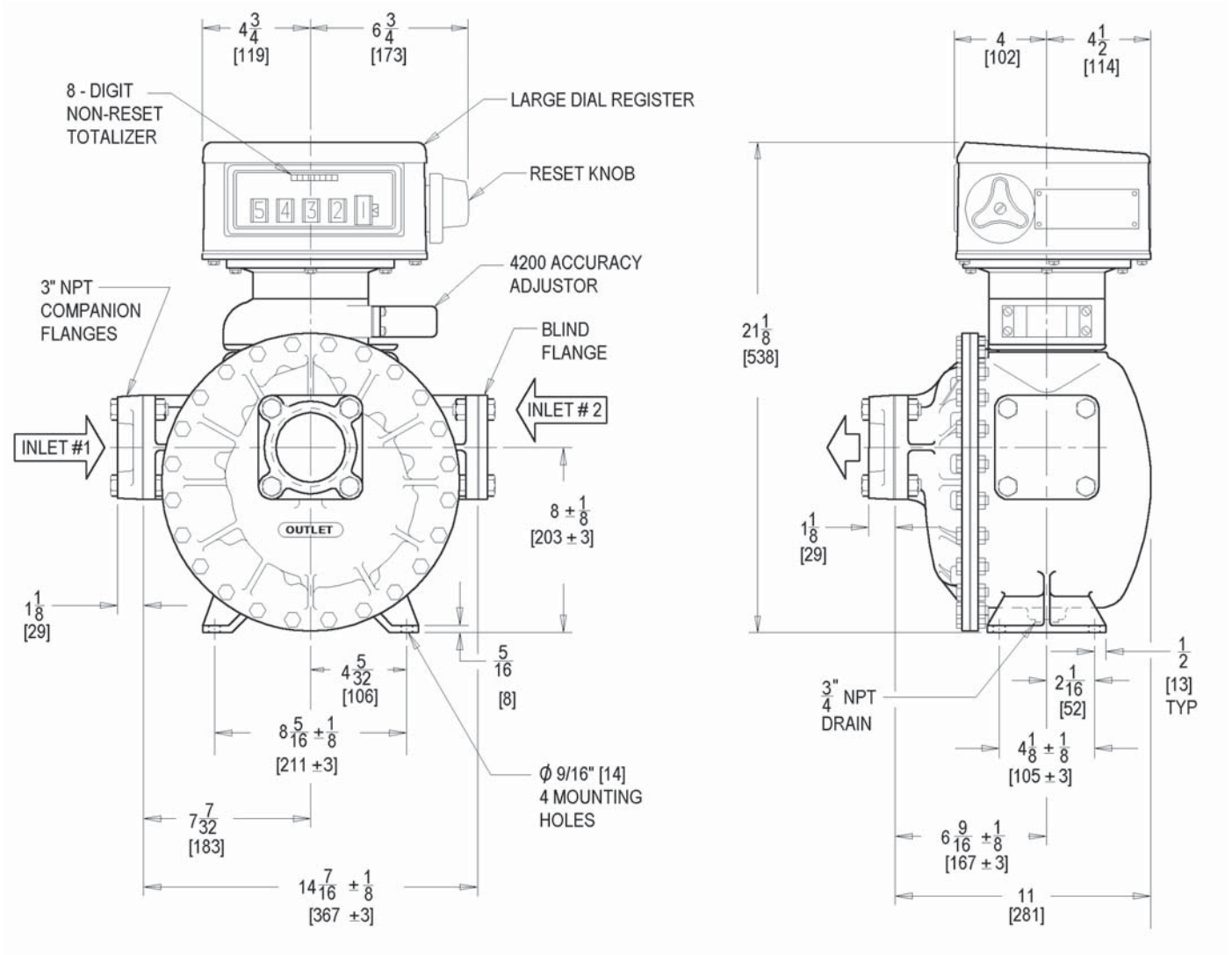
Maximum Safe Operating Temperature
 -20 to 150°F (-29 to 66°C)

Accuracy:

Capable of +/- 0.15%; Contact Factory for viscosity corrections.

Dimensions (For Certified Dimensional Prints - Consult Factory)





NOTE:

Do not operate this instrument in excess of the specifications listed. Failure to heed this warning could result in serious injury and/or damage to the equipment.

Brodie International

P.O. Box 450 (30459-0450)
 19267 Highway 301 North
 Statesboro, GA 30461
 USA

Phone: +1 (912) 489-0200
 Fax: +1 (912) 489-0294