

SOLENOID VALVE

Type S5A-DN (S5AE-DN)

Port Size 32-75mm (1¼"-3")
 FOR AMMONIA, R12, R22, R502
 AND OTHER COMMON REFRIGERANTS

FEATURES

- Standard Coil Housing Meets NEMA 3R and NEMA 4 - Rain Tight
- Coil Housing Surpasses NEMA Salt Spray Test
- Plunger-Needle Assembly Same for S4A, S5A, S6N, S6A, S8F
- Replaceable Piston Plug Assembly
- Molded Class "B" Coil Construction
- Pilot Light Available
- Stainless Steel Needle
- Manual Opening Stem
- Design Pressure (PS): 28 bar (406 PSIG)
- Complies with Pressure Equipment Directive 97/23/EC

Description

This heavy duty solenoid valve is suitable for Ammonia, R-12, R-22, and R-502, other refrigerants, certain oils and other fluids approved for use in refrigeration. The S5A is a pilot operated semi-steel bodied valve. The valve may be opened by means of the manual opening stem for servicing or in case of electrical power failure.

The Type S5A Solenoid Valve is furnished with FPT: Internal NPT (U.S. Standard Taper Pipe Thread), Socket Weld, Weld Neck or ODS (solders over copper tubing of given diameter) connections. The valve may be easily removed from between the flanges for servicing.

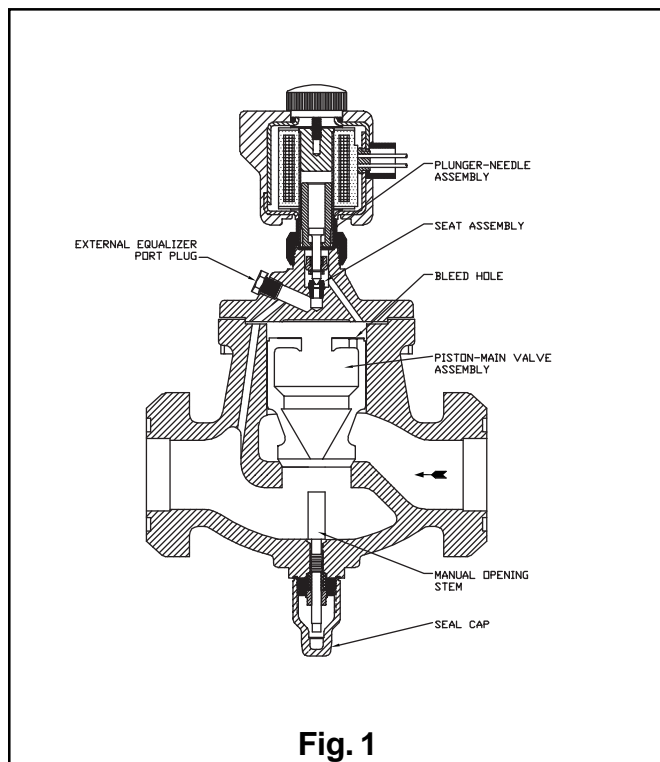


Fig. 1

BULLETIN DN30-93B

Type S5A-DN



January 2007

Installation and Service Information

It is advisable to install a strainer upstream of each valve to prevent entrance of foreign material into the valves and the rest of the system. Refrigerating Specialties strainers are available to close-couple to valve inlets.

Purpose

Type S5A is recommended for use in refrigerant liquid or suction lines. It is not recommended for hot gas lines and other applications where high pressure drops will exist when the valve is open.

Principles of Operation

The Type S5A is a pilot operated solenoid. Operation is as follows: The valve, in its closed position, with the solenoid coil de-energized and the plunger-needle in its seated position, is shown in Figure 1. Before the valve is opened, the pressure above the piston-main valve assembly is equalized through the bleed hole and is the same as the inlet pressure. Electrical energization of the solenoid coil forms a magnetic field, pulling up the plunger which strikes the needle, lifting it off its seat. This permits the refrigerant trapped above the piston-main valve assembly to flow through the pilot and through Port N to the downstream side of the valve. The pressure above the piston-main valve is reduced and the higher inlet pressure against the underside of the piston-main valve assembly forces it upward. This puts the valve in the open position permitting flow of the refrigerant. The minimum pressure drop to hold the valve wide open is 0.07 bar (1.0 PSI).

De-energization of the solenoid coil permits the spring-assisted needle to drop back into its seat, stopping the flow through the pilot port, and the pressure above and below the piston-main valve is equalized. The weight of the piston-main valve then causes it to drop to its seat, stopping the flow of the refrigerant. The pressure difference across the valve, acting upon the area of the valve seat, holds the piston-main valve in a tightly closed position.

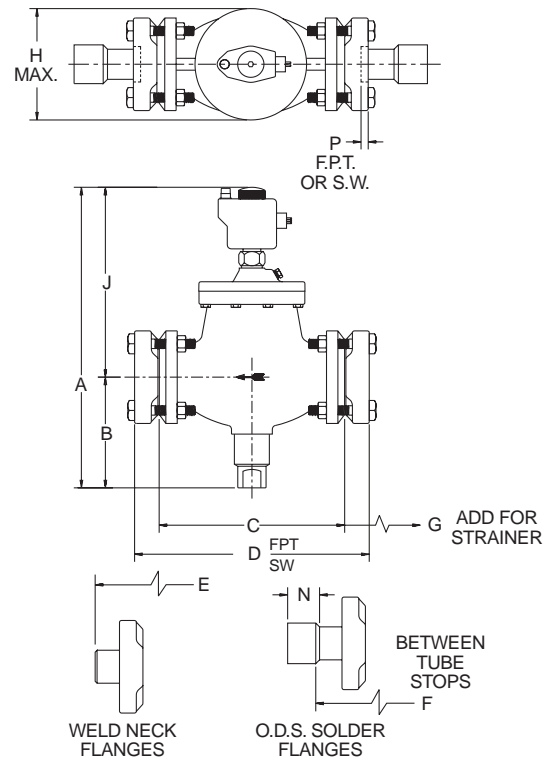
Manual Opening Stem (See Fig. 1)

The manual opening stem on the Type S5A is for the purpose of opening the valve without energizing the solenoid coil. For access to the stem the seal cap on the bottom of the valve must be removed. This must be done with caution as refrigerant may have been trapped inside the seal cap. Manual opening is accomplished by turning the stem clockwise until only the flats on the end of the stem protrude from the packing nut. To reset for automatic operation turn the stem counterclockwise as far as it goes.

S5A- DN		
PRESSURE BEARING COMPONENTS		
Size	COMPONENT DESCRIPTION	MATERIAL
1-1/4" TO 3"	BODY, 1-1/4 S5A DN	DUCTILE IRON GGG 40.3
32 mm TO 75 mm	SEAL CAP, A4A/S4A	#380 ASTM SC84B ALUMINUM
	ADAPTER, 1-1/4 S5A DN	DUCTILE IRON GGG 40.3
	SLEEVE, SOLENOID TUBE	AISI 1117 CRS BARSTOCK
	TUBE SOLENOID, S6	SS TUBING 304

DIMENSIONS

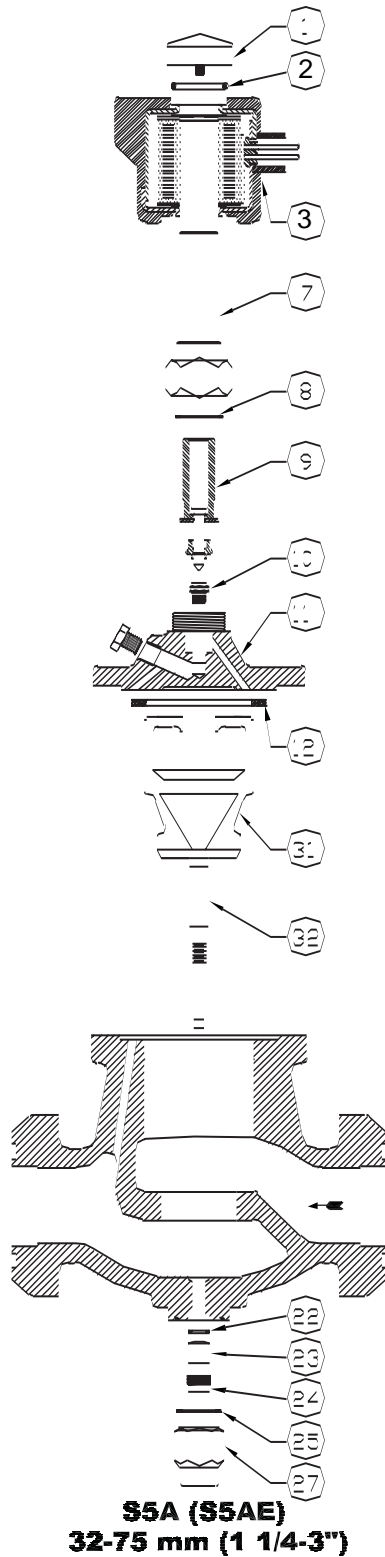
Dimension		PORT SIZE									
		32mm (1-1/4")		40 & 50mm (15/8 & 2")		65mm (2-1/2")		75mm (3")			
A	mm	348		411		437		511			
	inch	13.7		16.2		17.2		20.1			
B	mm	117		127		137		198			
	inch	4.6		5.0		5.4		7.8			
C	mm	203		251		251		311			
	inch	8.0		9.9		9.9		12.2			
D (FPT, SW)	mm	256		307		331		289			
	inch	10.1		12.1		13.0		15.3			
E (WN)	mm inch	1-1/4	1-1/2	1-1/2	2	401 15.8		478 18.8			
		300 11.8	304 12.0	364 14.3	371 14.6						
F (ODS)	mm inch	1-3/8	1-5/8	2-1/8	1-5/8	2-1/8	2-5/8	3-1/8	3-1/8	3-5/8	
		269 10.6	279 11.0	304 12.0	358 14.1	338 13.3	358 14.1	348 13.7	389 15.3	414 16.3	432 17.0
G	mm inch	178		251		314		314			
		7.0		9.9		12.4		12.4			
H	mm inch	117		140		159		176			
		4.6		5.5		6.2		7.0			
J	mm inch	231		284		300		312			
		9.1		11.2		11.8		12.3			
N (ODS)	mm inch	1-3/8	1-5/8	2-1/8	1-5/8	2-1/8	2-5/8	3-1/8	3-1/8	3-5/8	
		25 1.0	28 1.1	33 1.3	28 1.1	33 1.3	38 1.5	38 1.5	43 1.7	43 1.7	48 1.9
P (SW)	mm inch	1-1/4	1-1/2	1-1/2	2	25 1.0		29 1.1			
		15 0.6	15 0.6	15 0.6	15 0.6						



Allow 100mm (4") above valve for removal of coil housing assembly.
Allow 25mm (1") below valve to operate manual opening stem.

For replacement parts and prices, consult
**PARTS KITS LIST PRICE SCHEDULE INDUSTRIAL
 AND FLO-CON (PK)**

Item	Description
1	Knob
2	O-Ring
3	Coil Asm
7	Tube Assembly
8	Gasket
9	Plunge Needle Assembly
10	Seat Assembly
11	Adapter Assembly
12	Gasket
15	Bolt
22	Washer, Flat
23	Packing, Stem
24	Nut, Packing
25	Gasket
27	Seal Cap
28	Gasket
31	Piston Plug
32	Manual Opening Stem



Installation

Protect inside of valve from dirt, chips and moisture during installation. Mount only in horizontal pipe line with solenoid coil at the top; this valve will work properly only in this position. In a liquid line the Solenoid Valve should be near the expansion valve inlet. It is advisable to install the S5A close coupled companion strainer ahead of the valve for protection against dirt and chips.

The S5A solenoid valve must be installed with the arrow on the valve body in the direction of flow through the valve. If the valve is backwards, the flow will not be stopped when the valve is electrically de-energized. Like all Solenoid Valves, the S5A can stop flow only in the direction from normal inlet to normal outlet (as shown by the arrow on the body). If reversal of pressure occurs in the system so the outlet pressure exceeds the inlet pressure the piston will be blown away from its seat and reverse flow will occur. If a system has this type of pressure reversal (as encountered during hot gas defrost with liquid recirculation systems), a check valve such as Refrigerating Specialties Division Type CK4A in series with the solenoid valve will prevent flow reversal. (CK4A must be installed downstream to avoid trapping liquid.)

Electrical

The Refrigerating Specialties Division molded water resistant Class "B" solenoid coil is designed for long life and powerful opening force. The standard coil housing meets NEMA 3R and 4 requirements. This sealed construction can withstand direct contact with moisture and ice. The coil housing far exceeds the requirements of NEMA Standard ICS, 1-110.57 salt spray test for rust resistance.

By definition, Class "B" coil construction will permit coil temperatures, as measured by resistance method, as high as 130°C (266°F). Final coil temperatures are a function of both fluid and ambient temperatures. The higher fluid temperatures require lower ambient temperatures so the maximum coil temperature is not exceeded. Conversely, low fluid temperatures permit higher ambient temperatures.

The molded Class "B" coil is available from stock with most standard voltages. However, coils are available for other voltages and frequencies, as well as for direct current. Coils are also available as transformer type with a 6 volt secondary winding for use with the Refrigerating Specialties Division Pilot Light Assembly (see current copy of Bulletin 60-10, "Pilot Light Assembly and Solenoid Transformer Coil").

The solenoid coil must be connected to electrical lines with volts and Hertz same as stamped on coil. The supply circuits must be properly sized to give adequate voltage at the coil leads even when other electrical equipment is operating. The coil is designed to operate with line voltage from 85% to 110% of rated coil voltage. Operating with a line voltage above or below these limits may result in coil burnout. Also, operating with line voltage below the limit will definitely result in lowering the valve opening pressure differential. Power consumption during normal operation will be 33 watts or less.

Inrush and running current is listed below:

Standard Coil Volts/Hertz	Inrush Current (Amps)	Running Current (Amps)	Fuse Size (Amps)
120/60 (Blue leads)	1.18	0.46	1
208/60 (Blue & Red leads)	0.63	0.26	1
240/60 (Red leads)	0.60	0.23	1
440/60 (Yellow & Red leads)	0.39	0.13	1
115/50 (Yellow & Blue leads)	1.22	0.21	1
230/50 (Yellow leads)	0.65	0.26	1
Other	(Consult Factory)		

On transformer coil the 6 volt leads are always black.

Service Pointers

The S5A Solenoid Valve and Strainer are easily removable for cleaning or repairing. To remove valve and strainer, merely unscrew the flange bolts and spread the flanges slightly apart.

1. Failure to Open: (a) Coil is of incorrectly high voltage, See "Electrical." Check voltage printed on the coil. (b) Line voltage is abnormally low. See "Electrical." Check line voltage at coil leads with a voltmeter. (c) Failure to electrically energize. Check control circuit. (d) Pressure difference across valve is too high. The S5A will open against a maximum pressure difference across the valve of 20.7 Bar (300 psig). (e) Solenoid Coil is burned out. See "Electrical," and replace with proper coil. (f) Plunger/Needle Assembly is sticking. To disassemble the valve for inspection of internal parts (after pumping out the system as required): disconnect power source to #4

Solenoid Coil, remove #7 Tube Assembly, lift out #9 Plunger Assembly, then remove #11 Adapter Assembly and #31 piston plug. Remove every trace of dirt from the piston and cylinder using fine emery cloth to remove burrs if necessary. Thoroughly clean all parts and reassemble using a light film of refrigeration oil on the Piston.

2. Failure to Close: (a) Electrical control circuit is not opening properly. Check wiring and controls. (b) There are chips or dirt on the Pilot Seat or the Main Valve Seat, preventing proper seating. Disassemble and clean Valve as outlined in (1f) above. (c) Main Valve Seat, Pilot Seat, or Valve Needle may be worn or damaged and therefore leaking. Disassemble and clean Valve as outlined in (1f) above. If any of these parts need replacing, it is advisable to replace using the proper replacement kit. (d) #31 Piston is sticking. See (1f) above. (e) #32 Manual Opening Stem is turned all or partly in holding #31 Piston Plug Assembly open and permitting flow through the valve. (f) #5 Coil Housing Screw (made of non-magnetic stainless steel) has been replaced with a screw made of magnetic material and residual magnetism is holding #9 Plunger Needle Assembly in the open position. Consequently, the Main Valve is not closing. Replace with screw of correct material.

3. Leakage Through Valve: See (2) above.

4. Overheating: The Solenoid Coil is designed to operate hot and is constructed of high temperature materials accordingly. Unless troubled with actual Coil burnouts, high coil temperature should be ignored. Persistent burnouts indicate improper line or coil voltage. See (1e) above.

Warranty

All Refrigerating Specialties Products are warranted against defect in workmanship and materials for a period of one year from date of shipment from factory. This warranty is in force only when products are properly installed, field assembled, maintained and operated in use and service as specifically stated in Refrigerating Specialties Catalogs or Bulletins for normal refrigeration applications, unless otherwise approved in writing by Refrigerating Specialties Division. Defective products, or parts thereof, returned to the factory with transportation charges prepaid and found to be defective by factory inspection will be replaced or repaired at Refrigerating Specialties option, free of charge, F.O.B. factory. Warranty does not cover products which have been altered or repaired in the field, damaged in transit, or have suffered accidents, misuse, or abuse. Products disabled by dirt or other foreign substances will not be considered defective.

THE EXPRESS WARRANTY SET FORTH ABOVE CONSTITUTES THE ONLY WARRANTY APPLICABLE TO REFRIGERATING SPECIALTIES PRODUCTS, AND IS IN LIEU OF ALL OTHER WARRANTIES. EXPRESS OR IMPLIED, WRITTEN OR ORAL, INCLUDING ANY WARRANTY OF MERCHANTABILITY, OR FITNESS FOR A PARTICULAR PURPOSE. No employee, agent, dealer or other person is authorized to give any warranties on behalf of Refrigerating Specialties, nor to assume, for Refrigerating Specialties, any other liability in connection with any of its products.

Safe Operation

(see also Bulletin RSBCV)

People doing any work on a refrigeration system must be qualified and completely familiar with the system and the Refrigerating Specialties Division valves involved, or all other precautions will be meaningless. This includes reading and understanding pertinent Refrigerating Specialties Division Product Bulletins, and Safety Bulletin RSBCV prior to installation or servicing work.

Where cold refrigerant liquid lines are used, it is necessary that certain precautions be taken to avoid damage which could result from liquid expansion. Temperature increase in a piping section full of solid liquid will cause high pressure due to the expanding liquid which can possibly rupture a gasket, pipe or valve. All hand valves isolating such sections should be marked, warning against accidental closing, and must not be closed until the liquid is removed. Check valves must never be installed upstream of solenoid valves, or regulators with electric shut-off, nor should hand valves upstream of solenoid valves or downstream of check valves be closed until the liquid has been removed. It is advisable to properly install relief devices in any section where liquid expansion could take place.

Avoid all piping or control arrangements which might produce thermal or pressure shock.

For the protection of people and products, all refrigerant must be removed from the section to be worked on before a valve, strainer, or other device is opened or removed.

Flanges with ODS connections are not suitable for ammonia service.