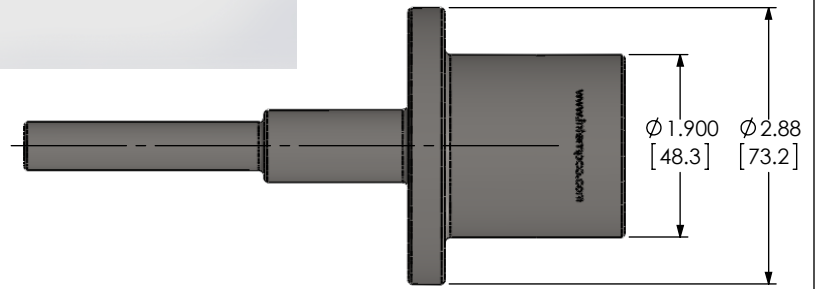
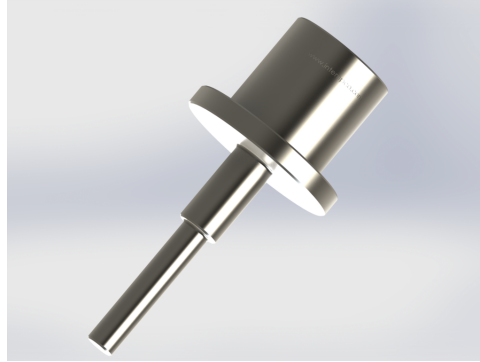


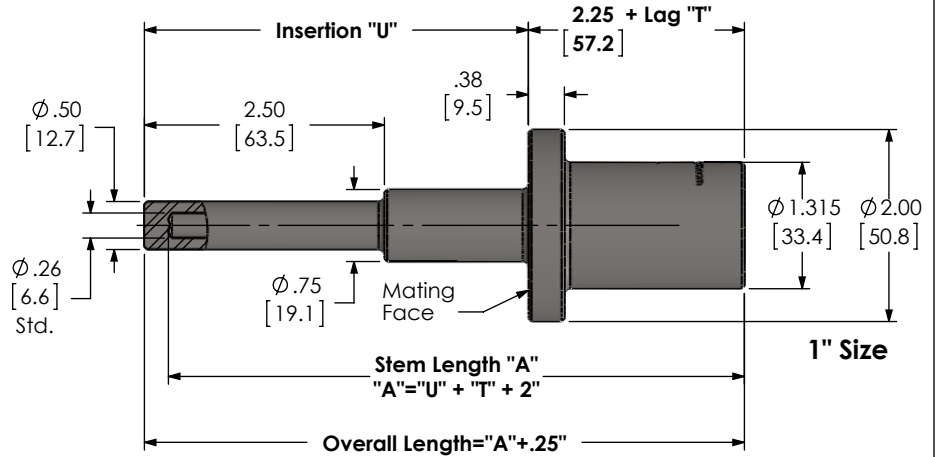
Custom Builder

Model 1 2 3 4 5 6 7 8 9
 TW501 - 0 - - - - - - - - - -

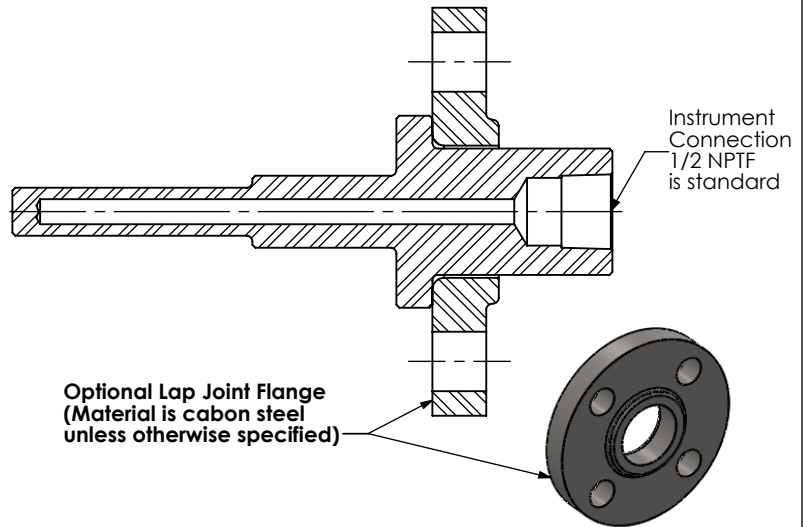
MODEL CODE	Thermowell Style				
TW501	Van Stone Stepped				
BOX1 CODE	Fixed Code				
0	Fixed Code				
BOX2 CODE	Bore Size / Stem				
D	0.260" Std. for 1/4" Dia. Probe				
6	0.245" for 6mm Dia. Probe				
-	For 3/8" Dia. Probe, Refer to Tapered or Straight models				
BOX3 CODE	Thermowell Material				
SA	Stainless steel 316 / 316L, dual certified				
SC	Stainless steel 304 / 304L, dual certified				
LA	Inconel® 600				
HA	Hastelloy® C276				
BOX4 CODE	Insertion Length "U"				
040	4.0"				
060	6.0"				
080	8.0"				
100	10.0"				
120	12.0"				
140	14.0"				
160	16.0"				
Custom	In 0.1" increments from 0.1" to 36.0" Ex.: 120=12.0" Insertion				
BOX5 CODE	Lag Extension "T"				
00	No lag extension (0"), std.				
10	1" lag extension				
20	2" lag extension				
Custom	In 0.1" increments from 0.1" to 12.0" Ex.: 15=1.5" long				
BOX6 CODE	With Optional Lap Joint Flange				
Pressure Class					
NPS Size (DN Size)	150	300	600	900	1500
1 (25)	A11	B11	C11	D11	E11
1½ (40)	A32	B32	C32	D32	E32
Fig. Matl. is Carbon St. unless otherwise specified					
BOX6 CODE	Without Flange				
1 (25)	011				
1½ (40)	032				
BOX7 CODE	Instrument Connection				
ED	1/2" NPT female (std.)				
EF	1/2" NPS female				
EG	G-1/2" (BSPP) female				
BOX8 CODE	Face Surface Finish				
R1	125-250 µ-in Ra (3.2-6.3 µm)				
SF	32µ-in (0.8µm) Ra max.				
BOX9 CODE	Options				
N	No Options				
E4	Well Material Certificate				
CR	Canadian Registration Number				
Z2	Stainless steel plug w ith chain				
E1	Internal hydrostatic				
E2	Liquid Dye penetrant testing				
E3	X-Ray examination				
Z3	Cleaned for oxygen service				
E5	Murdoch strength calculations				



1.5" Size



1" Size



Model TW501 Van Stone Stepped Barstock

Industrial Thermowells

Dimensions are in inches [mm]

THE INFORMATION CONTAINED IN THIS DRAWING IS THE SOLE PROPERTY OF INTEMPCO CONTROLS. ANY REPRODUCTION IN PART OR AS A WHOLE WITHOUT THE WRITTEN PERMISSION OF INTEMPCO CONTROLS IS PROHIBITED.

Doc. No. TW-CAT001

Revision: -
Revision Date: 2017-01-29

SHEET 19 OF 22