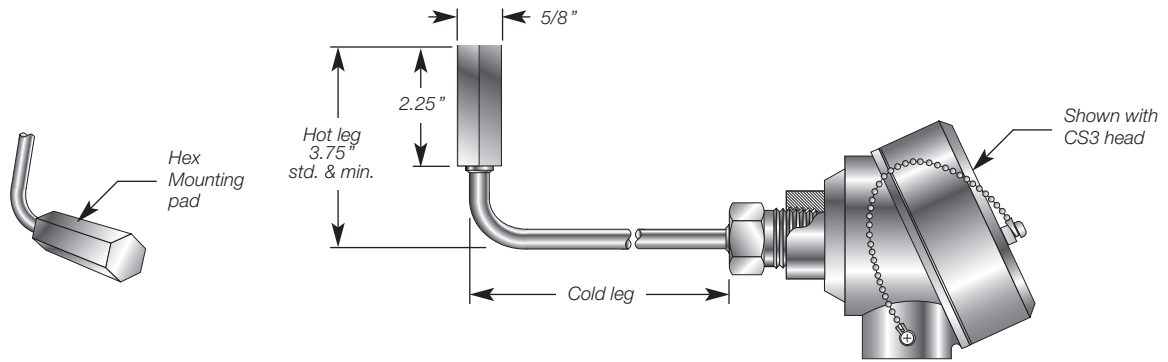


RTD RHT53

Heat Tracing Temperature Sensor
w/Hex Mounting Pad



Custom Builder

MODEL 1 2 3 4 5 6 7 8 9

RHT53 - - - - - - - - - -

BOX1 CODE	Temperature Range
L	Low temperature -50 to 200°C (-58/392°F)
M	Medium temperature -50 to 400°C (-58/752°F)
H	High temperature -200 to 600°C (-328/1112°F)

BOX5 CODE	Probe Diameter "D"
250	1/4"
312	5/16"
375	3/8"

BOX9 CODE	Head/Termination
0	No head, supplied with 6" single Teflon leads
WA*	Aluminum die cast screw cover, meets NEMA 4/IP65 requirements
PO*	White polypropylene screw cover, meets NEMA 4X/IP65 requirements

BOX2 CODE	Element Type
P	100Ω @ 0°C, α = 0.00385 DIN EN 60751
T	1000Ω @ 0°C, α = 0.00385 DIN EN 60751

BOX6 CODE	Probe Material
S	Stainless steel 316/316L

BA2	Bakelite screw cover, meets NEMA 4X/IP65 requirements
AM	Mini aluminum die cast screw cover 3/8" NPT conduit, meets NEMA 4X/IP65 requirements
AH*	Aluminum die cast flip cover, meets NEMA 4/IP65 requirements

Other elements available. Consult factory.

BOX7 CODE	Sheath Length	
	Hot Leg	Cold Leg
4040	4"	4"
4060	4"	6"
4080	4"	8"

Consult factory for other hot leg/cold leg combinations

EX*	Cast aluminum, explosion proof, CSA, FM Approval Class I, Div. 1, Gps. B,C & D Class II, Div. 1, Gps. E, F & G, NEMA 4X
CS*	Cast stainless steel 316 screw cover, meets NEMA 4X/IP66 requirements
CX*	Cast stainless steel, explosion proof, CSA, FM Approval Class I, Div. 1, Gps. B,C & D Class II, Div. 1, Gps. E, F & G, NEMA 4X

BOX2 CODE	Element Tolerance
1	±0.12% (±0.3°C) @ 0°C, Class B
2	±0.06% (±0.15°C) @ 0°C, Class A
3	±0.04% (±0.1°C) @ 0°C, Class AA

Other tolerances available. Consult factory.

BOX8 CODE	Hex Mounting Pads
X	Hex 5/8" AF, Stainless steel 316

*2 = 1/2" NPT Conduit *3 = 3/4" NPT Conduit

BOX4 CODE	RTD Circuit Type
S2	Single, 2 wire
S3	Single, 3 wire
S4	Single, 4 wire
D2	Dual, 2 wire
D3	Dual, 3 wire

Note : 1. Dual RTD's require 0.187 O.D. min.
2. S3 industry standard circuit
3. S4 circuit most accurate