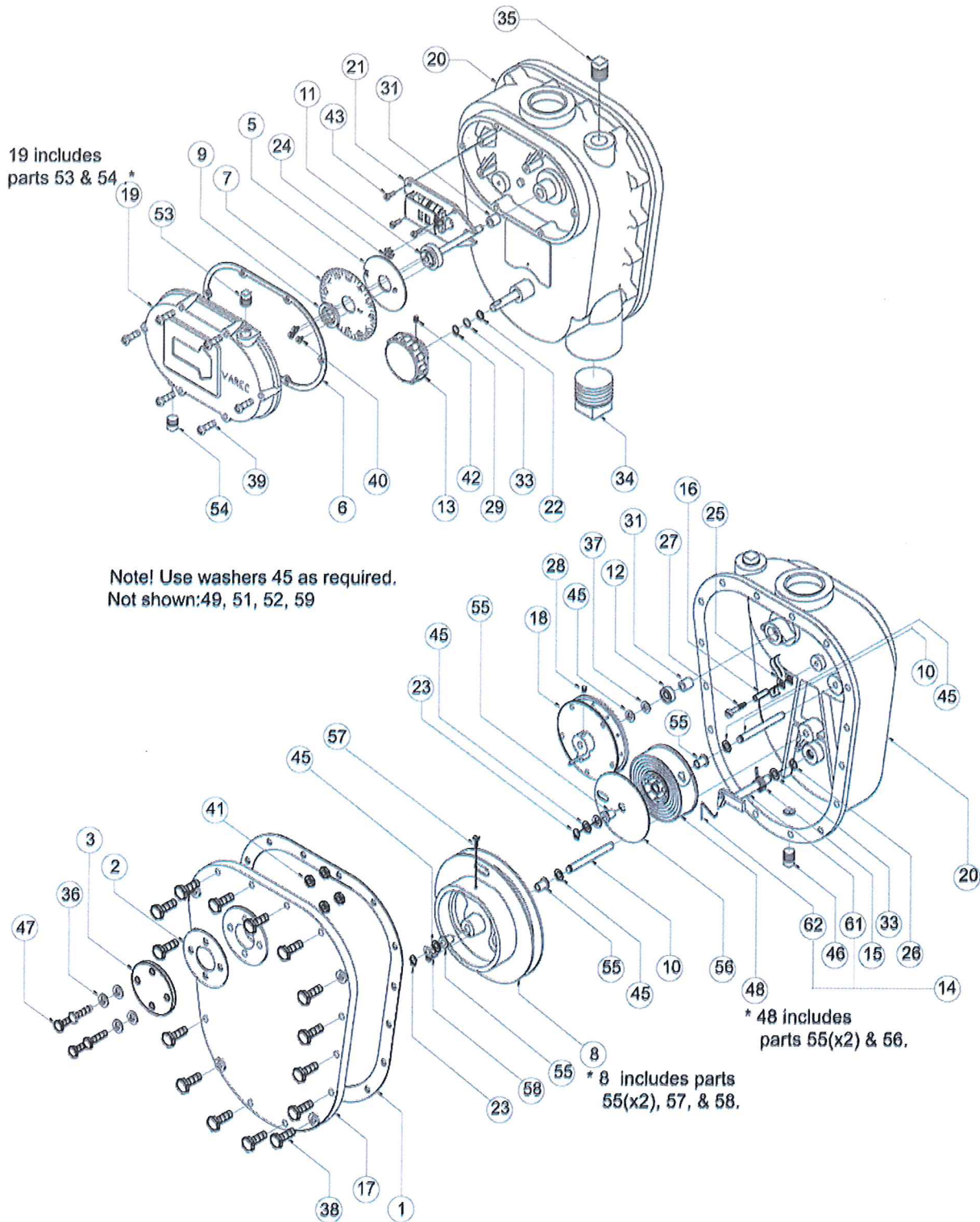


## 7.2. Spare Parts

Note! All parts originate in U.S. unless specified otherwise. For a complete list, see the "Spare Parts by Part Number" section.



Draw #	Part #	Product	Price
01	02-013127-046	Back Cover Gasket (Type C Gaugeheads)	\$24
01	02-04490-071	Back Cover Gasket (Type B Die-Cast Gaugeheads)	\$10
01	B4396-046	Back Cover Gasket (Type A, Low Press. Iron, Type B Sand-Cast Gaugeheads)	\$25
02	B5059-046	Back Cover Cap Gasket	\$5
03	B5060-001	Back Cover Cap	\$5
03	B5060-001-7	Back Cover Cap, Painted (Cast Iron Gaugehead)	\$71
04	B7415-093	Teflon Washer (Not shown)	\$2
05	B8235-040	English Dial Gear	\$22
05	B8327-040	Metric Dial Gear	\$20
06	02-013187-046	Counter Cover Gasket (Type A, B or C Gaugeheads)	\$10
06	B7720-071	Counter Cover Gasket-Fiber (Type A, B or C Gaugeheads)	\$10
07	B8218-001	English Dial Plate (Fractional or Decimal)	\$21
07	B8325-001	Metric Dial Plate (30 cm Graduations)	\$21
07	B9616-001	English Dial Plate (Fractional or Decimal) - Outage	\$35
08	BA7761	Tape Storage Sheave Assembly (Includes item 49x2, 55x2, 57, 58)	\$387
08	BB7761	Tape Storage Sheave Assembly (Includes item 49x2, 55x2, 57, 58) (Cast Iron Gaugehead)	\$673
09	B8234-001	Dial Retainer	\$10
10	B7693-005	Shaft (2) (Type B Gaugehead)	\$5
10	BA7763	Shaft Support Assy (2) (Type C & Cast Iron Gaugeheads)	\$22
11	BA17597	Counter Shaft/Hub Assembly	\$51
12	B10221-093	Seal	\$10
13	P34-4	Knob, Phenolic, Black, 3/8"	\$8
14	BA14055	Gauge Check Assembly (includes items 61 & 62)	\$61
15	B7796-005	Gauge Check Spring - 304 SS	\$5
16	B6547-005	Tape Keeper Post	\$5
17	02-04488	Back Cover	\$81
18	06-08558	Alum Sprocket Sheave Assembly - English	\$204
18	06-08559	Alum Sprocket Sheave Assembly - Metric	\$204
18	DB3197	Cast Iron Sprocket Sheave Assy - English (Cast Iron Gaugeheads)	\$627
18	DB3930	Cast Iron Sprocket Sheave Assy - Metric (Cast Iron Gaugeheads)	\$424
19	DA4044	Counter Cover Assembly (includes items 53 & 54)	\$81
19	DA4044-7	Counter Cover Assembly - Painted (includes items 53 & 54)	\$88
21	BM18849-100	English Counter Assembly	\$122
21	BM18850-100	Metric Counter Assembly	\$183
21	BM19954-100	English Counter Assembly - Outage	\$160
22	P14-146	O-Ring Seal-Viton (was P14-23)	\$5
23	P10-2	Retaining Ring, 5/16 SS	\$10
24	P25-16	Pinion Gear	\$6
25	B7300-005	Tape Keeper Spring	\$10
26	P14-23	O Ring Seal	\$2
27	P31-669	Binding Head Mach. Screw	\$2
28	P031-04-1697	Set Screw	\$2
29	P10-29	Grip Ring	\$2
31	P13-20	Bushing	\$3
33	02-08543	Washer	\$2
34	P030-04-822	1-1/2 NPT Plug	\$18
35	P030-04-838	3/4 NPT Plug (Type C Gaugeheads)	\$3
35	P30-237	1/2 NPT Top Plug (Type B Gaugeheads)	\$3
36	P031-32-1661	Washer	\$1
37	B4847-005	Washer	\$10
38	P031-05-1721	Hex Head Cap Screw (Type B Gaugeheads)	\$1

Draw #	Part #	Product	Price
39	P031-05-1871	Hex Head Cap Screw	\$5
40	P031-01-1719	Binding Head Mach. Screw	\$1
41	P31-247	Hex Jam Nut	\$1
42	P31-612	Hex Socket Set Screw , Cup Pt.	\$1
43	P031-08-1720	Self Tap Screw	\$1
44	P31-1	Washer	\$2
45	P31-13	Shim washer 562X.316/.313X.005SS	\$1
46	P030-04-802	3/8 NPT Bottom Drain Plug (Type B Gaugeheads)	\$1
47	P031-05-1601	Hex Head Cap Screw	\$2
48	BA17087	Negator Motor Sheave Assembly - Extended Range (includes items 55x2 & 56)	\$275
48	BA7762	Negator Motor Sheave Assembly (includes items 55x2 & 56)	\$163
48	BC7762	Negator Motor Sheave Assembly (Cast Iron Gaugeheads, includes items 55x2 & 56ci)	\$306
48	P1-26	Negator Motor Only - Extended Range	\$153
48	P1-5	Negator Motor Only	\$102
49	P031-11-1887	Hex Socket Cap Screws 1/4-20 X 1 18-8SS	\$1
50	06-10368	Negator Cassette	\$479
51	06-10364	Tape Storage Sheave Assembly - Cassette	\$306
52	06-10490	Handle (Crank)	\$55
53	P30-2361	Square Head Pipe Plug 1/4" NPT	\$1
54	B12759-003	Bottom Counter 1/4 NPT Drain Plug	\$3
55	02-09598	Bushing shoulder (PTFE) (replaces B7415-093 & B7416-093)	\$5
56	B13667-005	Motor Sheave Flange, SS (use with Cast Iron Gaugeheads)	\$22
56	B14872-101	Motor Sheave Flange, Al, (use with P1-5 & P1-22)	\$12
57	P31-671	Screw	\$1
59	BM3784	2500ATG Crank Assembly for BB7761	\$21
62	B7795-005	Hair Pin Spring (see item 14)	\$1
70	BE18440	Counter Gland Assy (Cast Iron Gaugeheads)	\$79