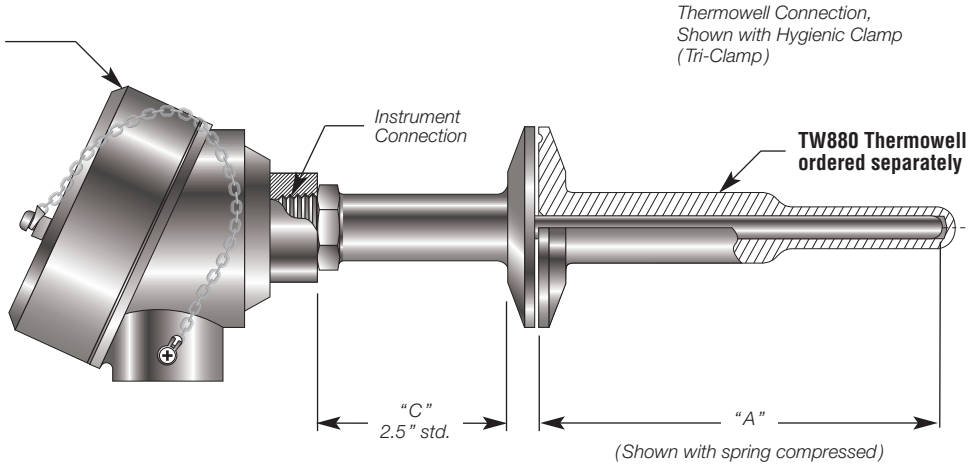


# RS89

Spring Loaded Sanitary RTD w/Connection Head & Hygienic Clamp Union Style - Quick Connect for Weld-In Thermowell



Shown with CS3 Head



Thermowell Connection, Shown with Hygienic Clamp (Tri-Clamp)

TW880 Thermowell ordered separately

"C"  
2.5" std.

"A"  
(Shown with spring compressed)

## Custom Builder

MODEL 1 2 3 4 5 6 7 8 9 10 11 12  
**RS89** - [ ] - [ ] - [ ] - [ ] - [ ] - [ ] - [ ] - [ ] - [ ] - [ ] - [ ] - **0**

BOX1 CODE	Temperature Range
L	Low Temp. -50 to 200°C
M	Med. Temp. -50 to 400°C

BOX5 CODE	Probe Diameter "D"
D	1/4"
6	6mm (0.236")

BOX10 CODE	Thermowell Connection Fitting Type / Size
T15	Hygienic clamp union, 1.5"
T20	Hygienic clamp union, 2"

BOX2 CODE	Element Type
P	100Ω @ 0°C, α = 0.00385 DIN EN 60751

BOX6 CODE	Probe Material
S	Stainless steel 316/316L

Other materials available. Consult factory.

BOX11 CODE	Head/Termination
0	No head, supplied with 6" single Teflon® leads

BOX3 CODE	Element Tolerance
1	±0.12% (±0.3°C) @ 0°C, Class B
2	±0.06% (±0.15°C) @ 0°C, Class A
3	±0.04% (±0.1°C) @ 0°C, Class AA

Other tolerances available. Consult factory.

BOX7 CODE	Probe Length "A"
---	In 0.1" increments Ex.: <b>065</b> = 6.5" long Ex.: <b>120</b> = 12" long

PO*	White polypropylene screw cover, meets NEMA 4X/IP65 requirements
BA2	Bakelite screw cover, meets NEMA 4X/IP65 requirements
SS2	Machined & polished stainless steel 316/316L screw cover, meets NEMA 4X/IP66 requirements

BOX4 CODE	Output RTD Circuit Type
S2	Single, 2 wire
S3	Single, 3 wire
S4	Single, 4 wire
D2	Dual, 2 wire
D3	Dual, 3 wire

BOX8 CODE	Extension Length "C"
N --	In 0.1" increments (2.5" Std.) Ex.: <b>N25</b> = 2.5" long

CS*	Cast stainless steel 316 screw cover, meets NEMA 4X/IP66 requirements
CX*	Cast stainless steel, explosion proof, CSA, FM Approval Class I, Div. 1, Gps. B, C & D Class II, Div. 1, Gps. E, F & G, NEMA 4X

BOX4 CODE	Output Transmitter Type (Installed)
TA	Model RT810, 4-20mA
TB	Model RT820, 4-20mA
TX	Other, specify model type

BOX9 CODE	Instrument Connection
EN	1/2" NPT male
EE*	1/2" NPS male

\* 2 = 1/2" NPT Conduit \* 3 = 3/4" NPT Conduit

\* Code **EE** is standard when ordering with a head.

Specify temp. range at the end of part number.  
 Ex.: RS89-L-P-2-TA...SF, (0/100 °C)  
 Model RT810 transmitter, range 0/100 °C