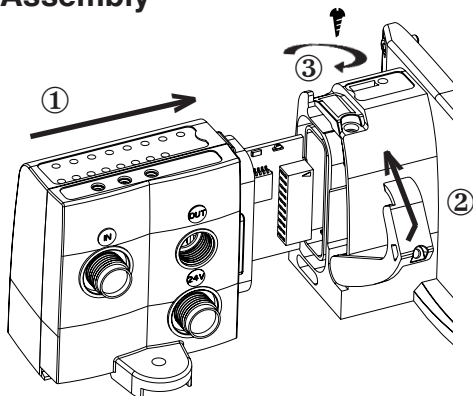
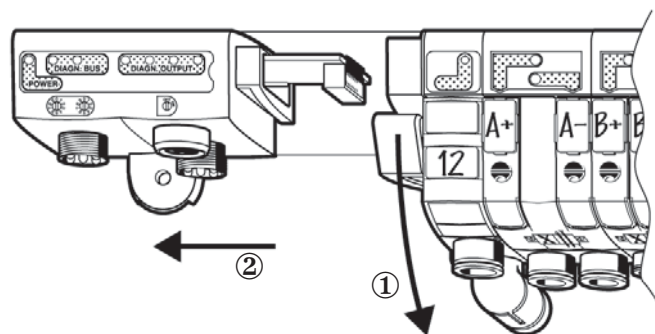


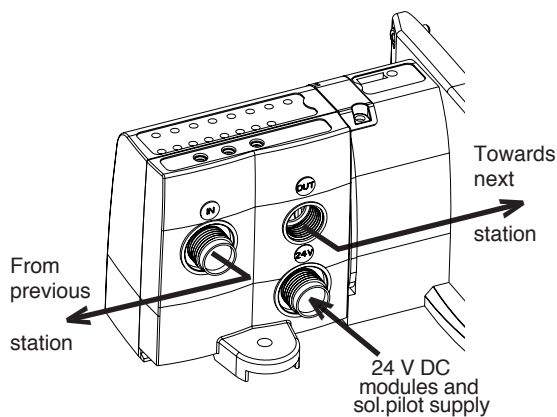
Assembly



Maintenance



Device bus connection



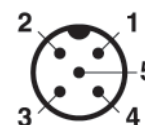
Power supply connector

(as seen on module)

pin OUT

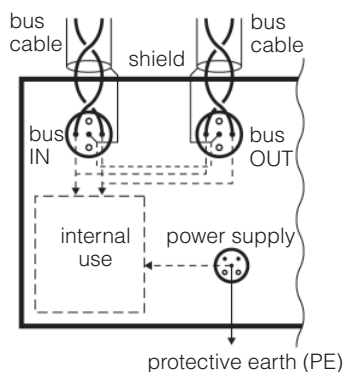
- 1 - 24 V DC module
- 2 - not connected
- 3 - 0 V DC module and solenoid
- 4 - 24 V DC solenoid
- 5 - protective earth (PE)

M12
type A



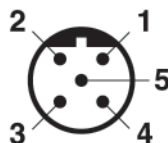
Bus cable connection

Bus cable protection shield connections



bus IN

(as seen on module)



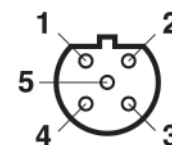
M12 male
B type

pin OUT

- 1 : + 5 V
- 2 : line A
- 3 : 0 V
- 4 : line B
- 5 : shields

bus OUT

(as seen on module)



M12 female
B type

Line termination :

Plug must be mounted on "bus OUT" of the last station
ref : P8BPA00MB

Specifications

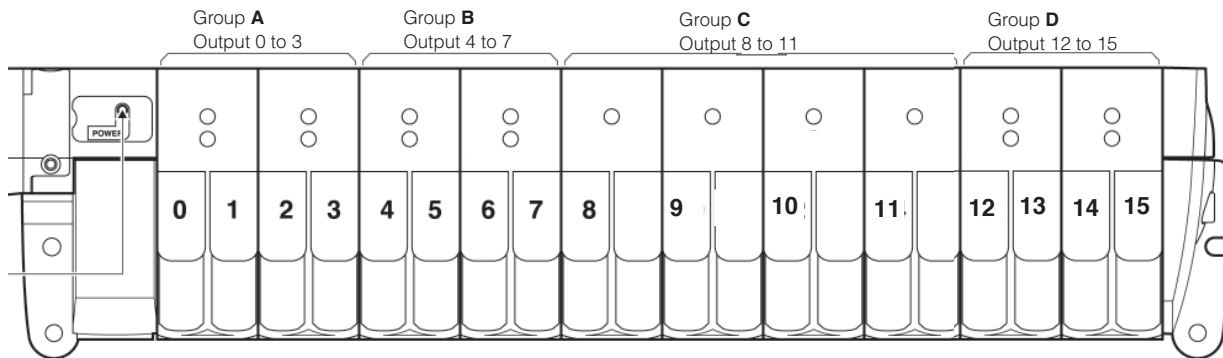
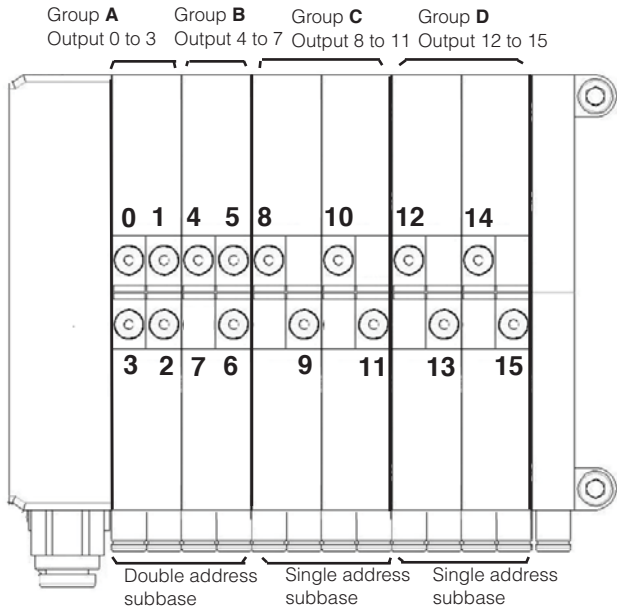
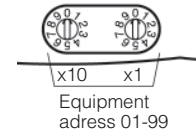
EMC / CE mark.	According to EN 61 000-6-2 and EN 61 000-6-4
Number of solenoids	16
Bus line	According to each bus specification
Module voltage	20 to 30 V DC
Solenoid pilot voltage	21,6 to 26,4 V DC
Module consumption	Max. 1,5 W
Outputs	Overload protection
Ext. output power	Max. 2,5 W



PSMMP . AP P2M2HBVP21600

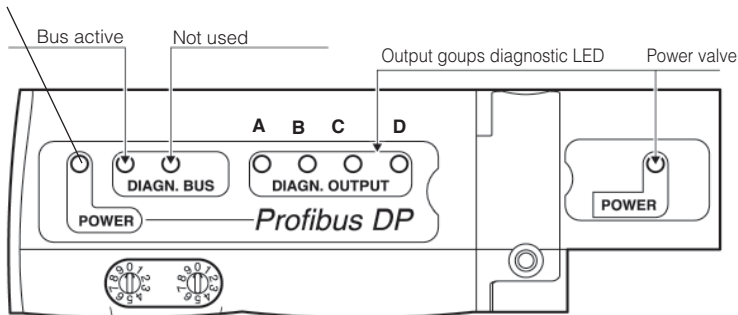
Addressing

Addressing :
Use the GSD file on Web site : www.parker.com/pneu/modulflex.
Rotary switches enable decimal address of module.



Diagnostic

Power Bus



Power valve	Description
Green	OK
Red	Short Circuit in one of the 16 outputs
OFF	Power supply missing

Power Bus	Description
Green	OK
OFF	- Power supply missing - Product failure

Bus active	Description
Green	Profibus OK
OFF	- Check wiring, addressing - Profibus master Stop

DIAG	A B C or D
OFF	OK
Red	Short circuit in one of 4 outputs in group