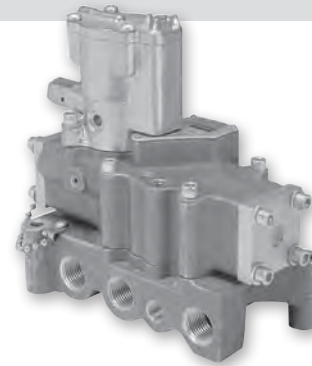


Valvair II Series

Features

- Full air operation for fastest response
- “Plug-In” option simplifies maintenance and installation
Reduces downtime. No wiring or plumbing to disturb
- “Direct pipe” design for economy and performance
- Variety of operators available; direct conduit, (JIC) junction box, NEMA 4, hazardous duty, (UL, CSA), and remote air pilot
- Field convertible to external pilot supply for vacuum or other services
- Synthetic rubber o-ring seals are specially compounded for minimum compression and friction for superior wear and abrasion resistance
- Precision ground spool “floats” on o-ring seals. Closed center cross-over design saves air
- General Purpose Approvals
 - CSA - Canadian Standards Association
File number 42024
- Hazardous Duty Approvals
 - UL - Underwriters Laboratories, Inc.
File number E42542 Category Y107
 - CSA - Canadian Standards Association
File number 24349



Operating information

Pressure range for solenoid operated valves

Media	Internal pilot supply			External pilot supply			
	1/4"	3/8"	1/2"	1/4"	3/8"	1/2"	1"
Air	35-140* PSIG			N.A.	Main 0-250 PSIG	Pilot 35-140* PSIG	
Vacuum	do not use			N.A.	Main within 1 Hg of perfect	Pilot 35-140* PSIG	

Other Consult supplier

* 200 PSIG solenoid is optional (consult supplier).

Pressure range for remote pilot operated valves

Media		Valve type	
		Single	Double & 3-position
Air	Main	35-250 PSIG	0-250 PSIG
	Pilot	35-200 PSIG	35-200 PSIG
Vacuum	Main	Do not use	Within 1" Hg of perfect
	Pilot	Do not use	35-200 PSIG

Other Consult supplier

Ambient temperature – standard service solenoid operator

Minimum	Maximum	
	Intermittent duty	Continuous duty
0°F	125°F	100°F

Special service (continuous duty) solenoid operator

0°F	125°F	125°F
-----	-------	-------

Ambient temperature – remote pilot operated valves

0°F	200°F
-----	-------

Material specifications

Manifolds & subbases	Aluminum alloy	
Other seals	Nitrile	
Resilient seals: in valve body		
Dynamic	Polyurethane base on 3/8" basic valves*	
Static / dynamic	Nitrile base w / 12% Molybdenum Disulphide on 1/4" & 1/2" basic valves	
Shock pads	Polyurethane	
Solenoid bodies	Plated zinc alloy	
Internal components	Corrosion resistant steel	
Resilient seals	Standard service	Nitrile
	Special service (continuous duty)	Fluorocarbon & Silicone
Other seals	Nitrile	
Coil	Class “B” epoxy encapsulated (Class “H” also available on some models, consult supplier)	
Valve bodies	Aluminum alloy	
Valve spacers	Brass	
Valve spool	Aluminum alloy with special coating on 3/8" basic valves*.	
	Hard chrome plated AISI type 416 stainless steel on 1/4" & 1/2" basic valves.	

* These materials are specially designed for valves used on non-lubricated service

As the above chart indicates, Standard Duty Solenoids may be used on continuous duty but ambient temperature is de-rated.
 In some cases, Special Service Solenoids may be rated for higher ambient temperatures (consult supplier).





Caution:



If it is possible that the ambient temperature may fall below freezing, the medium must be moisture free to prevent internal damage and unpredictable behavior.

 Most popular.




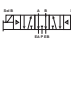
4-way, 5-port, 2-position, Plug-in

L675 (3/8" basic valve) Single solenoid	L655 (3/8" basic valve) Double solenoid	Nominal Cv	Port size (NPT)	Subbase (Side ports)	Manifold† (End & bottom ports)	Voltage	Valve only						
							Single solenoid	Double solenoid					
		4.8	3/8"	K022090	K142230	120V 60Hz	L6753910253	L6553910253					
							4.8	1/2"	K022091	K142231	110V 50Hz	L6753910253	L6553910253
							4.8	3/4"	K022101	K142270	24VDC	L6753310249	L6553310249



L675 (1" basic valve) Single solenoid	L655 (1" basic valve) Double solenoid	Nominal Cv	Port size (NPT)	Subbase (Side ports)	Manifold† (End & bottom ports)	Voltage	Valve only						
							Single solenoid	Double solenoid					
		11.3	1"	K022095	K142230	120V 60Hz	L6758910253	L6558910253					
							11.3	1"	K022095	K142231	110V 50Hz	L6758910253	L6558910253
							11.3	1"	K022095	K142270	24VDC	L6758310249	L6558310249

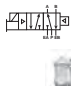

4-way, 5-port, 3-position, Plug-in

L665 (3/8" basic valve) Double solenoid	Nominal Cv	Port size (NPT)	Subbase (side ports)	Manifold † (end & bottom ports)	Voltage	Valve only						
						Double solenoid						
	4.8	3/8"	K022090	K142230	120V 60Hz	L6653921153						
						4.8	1/2"	K022091	K142231	110V 50Hz	L6653921153	
						4.8	3/4"	K022101	K142270	24VDC	L6653321149	



L665 (1" basic valve) Double solenoid	Nominal Cv	Port size (NPT)	Subbase (side ports)	Manifold (end & bottom ports)	Voltage	Valve only						
						Double solenoid						
	11.3	1"	K022095	K142230	120V 60Hz	L6658921153						
						11.3	1"	K022095	K142231	110V 50Hz	L6658921153	
						11.3	1"	K022095	K142270	24VDC	L6658321149	

4-way, 5-port, 2-position, Direct Pipe Ported

L705 (3/8" basic valve) single solenoid	L685 (3/8" basic valve) double solenoid	Port size (NPT)		Nominal Cv	Voltage	Operator type	Valve	
		P, A & B	EA & EB				Single solenoid	Double solenoid
		3/8"	1/2"	4.8	120V 60Hz	Junction box	L7053910253	L6853910253
							L7054910253	L6854910253
		3/8"	1/2"	4.8	24VDC	Junction box	L7053610249	L6853610249
							L7054610249	L6854610249
		3/8"	1/2"	4.8	120V 60Hz	Basic	L7053310253	L6853310253
							L7054310253	L6854310253
L7054310253	L6854310253							

L705 (1" basic valve) single solenoid	L685 (1" basic valve) double solenoid	Port size (NPT)		Nominal Cv	Voltage	Operator type	Valve	
		P, A & B	EA & EB				Single solenoid	Double solenoid
		1"	1-1/4"	12.0	120V 60Hz	Junction box	L7058910253	L6858910253
							L7059910253	L6859910253
		1"	1-1/4"	12.0	24VDC	Junction box	L7058610249	L6858610249
							L7059610249	L6859610249

4-way, 5-port, 3-position, Direct Pipe Ported

L695 (3/8" basic valve) double solenoid	L695 (1" basic valve) double solenoid	Port size (NPT)		Nominal Cv	Voltage	Operator type	Valve	
		P, A & B	EA & EB				3/8" basic size	1" basic size
		3/8"	1/2"	4.5	120V 60Hz	Junction box	L6953921153	—
							L6954921153	—
		1"	1-1/4"	12.0	110V 50Hz	Junction box	—	L6958921153
							—	L6959921153

† Manifolds include mounting hardware, except for port adapters.



Modulflex
Series

Isys Micro
Series

Isys ISO
Series

Fieldbus

DX ISOMAX
Series

Valvair II
Series

D

Subbase & Manifold
Valve Products

Lubricated Non-Lubricated Service
2-position, Plug-In, 3/8" & 1" Basic Size

- Modulflex Series
- Isys Micro Series
- Isys ISO Series
- Fieldbus
- DX ISOMAX Series
- Valvair II Series
- D** Subbase & Manifold Valve Products

L 67 5 3 9 10 2 53

Type	
Double	65
Single	67

Operator	
Remote	4
Solenoid	5

Size	
3/8" Basic	3
1" Basic	8

Operator options	
Solenoid (basic) or remote	1
Solenoid with locking override	3
Solenoid w/light (120VAC, 24VDC) & non-locking override	8
Solenoid w/light (120VAC, 24VDC) & locking override	9

Voltage & frequency			
	60Hz	50Hz	DC
45			12
49			24
53	120	110	
57	240	220	

Duty Cycle	
2	Standard service, solenoid or remote
4	Continuous service solenoid

Enclosure "Class"	
10	Standard (NEMA 1 & 12) or remote

Lubricated or Non-Lubricated Service
3-position, Plug-In, 3/8" & 1" Basic Size

L 66 5 3 9 21 1 53

Type	
Double	66

Operator	
Remote	4
Solenoid	5

Size	
3/8" Basic	3
1" Basic	8

Operator options	
Solenoid (basic) or remote	1
Solenoid with locking override	3
Solenoid w/light (120VAC, 24VDC) & non-locking override	8
Solenoid w/light (120VAC, 24VDC) & locking override	9

Voltage & frequency			
	60Hz	50Hz	DC
45			12
49			24
53	120	110	
57	240	220	

Duty cycle	
1	Standard service, solenoid or remote
5	Continuous service solenoid

Enclosure "class"	
21	All ports blocked in neutral (NEMA 1 & 12 enclosure) or remote
22	Cyl. Ports open to exhaust in neutral (NEMA 1 & 12 enclosure) or remote
23	Cyl. Ports open to inlet in neutral (NEMA 1 & 12 enclosure) or remote

Lubricated or Non-Lubricated Service
2-position, Direct Pipe Ported, 3/8" & 1" Basic Size

L	70	5	3	9	10	2	53	—
----------	-----------	----------	----------	----------	-----------	----------	-----------	----------

Type	
Double	68
Single	70

Operator	
Remote	4
Solenoid	5

Size	
3/8" NPT inlet & cylinder 1/2" NPT exhaust	3
1/2" NPT inlet, cylinder & exhaust	4
1" NPT inlet & cylinder 1-1/4" NPT exhaust	8
1-1/4" NPT inlet cylinder & exhaust	9*

* Not available operator option 4 - Remote pilot.

Operator options	
Solenoid (basic) or remote	1
Solenoid with locking override	3
Solenoid w/ junction box & locking override	6
Solenoid w/ junction box & light (120VAC, 24VDC) & non-locking override	8
Solenoid w/ junction box & light (120VAC, 24VDC) & locking override	9

Lead length	
Blank	19" (Standard)

Voltage & frequency			
	60Hz	50Hz	DC
45			12
49			24
53	120	110	
57	240	220	

Duty cycle	
2	Standard service, solenoid or remote
4	Continuous service solenoid

Enclosure "Class"	
10	Standard (NEMA 1 & 12) or remote
60*†	Hazardous duty (NEMA 7 & 9)
80*†	NEMA 4

* Voltage 49 / 53 only.
 † Use with operator options 1, 2 & 3 only, voltage 53 only.

Lubricated or Non-Lubricated Service
3-position, Direct Pipe Ported, 3/8" & 1" Basic Size

L	69	5	3	9	21	1	53	—
----------	-----------	----------	----------	----------	-----------	----------	-----------	----------

Type	
Double	69

Operator	
Remote	4
Solenoid	5

Size	
3/8" NPT inlet & cylinder 1/2" NPT exhaust	3
1/2" NPT inlet, cylinder & exhaust	4
1" NPT inlet & cylinder 1-1/4" NPT exhaust	8
1-1/4" NPT inlet cylinder & exhaust	9*

* Not available operator option 4 - Remote pilot.

Operator options	
Solenoid (basic) or remote	1
Solenoid with locking override	3
Solenoid w/ junction box & locking override	6
Solenoid w/ junction box & light (120VAC, 24VDC) & non-locking override	8
Solenoid w/ junction box & light (120VAC, 24VDC) & locking override	9

Lead length	
Blank	19" (Standard)

Voltage & frequency			
	60Hz	50Hz	DC
45			12
49			24
53	120	110	
57	240	220	


Duty cycle	
1	Standard service, solenoid or remote
5	Continuous service solenoid

Enclosure "Class"	
All ports blocked in neutral	
21	Standard (NEMA 1 & 12) or remote
71*†	Hazardous duty (NEMA 7 & 9)
91*†	NEMA 4
Cylinder ports open to exhaust in neutral	
22	Standard (NEMA 1 & 12) or remote
72*†	Hazardous duty (NEMA 7 & 9)
92*†	NEMA 4
Cylinder ports open to inlet in neutral	
23	Standard (NEMA 1 & 12) or remote
73*†	Hazardous duty (NEMA 7 & 9)
93*†	NEMA 4

* Voltage 49 / 53 only.
 † Use with operator options 1, 2 & 3 only, voltage 53 only.


Modulflex Series
Isys Micro Series
Isys ISO Series
Fieldbus
DX ISOMAX Series
Valvair II Series
D
Subbase & Manifold Valve Products

Plug-in Pilot


	Description	Standard service		Special service	
	Override type	Locking	Non-locking	Locking	Non-locking
	With override (120VAC)	K175903553	K175803553	K185902553	K185802553
With override (Other than 120VAC)	K1753035**	—	K1853025**	—	

** Voltage code - (reference model index for availability)

NEMA 1 & 12

	Description	Standard service		Special service	
	Override type	Locking	Non-locking	Locking	Non-locking
	Basic with override	K0653035**	—	K0853025**	—



Basic Pilot

	JIC with junction box & override	K0656035**	K0655035**	K0856025**	K0855025**
	JIC pilot with junction box & override & indicator lights (120VAC Only)	K0659035**	K0658035**	K0859025**	K0858025**

JIC Pilot

** Voltage code - (reference model index for availability)

NEMA 4, 7 & 9

	Description	Standard service		Special service	
	Override type	Locking	Non-locking	Locking	Non-locking
	Hazardous duty pilot - UL & CSA	K0251035***	—	K0451025***	—
NEMA 4 pilot	K2351035***	—	—	—	
	Hazardous duty with override	K0253035***	K0252035***	K0453025***	K0452025***
	NEMA 4 with override	—	K2353035***	K2352035***	—

Hazardous Duty

NEMA 4 Pilot

† 49 / 53 only ** Voltage code - (reference model index for availability)

Service Kits

Basic valve	Solenoid operated *						Remote pilot operated	
	Size	Series (prefix)	Standard service (intermittent duty)		Special service ** (continuous duty)		Single	Double 2 & 3-position
			Single	Double 2 & 3-position	Single	Double 2 & 3-position		
3/8"	L65	—	K352126	—	K352127	—	K352355	
	L66	—	K352126	—	K352127	—	K352355	
	L67	K352124	—	K352125	—	K352362	—	
	L68	—	K352126	—	K352127	—	K352355	
	L69	—	K352126	—	K352127	—	K352355	
	L70	K352124	—	K352125	—	K352362	—	
	L65	—	K352130	—	K352131	—	K352360	
1"	L66	—	K352130	—	K352131	—	K352360	
	L67	K352128	—	K352129	—	K352359	—	
	L68	—	K352130	—	K352131	—	K352360	
	L69	—	K352130	—	K352131	—	K352360	
	L70	K352128	—	K352129	—	K352359	—	

Notes:

* Kits for solenoid operated valves include solenoid service kits.

** Special service (continuous duty) solenoids may be identified as having gold colored solenoid tops.



Modulflex Series
 Isys Micro Series
 Isys ISO Series
 Fieldbus
 DX ISOMAX Series
 Valvair II Series
D
 Subbase & Manifold Valve Products

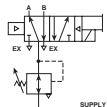
Modular Pneumatic Controls, Plug-In Sandwich Block Design for Modular Port Regulation

These modular regulators assemble to any 3/8" basic valve interface pattern.

Common Port Regulator

Pressure Adjustment	Pressure Range PSIG	Part number	
		Assembly "A"	Assembly "B"
Manual	1 - 60	L55402308C	L55408302C
	2 - 125	L55403308C	L55408303C
Remote	0 - 140	L55411308C	L55408311C

* Assembly "A" places the regulator on the end opposite the electrical junction box. Assembly "B" places the regulator over the electrical junction box.

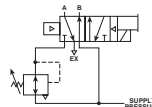


Regulated pressure at both "A" & "B"

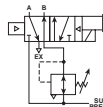
Single Port Regulator

Pressure adjustment	Pressure range PSIG	Part number	
		Cyl. port "A"	Cyl. port "B"
Manual	1 - 60	L55405307C	L55407305C
	2 - 125	L55406307C	L55407306C
Remote	0 - 140	L55414307C	L55407314C

* Assembly "A" places the regulator on the end opposite the electrical junction box. Assembly "B" places the regulator over the electrical junction box. Convert valve to external pilot.



Supply pressure at "B" & regulated at "A"

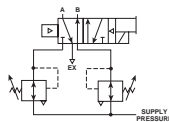


Supply pressure at "A" & regulated at "B"

Independent Port Regulator

Pressure adjustment	Cylinder port "A" PSIG	Part number	
		Cylinder port "B"	
Manual	1 - 60	L55405305C	—
Remote	0 - 140	—	L55414314C†

† Remote operator units 0-140 PSIG. Convert valve to external pilot.



Independently regulated pressure at both "A" & "B"

Blank Station Covers

Manifold assembly	Blank cover kit
K142230	3/8" Basic valve
K142231	3/8" Basic valve
K142270	3/8" Basic valve

Flush Type Hex Drive Pipe Plugs for Port Isolation

Size (NPTF)	Part number
1/8"	K21R02012L
1/4"	K21R02025L
3/8"	K21R02037L
1/2"	K21R02050L
3/4"	K21R02075L

Interchangeable Manual Override Assemblies for Solenoid Operators



Non-locking type	Locking type
K162001	K152003

Replacement Solenoid Coil

L □ □ □ □ □ □ □ □ □ □ ** Voltage Code

Voltage code	Voltage			Coil number	
	60 Hz	50 Hz	DC	Plug-In	Flying lead (19") *
49	—	—	24†	K593060 K593274‡	K593014
53	120†	110	—	K593071 K593125‡	K593025
57	240†	220	—	K593081	K593035

Notes: **Bold Face** type indicated primary coil rating.

† Indicates voltages approved for solenoid operators designed for use in hazardous locations.

* 19" Coil lead length is standard. Other lead lengths may be available, consult supplier.

‡ Assembly includes indicator light socket, less light.

Conversion Kits: Lubricated to Non-Lubricated Operation

Basic size	Operators (solenoid or remote pilot)	
	Single	Double (2-position)
3/8"	K322012	K322013

Electrical Connectors Single or Double Solenoid Valves

Basic size	Valve body		Subbase / manifold	
	Single solenoid	Double solenoid	10" leads	72" leads
3/8"	H02723	H02722	H02713	H02789
1"				



Modulflex Series

Isys Micro Series

Isys ISO Series

Fieldbus

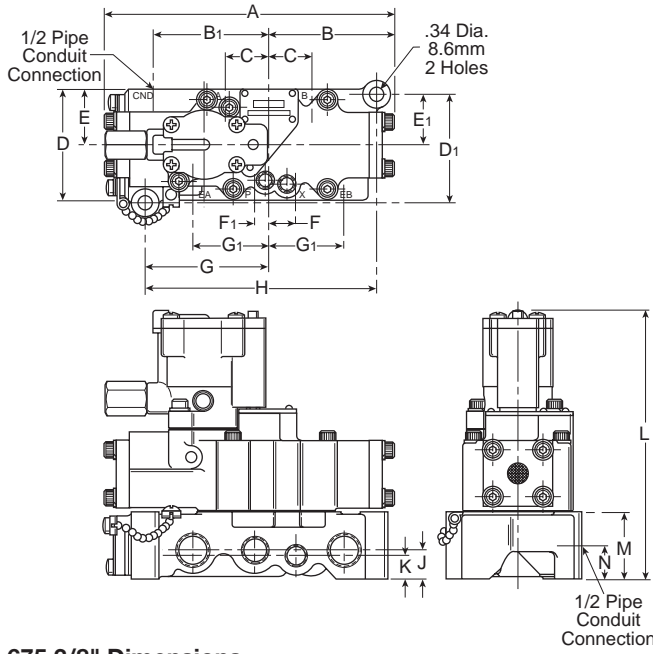
DX ISOMAX Series

Valvair II Series

D

Subbase & Manifold Valve Products

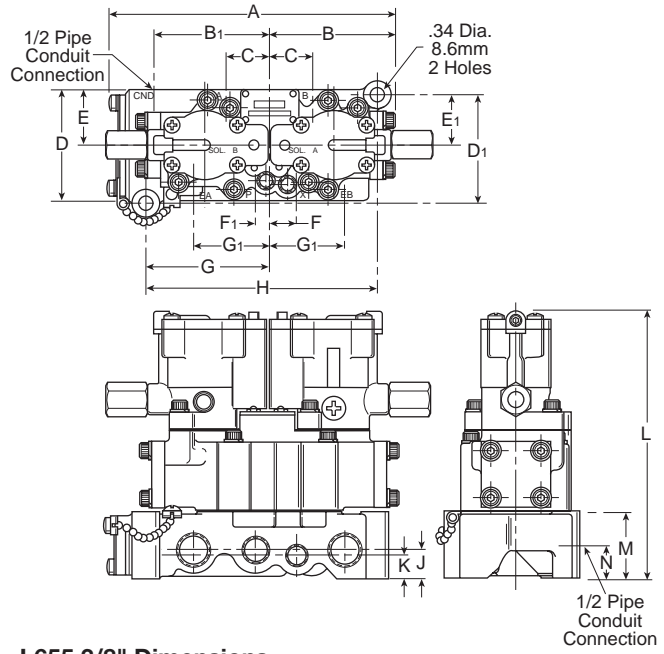
Modulflex Series
 Isys Micro Series
 Isys ISO Series
 Fieldbus
 DX ISOMAX Series
 Valvair II Series
D
 Subbase & Manifold Valve Products



L675 3/8" Dimensions

A	B	B ₁	C	D	D ₁	E	E ₁	F
7.56 (192)	3.32 (84.3)	2.94 (74.7)	1.12 (28.4)	2.88 (73.2)	2.84 (72.1)	1.44 (36.6)	1.34 (34)	.75 (19.1)
F ₁	G	G ₁	H	J	K	L	M	N
.38 (9.7)	3.16 (80.3)	2.00 (50.8)	6.03 (153.2)	.75 (19.1)	.62 (15.7)	6.93 (176)	1.75 (44.5)	1.00 (25.4)

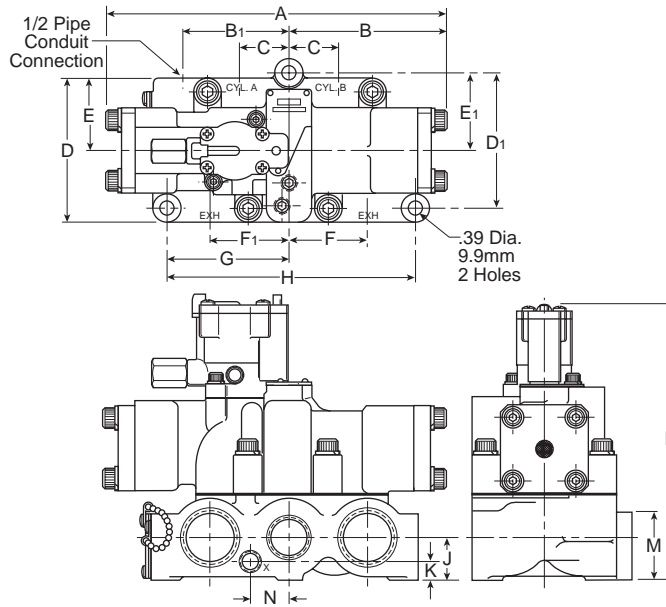
Inches (mm)



L655 3/8" Dimensions

A	B	B ₁	C	D	D ₁	E	E ₁	F
7.38 (187.5)	3.32 (84.3)	2.94 (74.7)	1.12 (28.4)	2.88 (73.2)	2.84 (72.1)	1.44 (36.6)	1.34 (34)	.75 (19.1)
F ₁	G	G ₁	H	J	K	L	M	N
.38 (9.7)	3.16 (80.3)	2.00 (50.8)	6.03 (153.2)	.75 (19.1)	.62 (15.7)	6.93 (176)	1.75 (44.5)	1.00 (25.4)

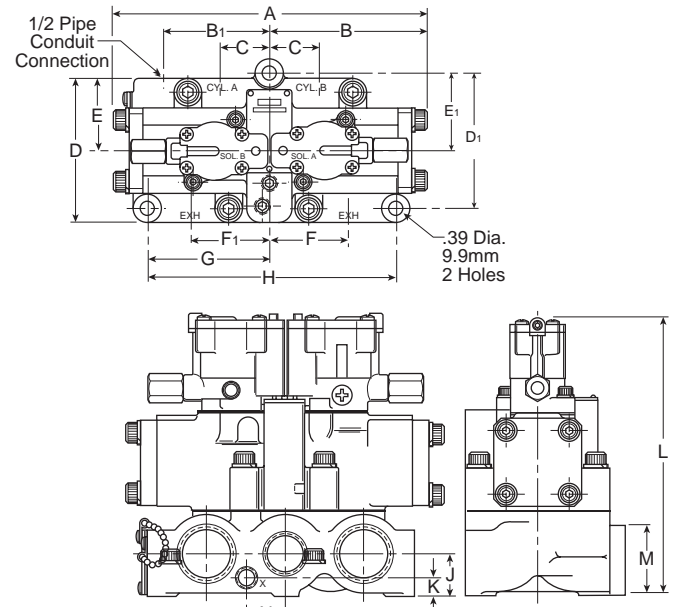
Inches (mm)



L675 1" Dimensions

A	B	B ₁	C	D	D ₁	E	E ₁	F
10.46 (265.7)	4.75 (120.6)	2.94 (74.7)	3.38 (85.8)	4.56 (115.8)	4.28 (108.7)	2.28 (57.9)	2.44 (62)	2.45 (62.2)
F ₁	G	H	J	K	L	M	N	
2.46 (62.5)	3.81 (96.8)	7.62 (193.5)	1.31 (33.3)	.59 (15)	8.74 (222)	2.09 (53.1)	1.22 (31)	

Inches (mm)

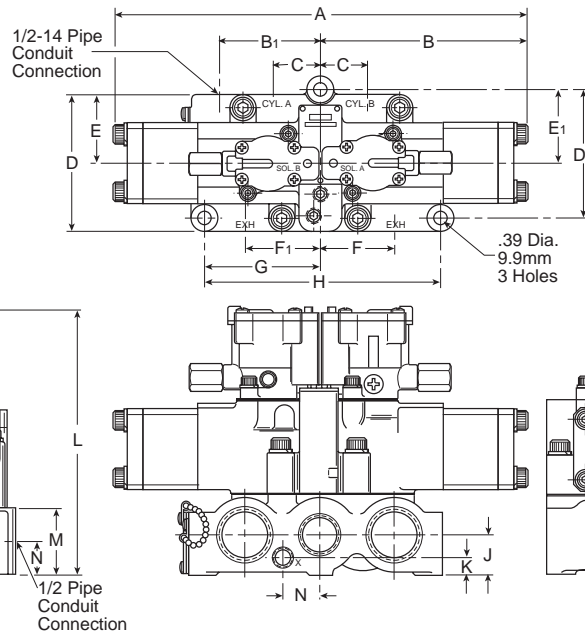
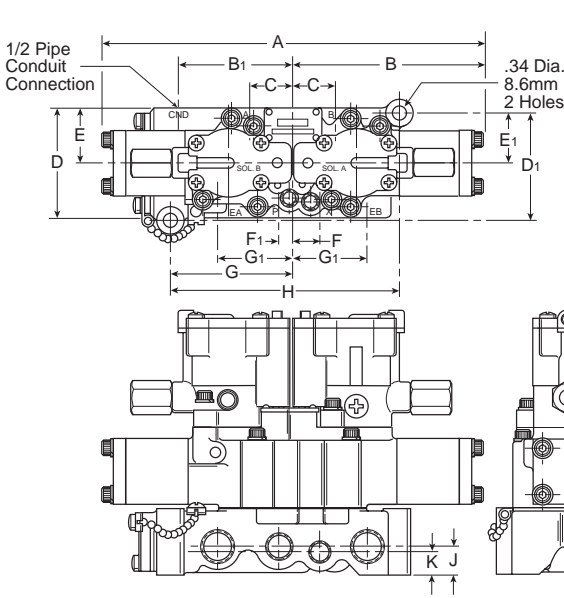


L655 1" Dimensions

A	B	B ₁	C	D	D ₁	E	E ₁	F
9.50 (241.3)	4.75 (120.6)	3.38 (85.8)	1.53 (38.9)	4.56 (115.8)	4.28 (108.7)	2.28 (57.9)	2.44 (62)	2.45 (62.2)
F ₁	G	H	J	K	L	M	N	
2.46 (62.5)	3.81 (96.8)	7.62 (193.5)	1.31 (33.3)	.59 (15)	8.74 (222)	2.09 (53.1)	1.22 (31)	

Inches (mm)





L665 3/8" Dimensions

A	B	B ₁	C	D	D ₁	E	E ₁	F
9.64	4.82	2.94	1.12	2.88	2.84	1.44	1.34	.75
(244.8)	(122.4)	(74.7)	(28.4)	(73.2)	(72.1)	(36.6)	(34)	(19.1)
F ₁	G	G ₁	H	J	K	L	M	N
.38	3.16	2.00	6.03	.75	.62	6.93	1.00	
(9.7)	(80.3)	(50.8)	(153.2)	(19.1)	(15.7)	(176)	(25.4)	

Inches (mm)

L665 1" Dimensions

A	B	B ₁	C	D	D ₁	E	E ₁	F
13.62	6.81	3.38	1.53	4.56	4.28	2.28	2.44	2.45
(345.9)	(173)	(85.8)	(38.9)	(115.8)	(108.7)	(57.9)	(62)	(62.2)
F ₁	G	H	J	K	L	M	N	
2.46	3.81	7.62	1.31	.59	8.74	2.09	1.22	
(62.5)	(96.8)	(193.5)	(33.3)	(15)	(222)	(53.1)	(31)	

Inches (mm)

Modulflex Series

Isys Micro Series

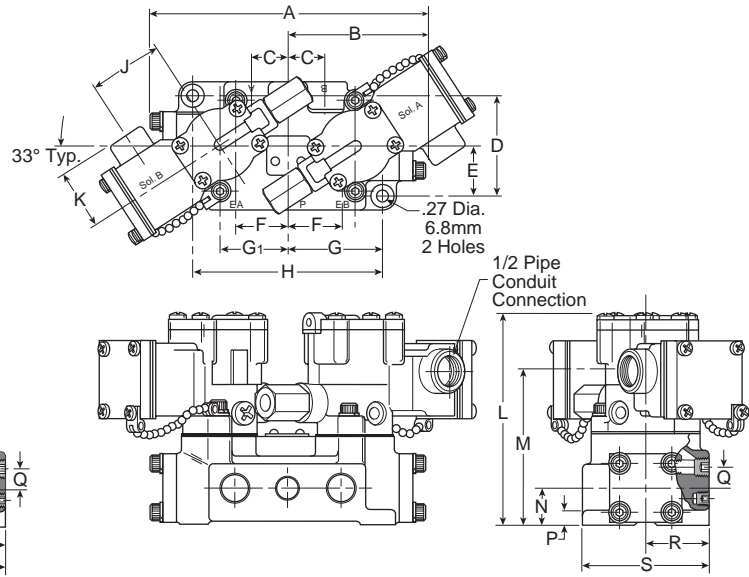
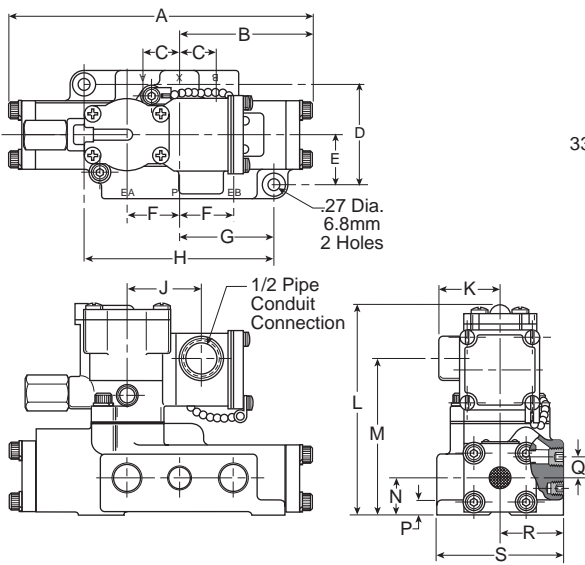
Isys ISO Series

Fieldbus

DX ISOMAX Series

Valvair II Series

D
 Subbase & Manifold Valve Products



L705 3/8" Dimensions

A	B	C	D	E	F	G	H	J
7.56	3.32	.90	2.56	1.28	1.33	2.34	4.69	1.82
(192)	(84.3)	(22.9)	(65)	(32.5)	(33.8)	(59.4)	(119.1)	(46.2)
K	L	M	N	P	Q	R	S	
1.50	5.35	3.91	.94	.38	.53	1.62	3.25	
(38.1)	(135.9)	(99.3)	(23.9)	(9.7)	(13.5)	(41.1)	(82.6)	

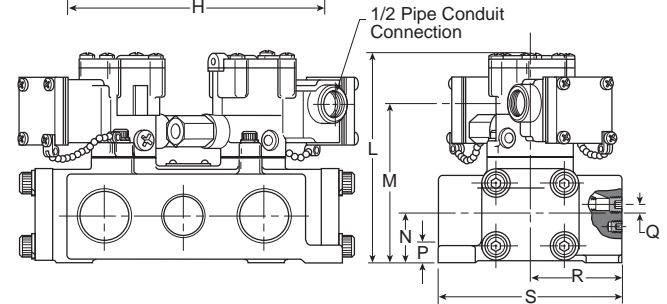
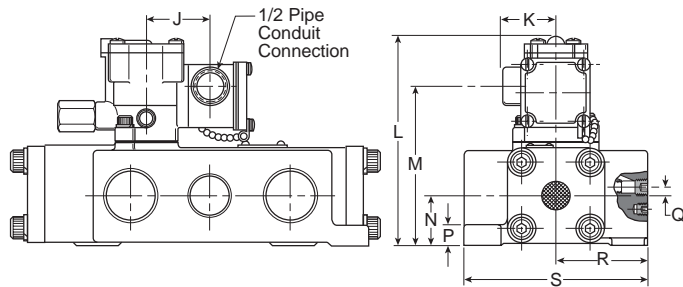
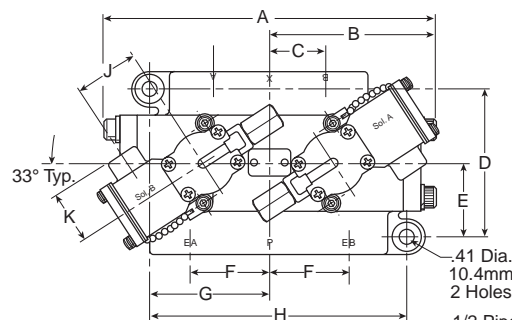
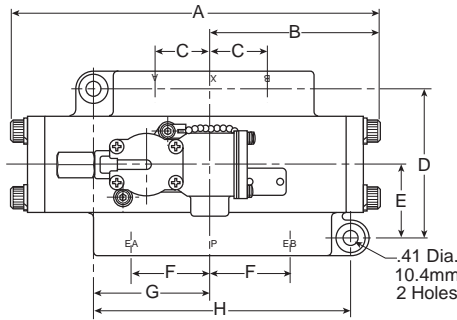
Inches (mm)

L685 3/8" Dimensions

A	B	C	D	E	F	G	G ₁	H
7.56	3.32	.90	2.56	1.28	1.33	2.34	1.66	4.69
(192)	(84.3)	(22.9)	(65)	(32.5)	(33.8)	(59.4)	(42.4)	(119.1)
J	K	L	M	N	P	Q	R	S
1.82	1.50	5.35	3.91	.94	.38	.53	1.62	3.25
(46.2)	(38.1)	(135.9)	(99.3)	(23.9)	(9.7)	(13.5)	(41.1)	(82.6)

Inches (mm)





L705 1" Dimensions

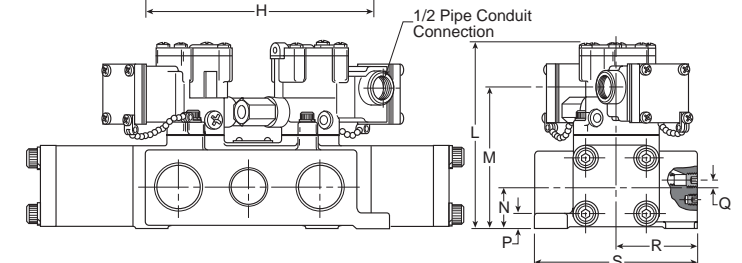
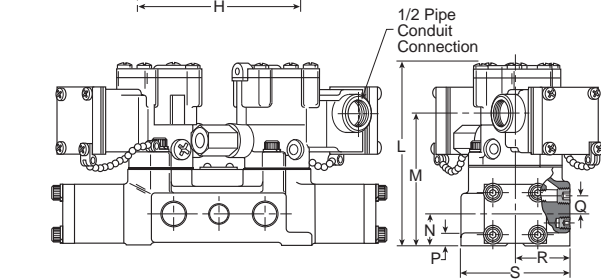
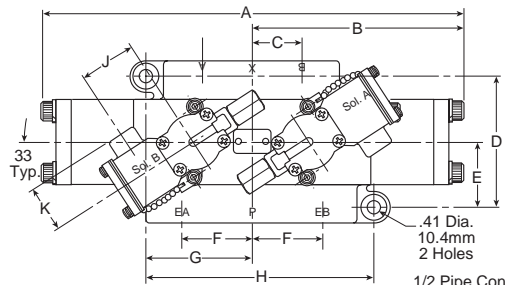
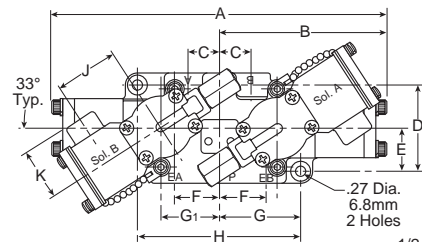
A	B	C	D	E	F	G	H	J
10.46	4.75	1.62	4.25	2.12	2.19	3.44	7.44	1.82
(265.7)	(120.6)	(41.1)	(108)	(53.8)	(55.6)	(87.4)	(189)	(46.2)
K	L	M	N	P	Q	R	S	
1.50	6.44	4.95	1.50	.69	.20	2.62	5.25	
(38.1)	(163.6)	(125.7)	(38.1)	(17.5)	(5.1)	(66.5)	(133.4)	

Inches (mm)

L685 1" Dimensions

A	B	C	D	E	F	G	H	J
9.50	4.75	1.62	4.25	2.12	2.19	3.44	7.44	1.82
(241.3)	(120.6)	(41.1)	(108)	(53.8)	(55.6)	(87.4)	(189)	(46.2)
K	L	M	N	P	Q	R	S	
1.50	6.44	4.95	1.50	.69	.20	2.62	5.25	
(38.1)	(163.6)	(125.7)	(38.1)	(17.5)	(5.1)	(66.5)	(133.4)	

Inches (mm)



L695 3/8" Dimensions

A	B	C	D	E	F	G	G1	H
9.64	4.82	.90	2.56	1.28	1.33	2.34	1.66	4.69
(244.8)	(122.4)	(22.9)	(65)	(32.5)	(33.8)	(59.4)	(42.4)	(119.1)
J	K	L	M	N	P	Q	R	S
1.82	1.50	5.35	3.91	.94	.38	.53	1.62	3.25
(46.2)	(38.1)	(135.9)	(99.3)	(23.9)	(9.7)	(13.5)	(41.1)	(82.6)

Inches (mm)

L695 1" Dimensions

A	B	C	D	E	F	G	H	J
13.63	6.81	1.62	4.25	2.12	2.19	3.44	7.44	1.82
(346.2)	(173)	(41.1)	(108)	(53.8)	(55.6)	(87.4)	(189)	(46.2)
K	L	M	N	P	Q	R	S	
1.50	6.44	4.95	1.50	.69	.20	2.62	5.25	
(38.1)	(163.6)	(125.7)	(38.1)	(17.5)	(5.1)	(66.5)	(133.4)	

Inches (mm)



Plug-in Manifold, 3/8" Basic

- K142230Cylinder ports 3/8" NPTF
- K142231Cylinder ports 1/2" NPTF
- K142270Cylinder ports 3/4" NPTF
 - Exhaust port..... 1" NPTF
 - Inlet port..... 1" NPTF
 - Conduit port..... 1-1/4" NPTF

Note: Manifold assemblies include mounting hardware.

Subbase & Manifold Valve Products	D	Valvair II Series	DX ISOMAX Series	Fieldbus	Isys ISO Series	Isys Micro Series	Modulflex Series
--------------------------------------	---	----------------------	---------------------	----------	--------------------	----------------------	---------------------