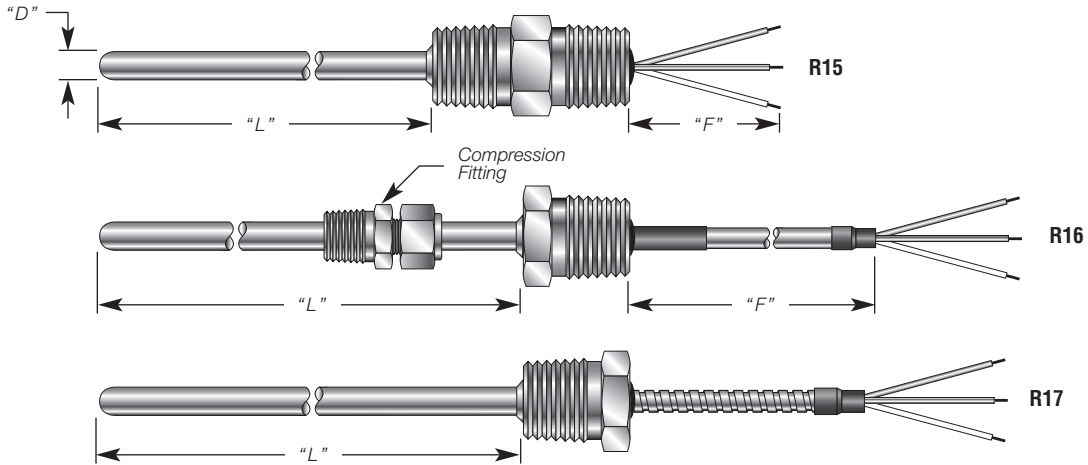


RTD R15 Series

Direct Immersion RTD with Welded Transition Fitting and Extension Cable



Custom Builder

MODEL 1 2 3 4 5 6 7 8 9 10 11

R - - - - - - - - - - -

BOX1 CODE	Temperature Range
L	Low temperature -50 to 200°C (-58/392°F)
M	Medium temperature -50 to 400°C (-58/752°F)
H	High temperature -200 to 600°C (-328/1112°F)

BOX5 CODE	Probe Diameter "D"
125	1/8"
187	3/16"
250	1/4"
312	5/16"
375	3/8"
500	1/2"

BOX8 CODE	Lead Wire Insulation "F"		
	Each Cond.	Overall Jacket	Temp. Range
TF	Teflon	Teflon	200°C (392°F)
TN	Teflon	None	260°C (500°F)
TM	Teflon	Alum. Mylar Drain Wire Teflon	200°C (392°F)
G	Glass	Glass	482°C (900°F)

Note : 1. For SS armor over extension cable, add "A" to code E.g.: **TFA**
3. For SS overbraid over extension cable, add "S" to code E.g.: **TFS**

BOX2 CODE	Element Type
P	100Ω @ 0°C, α = 0.00385 DIN EN 60751
T	1000Ω @ 0°C, α = 0.00385 DIN EN 60751

Other diameters available. Consult factory.

BOX6 CODE	Probe Material
S	Stainless steel 316/316L
I	Inconel 600

Other materials available. Consult factory.

BOX3 CODE	Element Tolerance
1	±0.12% (±0.3°C) @ 0°C, Class B
2	±0.06% (±0.15°C) @ 0°C, Class A
3	±0.04% (±0.1°C) @ 0°C, Class AA

Other tolerances available. Consult factory.

BOX7 CODE	Fitting Type
F18S	1/8" NPT
F14S	1/4" NPT
F38S	3/8" NPT
F12S	1/2" NPT
F34S	3/4" NPT
F44S	1" NPT

Note : For R16 order adjustable fitting separately if needed

BOX9 CODE	Extension Cable Length "F"
---	In inches Ex.: 060 = 60" long

Note : Extension wires 12" long and less are single stranded leads, 22 AWG

BOX4 CODE	RTD Circuit Type
S2	Single, 2 wire
S3	Single, 3 wire
S4	Single, 4 wire
D2	Dual, 2 wire
D3	Dual, 3 wire
D4	Dual, 4 wire

Note : 1. Dual RTD's require 0.187 O.D. min.
2. S3 industry standard circuit
3. S4, D4 circuits most accurate

BOX10 CODE	Terminal Type
00	Bare leads, stripped
CL	Bare leads, Closed Lugs for #6 screws

BOX11 CODE	Probe Length "L"
---	In 0.1" increments Ex.: 065 = 6.5" long