

# PALMER

*Palmer Needle Valves offer economical, quality solutions for the most demanding applications*

## Needle Valves

Needle Valves come in Brass, 316SS, and Carbon Steel.

**Material:** Brass, 316SS, and Carbon Steel.

**Bonnet:** Screwed Bonnet type.

**Stem:** Externally adjustable, wear compensating, virgin PTFE stem packing offers long trouble free service life in most liquid or gas applications.

**Connections:** Valves are available with 1/4" NPT connections in either male or female. See the Model Number Table below.

**Operating Limitations:**

**Brass:** 3000 PSI (207 bar) @100°F (38°C)

**316 SS:** 5000 PSI (345 bar) @100°F (38°C)

**Carbon Steel:** 6000 PSI (413 bar) @200°F (93°C)

**Flow Coefficient:**

Globe and Angle (.187" Orifice): 0.40 Cv

Block (.312" Orifice): 0.90 Cv

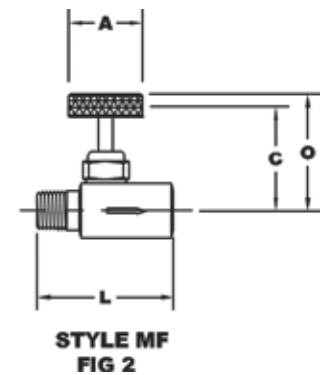
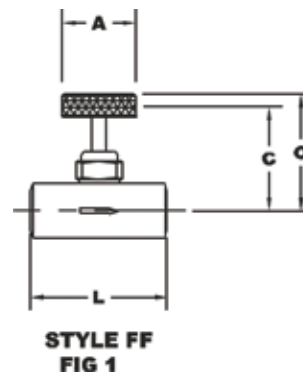
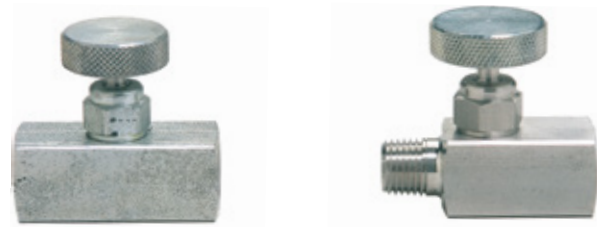
**Temperature Rating:** Kel-F Stem Tip Stem: -65 to 200°F (-54 to 93°C)

Needle Valve Model Numbers				
Material	Seat	Connection	Style	Model #
Brass	Hard	1/4" NPT	FF	NHQ-FFB*
		1/4" NPT	MF	NHQ-MFB
Carbon Steel	Soft	1/4" NPT	FF	NSQ-FFC*
		1/4" NPT	MF	NSQ-MFC
316SS	Soft	1/4" NPT	FF	NSQ-FFS
		1/4" NPT	MF	NSQ-MFS

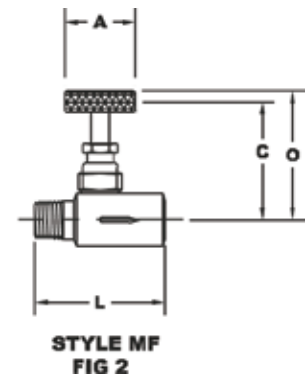
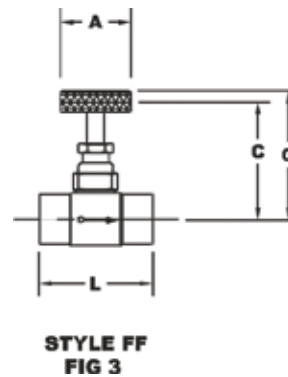
Needle Valve Dimensions					
Material	Connection	A	C	H	L
Brass	1/4" NPT	0.980"	1.935"	2.115"	1.625"
Carbon Steel	1/4" NPT	0.980"	1.730"	1.925"	1.875"
316SS	1/4" NPT	1.015"	1.790"	1.965"	1.875"

Needle Valve Body Material			
Component	Brass	316SS	Carbon Steel
Valve Body, Bonnet, Packing Nut		316SS, ASTM A479	Carbon Steel
Stem	Brass, ASTM B16	316SS, ASTM A582/Kel-F (CTFE)	304SS
Handle		Brass, ASTM B16 (Nickel Plated, ASTM689)	Carbon Steel
Set Screw	ANSI B18.3 (Alloy Steel)		Carbon Steel
Packing	PTFE		
Packing Nut	Brass, ASTM B16	Brass, ASTM B16 (Nickel Plated, ASTM689)	Carbon Steel
Tamper Proof Cap			Carbon Steel

### Stainless Steel Needle Valves



### Brass Needle Valves



Specifications subject to change without notice. Minimum order quantities may apply. \* In Stock

June 2021

Palmer Wahl Instruments, Inc. • Toll Free: 800-421-2853 • Phone: 828-658-3131 • www.palmerwahl.com



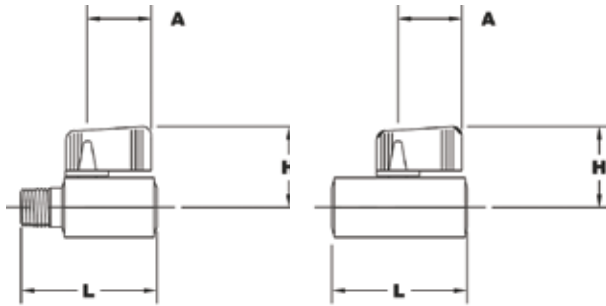
# PALMER

*Palmer Ball Valves offer economical, quality solutions for the most demanding applications*

## Ball Valves

Ball Valves come in nickel plated Brass with a hard chrome plated Brass ball. May be installed for flow in either direction. Blow-out proof stem. Black Nylon wedge handle.

Pressure and Temperature Rating: to 450 PSI and -4° to 200°F.



**STYLE MF  
FIG 6**

**STYLE FF  
FIG 8**

Ball Valve Model Numbers & Description				
Material	Seat	Connection	Style	Model #
Nickel Plated Brass	Hard Chrome Plated Brass	1/4" NPT	FF	<b>BHQ-FFB*</b>
		1/4" NPT	MF	<b>BHQ-MFB*</b>
		1/2" NPT	FF	<b>BHH-FFB*</b>
		1/2" NPT	MF	<b>BHH-MFB*</b>

Ball Valve Dimensions				
Material	Connection	A	H	L
Nickel Plated Brass	1/4" NPT	0.885"	1.122"	1.712"
	1/2" NPT	0.885"	1.200"	2.106"

Ball Valve Body Material	
Chrome Plated Body	OT58 Brass
Retainer Nut	OT58 Brass
Retainer Seat	PFE
Chrome Plated Ball	OT58 Brass
Body Seat	PFE
Unplated Stem	OT58 Brass
Screw	SS
Green O-Ring	Vitron
Black Handle	Nylon

\* In Stock