

Applications and Uses

MIST MS80 assemblies are an excellent choice where extreme operating conditions prevail in wash down situations and very wet environments. Moisture and liquids accidentally entering the enclosure no longer damage the electronics, simply clean and use again. These assemblies come standard with a 1/4" diameter probe. Larger diameters or reduced tip probes also available.

Stock Items

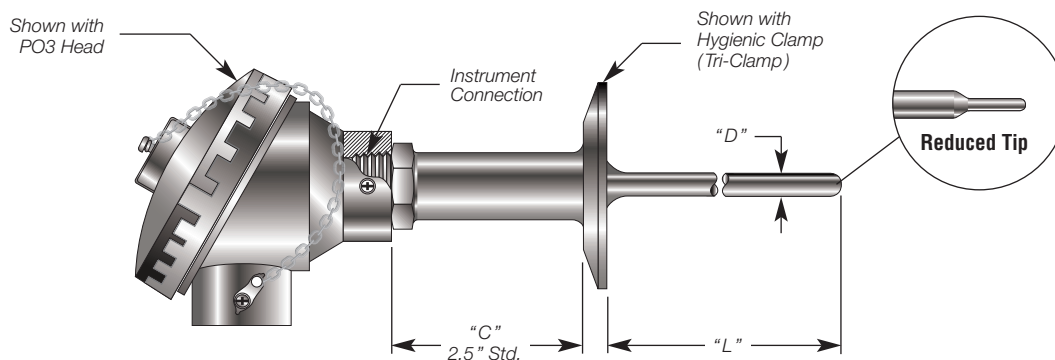
Intempco stocks the most commonly used MIST MS80 assemblies with the following features:

- *Factory calibrated 4-20 mA output to a customer specified temperature range*
- *FDA compliant white polypropylene enclosures with 3/4" NPT electrical conduit connection.*
- *Operating temperature range of -50 to 200 Deg C*
- *Built-in, fully programmable, microprocessor based transmitter*
- *Order MIST PKIT to recalibrate to other temperature ranges*
- *1.5" and 2" Hygienic Clamp sizes available*
- *Immersion lengths available are 2.5" and 4" and 6" with 1/4" probe diameters*
- *All stainless steel 316 wetted surfaces*

To order a MIST MS80 with 2" hygienic clamp union, a 4" probe with a range of -25 to 125°C, specify the inventory number and temperature range, ex. MS80L-T20040P03 (-25/125)°C on your order. To field calibrate the MIST MS80, order the Intempco MIST PKIT which includes the module and software.

Ordering Information (Order stock items using Intempco inventory number)

Catalog Number	Inventory Number	Probe Length "L"	Hygienic Clamp Union Size
MS80-L-LP-D-S-025-N25-EE-T15-P03-SF	MS80L-T15025P03	2.5"	1.5"
MS80-L-LP-D-S-040-N25-EE-T15-P03-SF	MS80L-T15040P03	4.0"	1.5"
MS80-L-LP-D-S-060-N25-EE-T15-P03-SF	MS80L-T15060P03	6.0"	1.5"
MS80-L-LP-D-S-025-N25-EE-T20-P03-SF	MS80L-T20025P03	2.5"	2"
MS80-L-LP-D-S-040-N25-EE-T20-P03-SF	MS80L-T20040P03	4.0"	2"
MS80-L-LP-D-S-060-N25-EE-T20-P03-SF	MS80L-T20060P03	6.0"	2"



Patent No.: US 7,223,014 B2
CND 2,561,570

Custom Builder

MODEL 1 2 3 4 5 6 7 8 9 10 11

MS80 - [] - [] - [] - [] - [] - [] - [] - [] - [] - 0 - []

BOX 1 CODE	Calibrated Temperature Range
05	0°C to 50°C (32/122°F)
10	0°C to 100°C (32/212°F)
15	0°C to 150°C (32/302°F)
20	0°C to 200°C (32/392°F)
55	-50°C to 50°C (-58/122°F)
51	-50°C to 150°C (-58/302°F)
52	-50°C to 200°C (-58/392°F)
L*	-50°C to 200°C (-58/392°F)
H*	-200°C to 600°C (-328/1112°F)

* Code **L** & **H** are not factory calibrated. Requires customer calibration using the **MIST PKIT**.

Notes:

- MIST Temperature Sensors™ are factory calibrated at one point to an accuracy of ±0.12°@0°C or better. See MIST specs.
- For non-standard temperature ranges, indicate desired value in °C or °F in Box1 or see web site www.intempco.com.
- Order **MIST PKIT** for sensor customization.

BOX 2 CODE	Output
LP	4-20mA loop, upscale burnout (std.)
LD	4-20mA loop, downscale burnout
VA	0-5 Vdc, 3-wire
VB	1-5 Vdc, 3-wire
VD	0-10 Vdc, 3-wire

Other outputs available. Consult factory.

BOX 3 CODE	Probe Diameter "D"	
D	1/4"	
F	3/8"	
H	1/2"	
CODE	Sheath O.D.	Tip O.D.
DB	1/4"	1/8"
FC	3/8"	3/16"
HC	1/2"	3/16"
HD	1/2"	1/4"
JD	5/8"	1/4"

Other diameters available. Consult factory.

BOX 4 CODE	Probe Material
S	Stainless steel 316/316

Other materials available. Consult factory.

BOX 5 CODE	Probe Length "L"
---	In 0.1" increments Ex.: 065 =6.5" long

BOX 6 CODE	Extension Length "C"
N---	In 0.1" increments (2.5" Std.) Ex.: N25 =2.5" long

BOX 7 CODE	Instrument Connection
EN	1/2" NPT male
EE*	1/2" NPS male

* Code **EE** is standard when ordering with a head.

BOX 8 CODE	Process Fitting Type / Size
T10	Hygienic clamp union, 1"
T15	Hygienic clamp union, 1.5"
T20	Hygienic clamp union, 2"
T25	Hygienic clamp union, 2.5"
T30	Hygienic clamp union, 3"

Other fittings available. Consult factory.

BOX 9 CODE	Head/Termination
0	No head, supplied with 6" single teflon® leads
PO*	White polypropylene screw cover, meets NEMA 4X/IP65 requirements
BA2	Bakelite screw cover, meets NEMA 4X/IP65 requirements
SS2	Machined & polished stainless steel 316/316L screw cover, meets NEMA 4X/IP66 requirements
CS*	Cast stainless steel 316 screw cover, meets NEMA 4X/IP66 requirements
CX*	Cast stainless steel, explosion proof, CSA, FM Approval Class I, Div. 1, Gps. B, C & D Class II, Div. 1, Gps. E, F & G, NEMA 4X

*2 = 1/2" NPT Conduit *3 = 3/4" NPT Conduit

BOX 11 CODE	Surface Finish
SF	32µ-in (0.8µm) Ra max. or better
F1	20µ-in (0.5µm) Ra max., w/o EP
F4	15µ-in (0.4µm) Ra max., with EP