

Applications and Uses

Intempco RS22 assemblies are an excellent choice for easy installation into a “tee”, “cross”, or directly into a sanitary tube. Cable extension options include PVC, Teflon®, Teflon® with stainless steel armor protected with Polyolefin or Teflon® shrink tubing. The probes can be ordered up to 1/2” in diameter for applications where long robust probes are required. Where space is an issue, or wiring can be made simpler, RS22 can be ordered as a bent probe after the sanitary fitting (cable side).

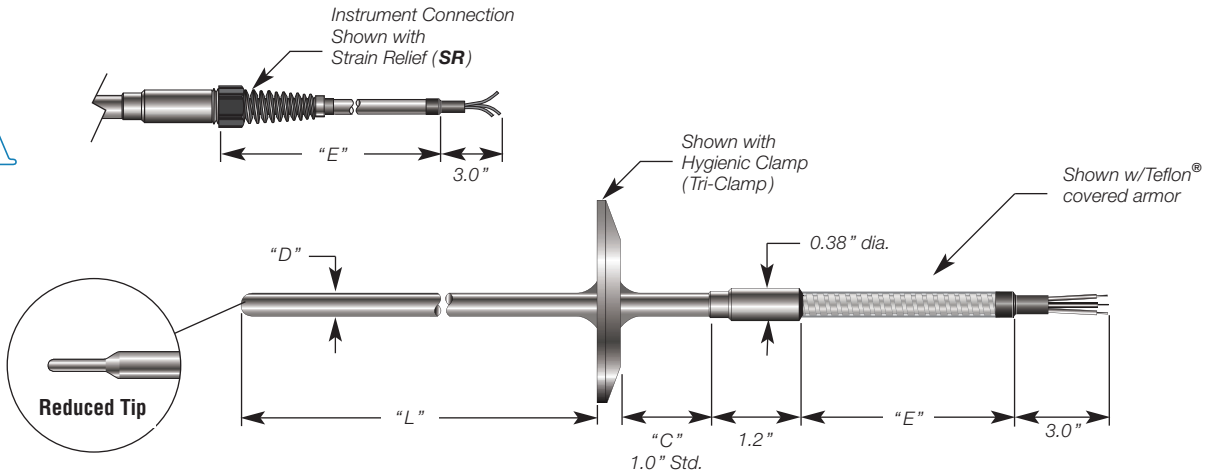
Stock Items

Intempco stocks the most commonly used RS22 style sanitary sensor assemblies with the following features :

- *Operating temperature range of -50 to 200°C (-58 to 392°F)*
- *RTD element 100 Ω DIN EN 60751, $\alpha = 0.00385 (\Omega / \Omega) / ^\circ\text{C}^{-1}$, Class A, single, 4 wire*
- *1.5” and 2” hygienic clamp union sizes available (Tri-Clamp)*
- *1/4” probe diameter, stainless steel 316*
- *Immersion lengths available are 2.5”, 4” and 6”*
- *Cable supplied is Teflon® jacketed or Teflon® shrink over SS armor , 22 AWG stranded 3-conductor, copper silver plated, 6ft long (3M)*

Ordering Information (Order stock items using Intempco inventory number)

Inventory Number (Teflon® Jacket)	Inventory Number (Teflon® Covered Armor)	Immersion Length “L”	Hygienic Clamp Union Size
RS22L-T15025TF	RS22L-T15025TT	2.5”	1.5”
RS22L-T15040TF	RS22L-T15040TT	4.0”	1.5”
RS22L-T15060TF	RS22L-T15060TT	6.0”	1.5”
RS22L-T20025TF	RS22L-T20025TT	2.5”	2.0”
RS22L-T20040TF	RS22L-T20040TT	4.0”	2.0”
RS22L-T20060TF	RS22L-T20060TT	6.0”	2.0”



Custom Builder

MODEL 1 2 3 4 5 6 7 8 9 10 11 12 13

RS22 - - - - - - - - - - - - - -

BOX1 CODE	Temperature Range
L	Low Temp. -50 to 200°C
M	Med. Temp. -50 to 400°C

BOX2 CODE	Element Type
P	100Ω @ 0°C, α = 0.00385 DIN EN 60751

Other elements available. Consult factory.

BOX3 CODE	Element Tolerance
1	±0.12% (±0.3°C) @ 0°C, Class B
2	±0.06% (±0.15°C) @ 0°C, Class A
3	±0.04% (±0.1°C) @ 0°C, Class AA

Other tolerances available. Consult factory.

BOX4 CODE	RTD Circuit Type
S2	Single, 2 wire
S3	Single, 3 wire
S4	Single, 4 wire
D2	Dual, 2 wire
D3	Dual, 3 wire

BOX5 CODE	Probe Diameter "D"	
D	1/4"	
F	3/8"	
H	1/2"	
CODE	Sheath O.D.	Tip O.D.
DB	1/4"	1/8"
FC	3/8"	3/16"
HC	1/2"	3/16"
HD	1/2"	1/4"
JD	5/8"	1/4"

Other diameters available. Consult factory.

BOX6 CODE	Probe Material
S	Stainless steel 316/316L

Other materials available. Consult factory.

BOX7 CODE	Probe Length "L"
---	In 0.1" increments Ex.: 065 = 6.5" long Ex.: 120 = 12" long

BOX8 CODE	Extension Length "C"
N--	In 0.1" increments (1.0" Std.) Ex.: N10 = 1.0" long

BOX9 CODE	Instrument Connection
N	None, smooth shank
SR	Strain Relief

Other connections available. Consult factory.

BOX10 CODE	Process Fitting Type/Size
T10	Hygienic clamp union, 1"
T15	Hygienic clamp union, 1.5"
T20	Hygienic clamp union, 2"
T25	Hygienic clamp union, 2.5"
T30	Hygienic clamp union, 3"

Other fittings available. Consult factory.

BOX11 CODE	Extension Cable Type
PV	PVC insulation, 90°C (195°F) max.
TF	Teflon® insulation, 200°C (392°F) max.
TP	Teflon® with SS armor and polyolefin shrink, 90°C (195°F) max.
TT	Teflon® with SS armor and Teflon® shrink, 200°C (392°F) max.

BOX12 CODE	Extension Cable Length "E"
---	In inches Ex.: 060 = 60" long

BOX13 CODE	Surface Finish
SF	32μ-in (0.8μm) Ra max. or better
F1	20μ-in (0.5μm) Ra max. w/o EP
F4	15μ-in (0.4μm) Ra max. with EP