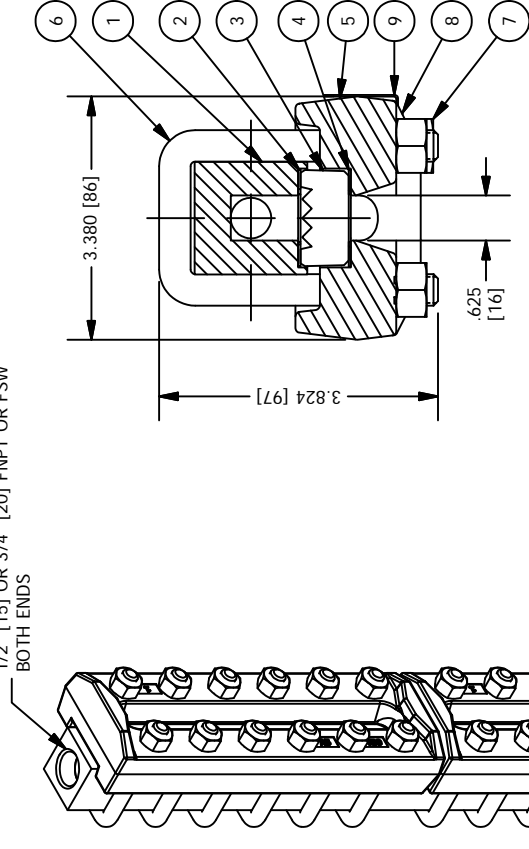


BILL OF MATERIAL (REFLEX GAGE)					
NO.	NAME OF PART	QTY.	MATERIAL	PART NO.	SPECIFICATION
1	CHAMBER, REFLEX	1	CARBON STEEL	PER ORDER	A696 GR.C/A105
2	GASKET	1 PER SECT.	IFG5500	V18980	—
3	GLASS, REFLEX	1 PER SECT.	BOROSILICATE	V16757	—
4	CUSHION	1 PER SECT.	IFG5500	V18980	—
5	COVER	1 PER SECT.	CARBON STEEL	V2 __ A5	A105
6	U-BOLT	SEE CHART	ALLOY STEEL	P256 B71	A193 GR.B7
7	HEAVY HEX NUT	SEE CHART	CARBON STEEL	V11062 2HA	A194 GR.2H
8	WASHER	2	304SS	V13936 R	—
9	TAG, RATING	1	304SS	V21864	—

- NOTES:
- DIMENSIONS IN INCHES W/ mm EQUIVALENTS IN BRACKETS.
 - REFLEX GAGE RATING VARIANCE:
 - 3270 PSI (230 KG/CM²) @ 100°F (38°C) FOR SIZE 1 GLASS (MAX. RATING)
 - 1250 PSI (88 KG/CM²) @ 800°F (427°C) FOR SIZE 9 GLASS (MIN. RATING)
 - >550°F REQUIRES GRAFOIL GASKETS
 - >600°F REQUIRES GRAFOIL GASKETS & ALUMINOSILICATE GLASS
 - MAX SATURATED STEAM RATING FOR REFLEX GAGE IS 300 WSP.
 - CATALOG BULLETIN J100.09 (FULL RATINGS & ADDITIONAL INFORMATION)
 - IOM BULLETIN J500.05 (INSTRUCTIONS)
 - PRICE SHEET BULLETINS J800.11, 12, 18 (AVAILABLE OPTIONS)
 - CONSULT FACTORY FOR ALTERNATE MATERIAL OPTIONS.
 - FOR 316SS PARTS IN CONTACT REQUESTS, CHAMBER MATERIAL IS 316/316LSS PER A511 GR.MT316/316LSS

1/2" [15] OR 3/4" [20] FNPT OR FSW BOTH ENDS

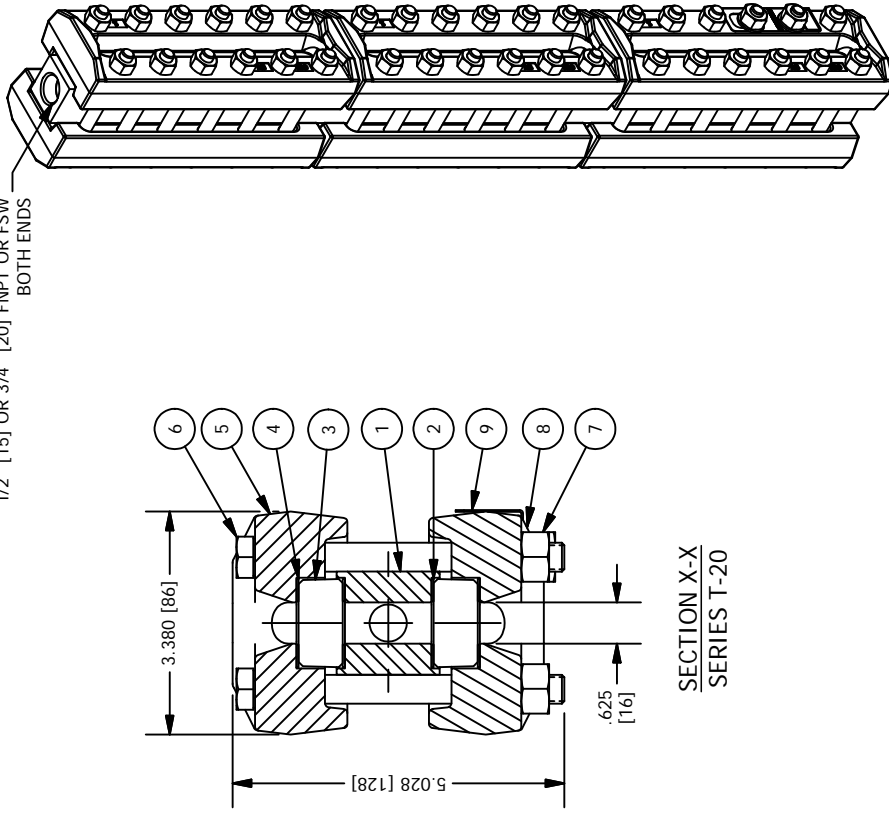


SECTION X-X
SERIES R-20

BILL OF MATERIAL (TRANSPARENT GAGE)					
NO.	NAME OF PART	QTY.	MATERIAL	PART NO.	SPECIFICATION
1	CHAMBER, TRANSPARENT	1	CARBON STEEL	PER ORDER	A696 GR.C/A105
2	GASKET	2 PER SECT.	IFG5500	V18980	—
3	GLASS, TRANSPARENT	2 PER SECT.	BOROSILICATE	V16756	—
4	CUSHION	2 PER SECT.	IFG5500	V18980	—
5	COVER	2 PER SECT.	CARBON STEEL	V2 __ A5	A105
6	BOLT	SEE CHART	ALLOY STEEL	P263 B71	A193 GR.B7
7	HEAVY HEX NUT	SEE CHART	CARBON STEEL	V11062 2HA	A194 GR.2H
8	WASHER	2	304SS	V13936 R	—
9	TAG, RATING	1	304SS	V21864	—

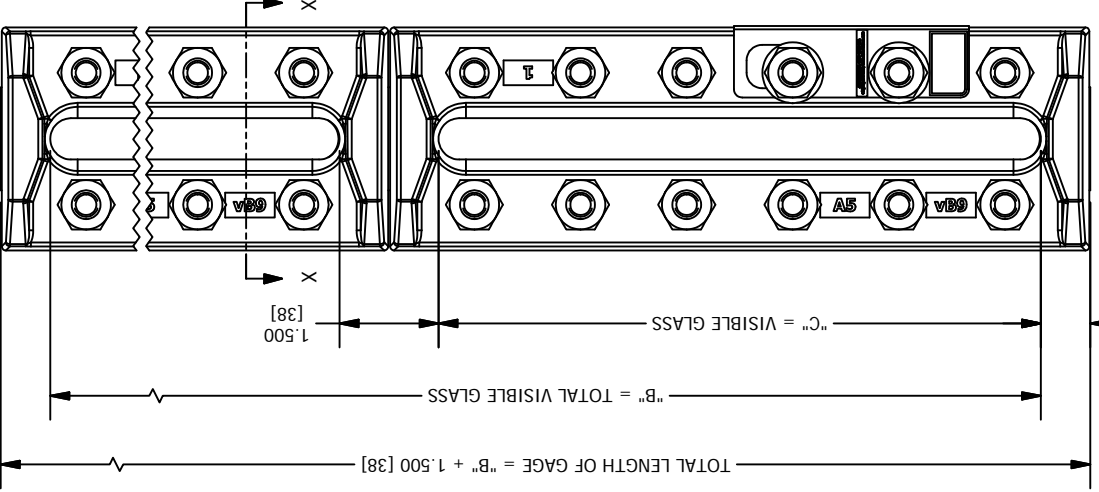
- NOTES:
- DIMENSIONS IN INCHES W/ mm EQUIVALENTS IN BRACKETS.
 - TRANSPARENT GAGE RATING VARIANCE:
 - 2000 PSI (141 KG/CM²) @ 100°F (38°C) FOR SIZE 1 GLASS (MAX. RATING)
 - 550 PSI (39 KG/CM²) @ 800°F (427°C) FOR SIZE 9 GLASS (MIN. RATING)
 - >550°F REQUIRES GRAFOIL GASKETS
 - >600°F REQUIRES GRAFOIL GASKETS & ALUMINOSILICATE GLASS
 - TRANSPARENT GAGE (W/ MICA) SATURATED STEAM RATING VARIANCE:
 - 600 WSP FOR SIZE 1 GLASS (MAX. RATING)
 - 350 WSP FOR SIZE 9 GLASS (MIN. RATING)
 - REFER TO THE FOLLOWING (FOR):
 - CATALOG BULLETIN J100.09 (FULL RATINGS & ADDITIONAL INFORMATION)
 - IOM BULLETIN J500.05 (INSTRUCTIONS)
 - PRICE SHEET BULLETINS J800.11, 12, 18 (AVAILABLE OPTIONS)
 - CONSULT FACTORY FOR ALTERNATE MATERIAL OPTIONS.
 - FOR 316SS PARTS IN CONTACT REQUESTS, CHAMBER MATERIAL IS 316/316LSS PER A511 GR.MT316/316LSS

1/2" [15] OR 3/4" [20] FNPT OR FSW BOTH ENDS



SECTION X-X
SERIES T-20

TRANSPARENT GAGE
T-20



FRONT VIEW
REFLEX & TRANSPARENT
SERIES 20 GAGES

SIZE NO.	QTY. PER SECT.	DIM. "C"	NUMBER OF SECTIONS								
			DIMENSION "B"								
1	6	3.750 [95]	1	2	3	4	5	6	7	8	9
2	6	4.750 [121]	3,750 [95]	9,000 [229]	14,250 [362]	19,500 [495]	24,750 [629]	30,000 [762]	35,250 [895]	40,500 [1029]	45,750 [1162]
3	8	5.750 [146]	4,750 [121]	11,000 [279]	17,250 [438]	23,500 [597]	29,750 [756]	36,000 [914]	42,250 [1073]	48,500 [1232]	54,750 [1391]
4	10	6.750 [171]	5,750 [146]	13,000 [330]	20,250 [514]	27,500 [699]	34,750 [883]	42,000 [1067]	49,250 [1251]	56,500 [1435]	63,750 [1619]
5	10	7.875 [200]	6,750 [171]	15,000 [381]	23,250 [591]	31,500 [800]	39,750 [1010]	48,000 [1219]	56,250 [1429]	64,500 [1638]	72,750 [1848]
6	12	9.125 [232]	7,875 [200]	17,250 [438]	26,625 [676]	36,000 [914]	45,375 [1153]	54,750 [1391]	64,125 [1629]	73,500 [1867]	82,875 [2105]
7	14	10.250 [260]	9.125 [232]	19,750 [502]	30,375 [772]	41,000 [1041]	51,625 [1311]	62,250 [1581]	72,875 [1851]	83,500 [2121]	94,125 [2391]
8	16	11.875 [302]	10.250 [260]	22,000 [559]	33,750 [857]	45,500 [1156]	57,250 [1454]	69,000 [1753]	80,750 [2051]	92,500 [2350]	104,250 [2648]
9	16	12.625 [321]	11.875 [302]	25,250 [641]	38,625 [981]	52,000 [1321]	65,375 [1661]	78,750 [2000]	92,125 [2340]	105,500 [2680]	118,875 [3019]
			12.625 [321]	26,750 [679]	40,875 [1038]	55,000 [1397]	69,125 [1756]	83,250 [2115]	97,375 [2473]	111,500 [2832]	125,625 [3191]

MANUFACTURED BY
Clark-Reliance
16633 FOLTZ PARKWAY
STRONGSVILLE, OH 44149 USA
(440) 572-1500 | www.clarkreliance.com
© Clark-Reliance Corporation. All Rights Reserved.

JERGUSON®
SERIES 20 GAGES
END CONNECTED
(CARBON STEEL)

DRAWN: DDenk
CHECKED: MK
DATE: 6/13/2013
REVISION: 2
DRAWING NO.:
20-EC-CS
REV.: **2**

REFLEX GAGE
R-20