

## Model 805 Flow Rate Indicator

### Description

The Brodie Model 805 Rate of Flow Indicator provides visual indication of flow rate for meters with a mechanical output. It consists of a right angle drive mounted directly in the meter stack-up to drive a mechanical tachometer.

The Mechanical Flow Rate Indicator has the indicator dial mounted directly in the accessory block and is driven by the tachometer.



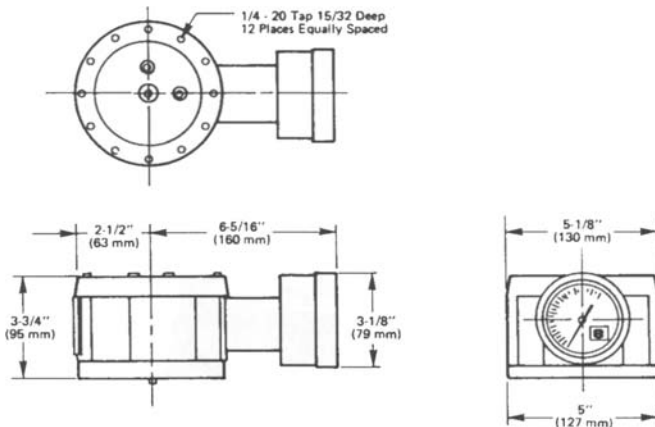
### Design Features

- Accessory block can be mounted in eight positions.
- No external power source required.
- Easily read indicator dial.
- Low torque.
- Indicator dial scale calibrated at factory for desired units.
- No periodic maintenance required.
- Ball bearings lubricated for life.

### Materials of Construction

Accessory Block Housing: Aluminum  
Adaptor Housing: Aluminum  
Ball Bearings: Stainless Steel

### Dimensions (For Certified Dimensional Prints - Consult Factory)



### WARNING

**Do NOT operate this instrument in excess of the specifications listed. Failure to heed this warning could result in serious injury and/or damage to the equipment.**

### Temperature Range

Minimum: 0°F (-18°C)

Maximum: 150°F (65°C)

### Shipping Weight and Volume (Approximate)

11 lbs @ .143 Cu. Feet

The following dial faces are standard on the Model 805:

Meters With Output One Gallon Per Rev.				Meters With Output Ten Gallon Per Rev.			
0	--	50	GPM	0	--	50	GPM
0	--	100	GPM	0	--	100	GPM
0	--	200	GPM	0	--	200	GPM
0	--	400	GPM	0	--	400	GPM
0	--	500	GPM	0	--	500	GPM
0	--	800	GPM	0	--	800	GPM
0	--	1000	GPM	0	--	1000	GPM

### Notes:

1. Units of measure other than gallons are available on request.
2. Regardless of the unit in which flow rate is expressed, the minimum meter output spindle speed required for full scale deflection is 50 rpm.

The contents of this publication are presented for informational purposes only, and while every effort has been made to ensure their accuracy, they are not to be construed as warranties or guarantees, express or implied, regarding the products or services described herein or their use or applicability. Brodie Meter Co., LLC reserves the right to modify or improve the designs or specifications of such products at any time without notice.