

## Product Features

- For non-metallic and metallic tanks
- Compact dual rod design
- Accuracy 1% of span
- 1-1/2" NPT thread standard fitting
- Heavy duty industrial design
- With Teflon fitting, all wetted surfaces Teflon

## Description

The INTEMPCO series LTX15 dual-probe level sensors are primarily designed for continuous level measurement of corrosive liquids in metallic or non-metallic reservoirs. The selection of corrosion-resistant materials used for the probe and process connection ensures that LTX15 can withstand extremely corrosive media. This sensor is ideal for swimming pools, water treatment plants, petrochemical, pharmaceutical and many other commercial and industrial applications. LTX15 is low cost and intended for OEM's.

The LTX15 level transmitter is well suited to measure the levels of very thick conductive liquids or slurries. Because the probes are some distance from each other, they will not easily clog.

The probe measures level by measuring the change in capacitance as level changes in the tank. The micro-processor-based electronics converts this capacitance change into a linear, highly accurate 4-20mA signal.

The compact, microprocessor-based design makes installation and setup a simple task. The advanced signal conditioning circuitry greatly minimizes the adverse affects of coating media.

## Applications

- Pharmaceutical plants
- Waste treatment plants
- Water storage tanks
- Chemical holding tanks
- Food and beverage industry
- Acids and very corrosive liquids

## Do Not use with

- Vegetable oils
- Fuel oils
- MEK and other solvents



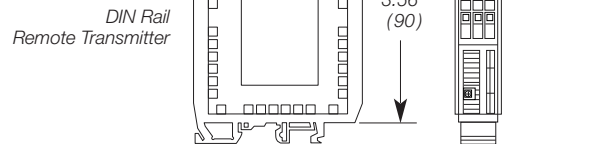
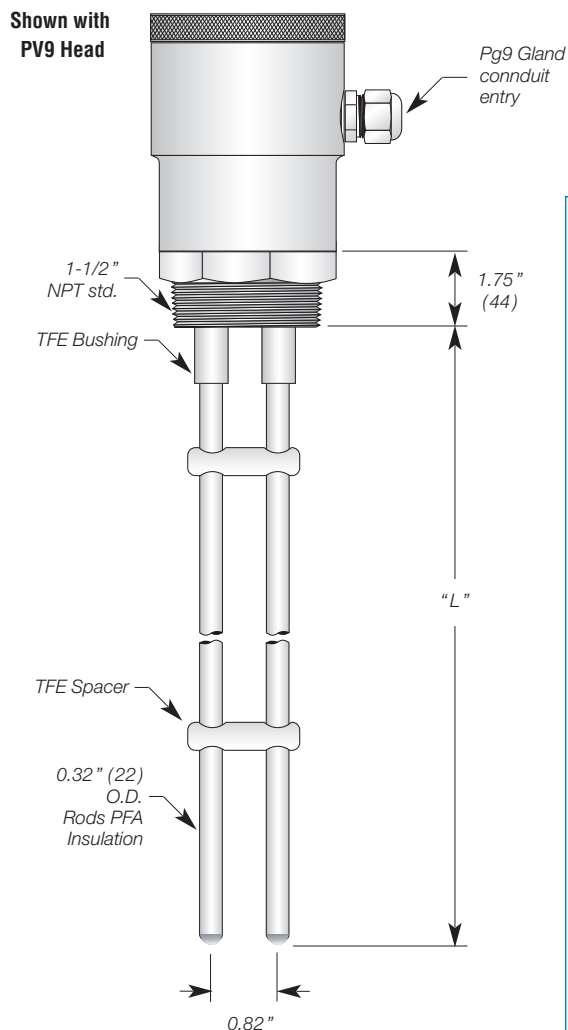
Shown with SS\* head

Shown with PV9 head

DIN Rail Remote Transmitter 4/20mA output

# LTX15 LEVEL SENSORS

Continous Capacitance Level Transmitter  
4-20 mA, Loop Powered



## Electrical Specifications

<b>Supply Voltage :</b>	12 VDC - 36 VDC
<b>Output :</b>	4-20 mA, loop powered
<b>Maximum Loop Res. :</b>	[Vs - 10] / 0.02 (i.e. 700Ω @ 24 VDC)
<b>Calibration :</b>	Via 4 push-button switches non-interactive settings
<b>Capacitance Range :</b>	10 pF to 10000 pF
<b>Accuracy :</b>	± 1% of full span (constant dielectric)
<b>Repeatability :</b>	± 0.1 % of span
<b>Damping Adjust :</b>	0 - 30 sec.
<b>Ambient Temperature :</b>	-40 to 70°C (-40 to 158°F)

## Mechanical Specifications

<b>Enclosures</b>	<b>SS2</b> : Stainless 316, NEMA 4X <b>PV2</b> : PVC, 1/2" conduit, NEMA 4X <b>PV9</b> : PVC, Pg9 Gland, NEMA 4X
<b>Mounting Thread :</b>	1-1/2" NPT standard
<b>Wetted Materials :</b>	<b>Standard Fitting</b> : 1-1/2" NPT 316SS <b>Optional Fitting</b> : PVC, CPVC or Teflon <b>Probe</b> : Fully PFA Teflon Clad
<b>Process Temperature:</b>	200°C max (392°F)-consult factory for higher temperatures
<b>Pressure Limits:</b>	<b>316 SS Fitting</b> : 100 psi (7 bar) @ 25°C (77°F) 14.5 psi (1bar) @ 200°C (392°F) <b>PVC, CPVC</b> : 50 psi (3.5 bar) @ 25°C (77°F) <b>Teflon</b> : 14.5 psi (1bar) @ 90°C (194°F)
<b>Probe Insulation Mat'l :</b>	PFA Teflon, 1/2" (12.7) O.D.

## Ordering Information :

MODEL    BOX1    BOX2    BOX3    BOX4    BOX5    BOX6  
**LTX15** -  -  -  -  -  -

BOX1 CODE	Output
LP	4-20mA, Loop Powered

BOX2 CODE	Enclosure
SS2	Stainless Steel 1/2" conduit
PV9	PVC (Pg9 Gland)
PV2	PVC with 1/2" conduit

BOX3 CODE	Fitting
S64	1-1/2" NPT Male SS316
T64	1-1/2" NPT Male Teflon
P64	1-1/2" NPT Male PVC
C64	1-1/2" NPT Male CPVC

BOX4 CODE	Probe Material
A	Teflon jacketed solid probe

BOX5 CODE	Probe Length "L"
---	In inches (20ft max.) Ex.: <b>065</b> = 65" long

BOX6 CODE	Options
DN	Remote DIN Rail Module

Note : See **Level Accessories Section** for Enclosure specifications and dimensions