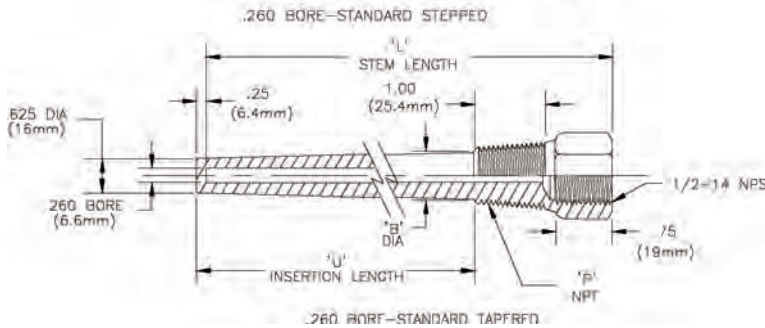


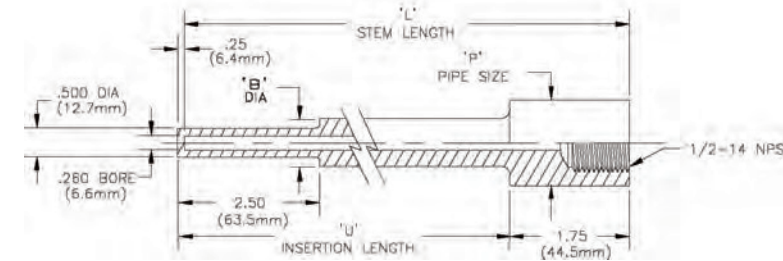
TW10

STANDARD STEPPED 0.260 BORE THREADED PROCESS CONNECTION



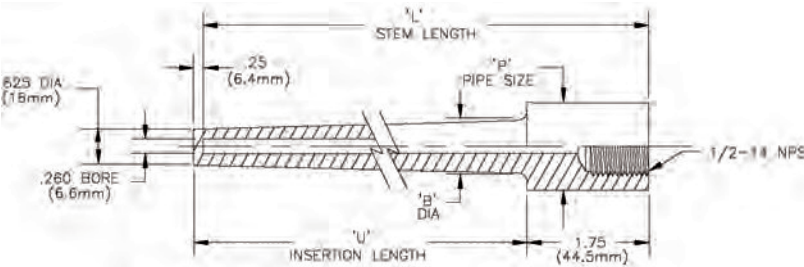
TW20

STANDARD TAPERED 0.260 BORE THREADED PROCESS CONNECTION



TW30

STANDARD STEPPED 0.260 BORE SOCKET WELD PROCESS CONNECTION



TW35

STANDARD TAPERED 0.260 BORE SOCKET WELD PROCESS CONNECTION

SOCKET WELD THERMOWELLS .260 BORE, TAPERED

Custom Builder

MODEL 1 2 3

TW__ - __ - __ - __

BOX1 CODE	Process Connection		
	"B"		"P"
	TW10 TW30	TW20 TW35	
1/2	0.63"	0.63"	1/2"
3/4	0.75"	0.88"	3/4"
1	0.88"	1.06"	1"

Other diameters and custom lengths available. Consult factory for details.

BOX2 CODE	Stem Length	
	"U"	"L"
L2.5	1.63"	2.5"
	<i>For limited space, "P" = 3/4" or 1" only</i>	
L3.13	1.63"	3.13"
L4	2.5"	4"
L6	4.5"	6"
L7.5	6"	7.5"
L9	7.5"	9"
L10.5	9"	10.5"
L12	10.5"	12"
L15	13.5"	15"
L18	16.5"	18"

BOX3 CODE	Material
SS304	Stainless steel 304/L
SS316	Stainless steel 316/L
BR	Brass ASTM B16
CS	Carbon Steel C-1010
AL	Aluminum 6061
INC	Inconel 600
MN	Monel